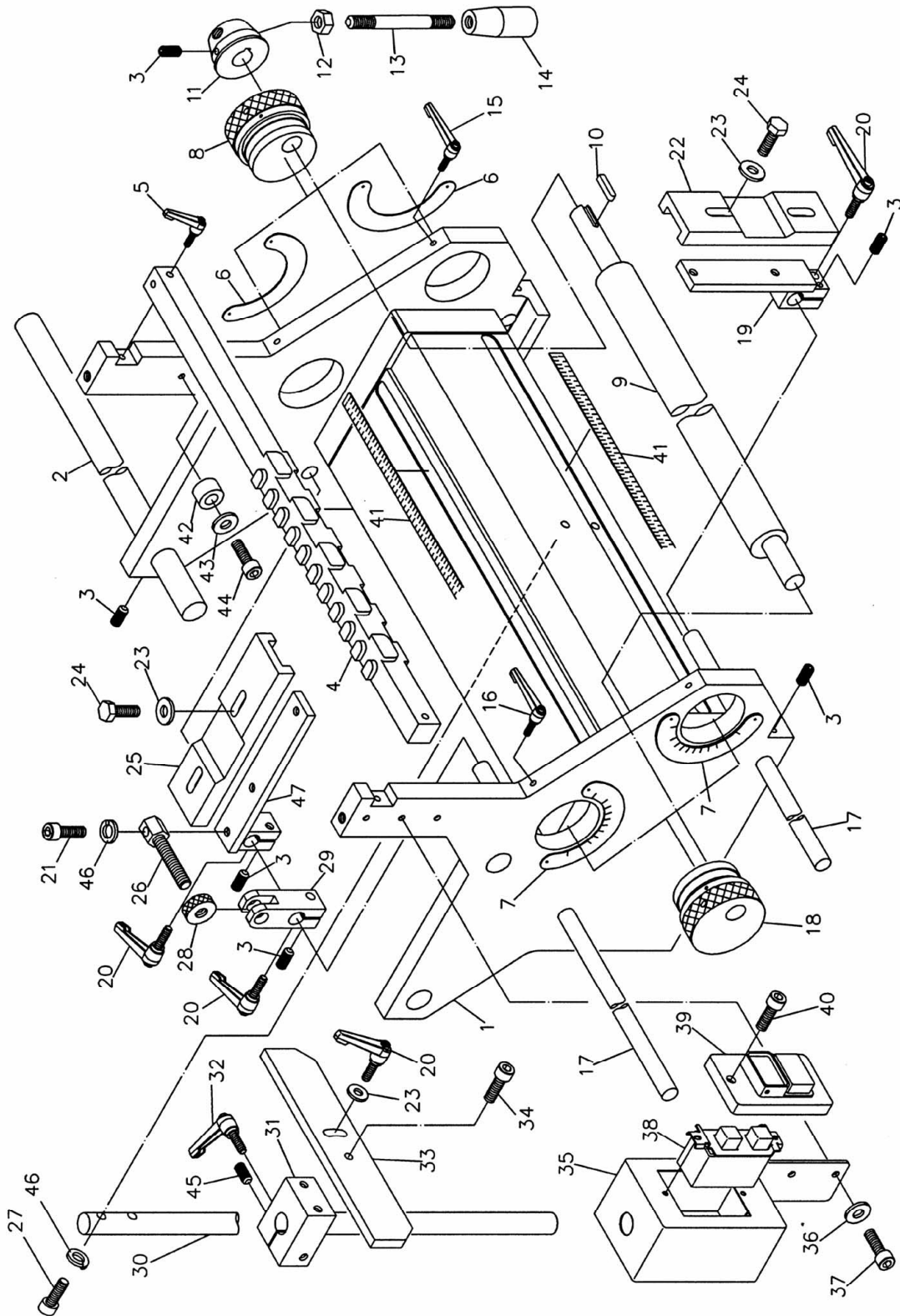


Parts List: Base Assembly

Index No.	Part No.	Description	Size	Qty
1	DT45-101	Worktable		1
2	DT45-102	Base Guide Rod		2
3	TS-1523041	Socket Set Screw	M6x12	15
4	DT45-104	Copying Template		1
5	DT45-105	Locking Handle	M6x35	2
6	DT45-106	Scale		2
7	DT45-107	Scale		2
8	DT45-108	Adjustment Piece		2
9	DT45-109	Clamp Bar		2
10	DT45-110	Key	6x6x30	2
11	DT45-111	Hub		2
12	TS-1540081	Hex Nut	M12	2
13	DT45-113	Lever		2
14	DT45-114	Handle		2
15	DT45-115	Locking Handle	M6x25	2
16	DT45-116	Locking Handle	M6x45	2
17	DT45-117	Sliding Rod		2
18	DT45-118	Adjustment Piece		2
19	DT45-119	Fence		2
20	DT45-120	Locking Handle	M8x25	6
21	TS-1504061	Socket Head Cap Screw	M8x30	1
22	DT45-122	Buffer Pad		2
23	TS-1550061	Flat Washer	M8	9
24	TS-1490031	Hex Cap Screw	M8x20	8
25	DT45-125	Buffer Pad		2
26	DT45-126	Adjustment Screw		1
27	TS-1504071	Socket Head Cap Screw	M8x35	2
28	DT45-128	Knurled Knob		1
29	DT45-129	Adjustment Seat		1
30	DT45-130	Guide Rod		1
31	DT45-131	Clamping Seat		1
32	DT45-132	Locking Handle	M8x35	1
33	DT45-133	Adjustment Plate		1
34	TS-1504041	Socket Head Cap Screw	M8x20	1
35	DT45-135	Switch Box		1
36	TS-1550041	Flat Washer	M6	2
37	TS-1503041	Socket Head Cap Screw	M6x16	2
38	DT45-138	Contacto		1
39	DT45-139	Switch Cover		1
40	TS-1502031	Socket Head Cap Screw	M5x12	2
41	DT45-141	Scale		2
42	DT45-142	Buffer Pad		2
43	TS-1550041	Flat Washer	M6	2
44	TS-1503051	Socket Head Cap Screw	M6x20	2
45	TS-1524041	Socket Set Screw	M8x16	1
46	TS-2361081	Lock Washer	M8	3
47	DT45-147	Fence		2

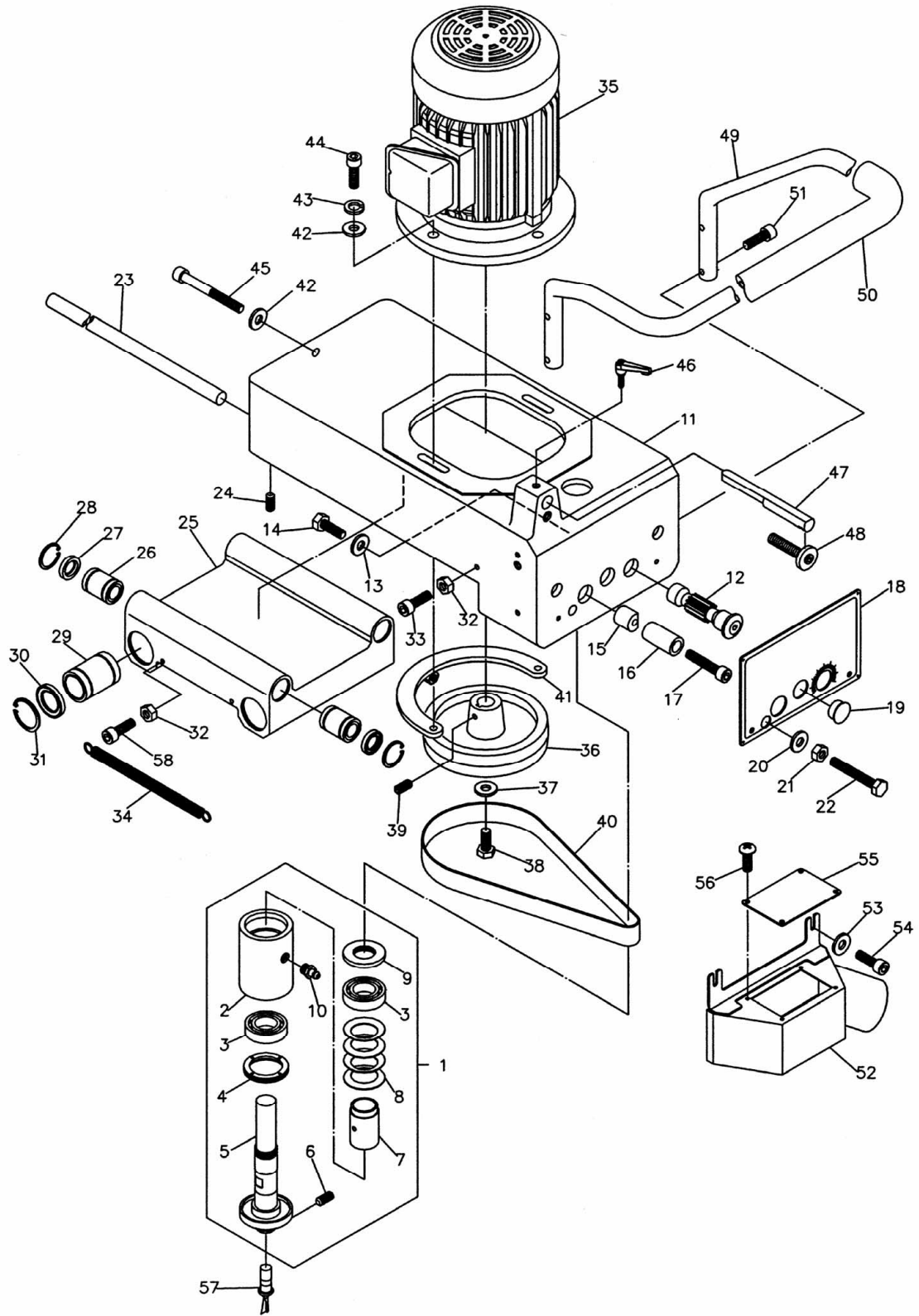
Base Assembly



Parts List: Headstock Assembly

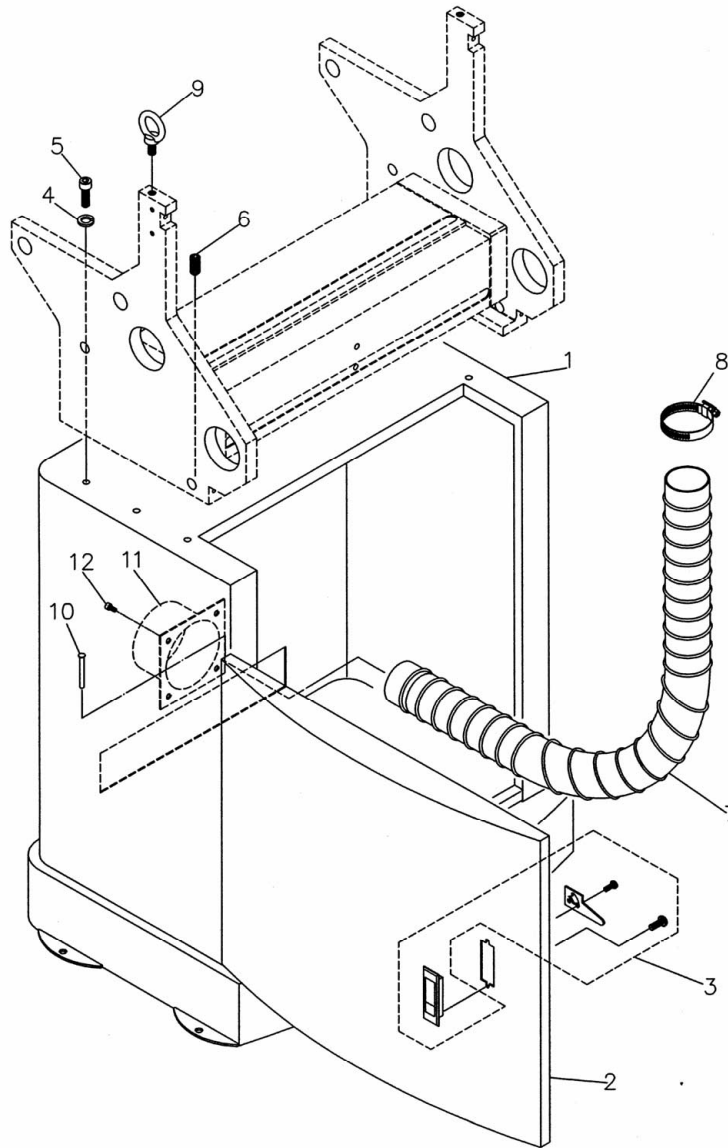
Index No.	Part No.	Description	Size	Qty
1	DT45-201	Spindle Assembly (Index #2 thru #10)		1
2	DT45-202	Spindle Bearing Housing		1
3	DT45-203	Ball Bearing (special)	6005 B.P63	2
4	DT45-204	Fixing Nut		1
5	DT45-205	Eccentric Spindle		1
6	TS-1524021	Socket Set Screw	M8x10	2
7	DT45-207	Spacer		1
8	DT45-208	Disc Spring		4
9	DT45-209	Fixing Nut		1
10	DT45-210	Grease Nipple		1
11	DT45-211	Spindle Slide Seat		1
12	DT45-212	Gear Shaft		1
13	TS-1550061	Flat Washer	M8	1
14	TS-1490031	Hex Cap Screw	M8x20	1
15	DT45-215	Clamping Piece		1
16	DT45-216	Bushing		1
17	TS-1504121	Socket Head Cap Screw	M8x60	1
18	DT45-218	Panel		1
19	DT45-219	Plug		1
20	TS-1550071	Flat Washer	M10	1
21	TS-1540071	Hex Nut	M10	1
22	DT45-222	Hex Head Bolt	M10x185	1
23	DT45-223	Guide Rod		2
24	TS-1523041	Socket Set Screw	M6x12	4
25	DT45-225	Carriage		1
26	DT45-226	Linear Bushing	LM16UU	4
27	DT45-227	Seal	16x28x7	4
28	DT45-228	Retaining Ring	R28	4
29	DT45-229	Linear Bushing	LM25UU	4
30	DT45-230	Seal	25x40x7	4
31	DT45-231	Retaining Ring	R40	4
32	TS-1540031	Hex Nut	M5	2
33	TS-1502051	Socket Head Cap Screw	M5x20	1
34	DT45-234	Spring		1
35	DT45-235	Motor		1
36	DT45-236	Motor Pulley		1
37	DT45-237	Fixing Washer		1
38	TS-1482041	Hex Cap Screw	M6x20	1
39	TS-1522031	Socket Set Screw	M5x10	1
40	DT45-240	Flat Belt	670-25	1
41	DT45-241	Belt Tension Adjustment Holder		1
42	TS-1550061	Flat Washer	M8	3
43	TS-2361081	Lock Washer	M8	2
44	TS-1504071	Socket Head Cap Screw	M8x35	2
45	TS-2238911	Socket Head Cap Screw	M8x100	1
46	DT45-246	Locking Handle	M6x20	1
47	DT45-247	Tracer Pin		1
48	DT45-248	Adjustment Screw		1
49	DT45-249	Handle		1
50	DT45-250	Sponge Coating		1
51	TS-1503071	Socket Head Cap Screw	M6x30	4
52	DT45-252	Dust Hood		1
53	TS-1550031	Flat Washer	M5	2
54	TS-1502031	Socket Head Cap Screw	M5x12	2
55	DT45-255	Window		1
56	TS-2171012	Machine Screw	M4x6	4
57	DT45-257	Cutter		1
58	TS-1502081	Socket Head Cap Screw	M5x35	1

Headstock Assembly

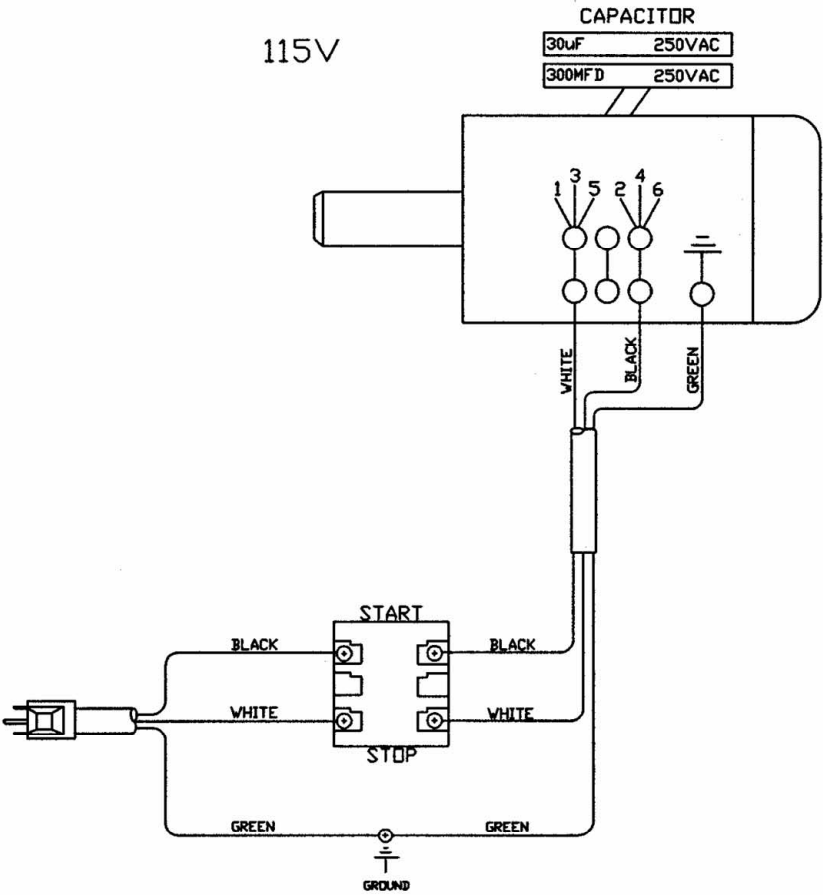


Parts List: Cabinet Assembly

Index No.	Part No.	Description	Size	Qty
1	DT45-301	Cabinet		1
2	DT45-302	Door		1
3	DT45-303	Door Latch		1
4	TS-2361081	Lock Washer	M8	6
5	TS-1504061	Socket Head Cap Screw	M8x30	6
6	TS-1524021	Socket Set Screw	M8x10	6
7	DT45-307	Flexible Hose	2-1/2"	1
8	DT45-308	Hose Clamp	2-1/2"	2
9	DT45-309	Eye Bolt	M10	2
10	DT45-310	Pin		2
11	DT45-311	Dust Chute		1
12	TS-1502031	Socket Head Cap Screw	M5x12	4



Electrical Connections – 115 volt



Electrical Connections – 230 volt

