

Router - 0 601 905 462 - 19051

www.powertools-aftersaleservice.com



BOSCH

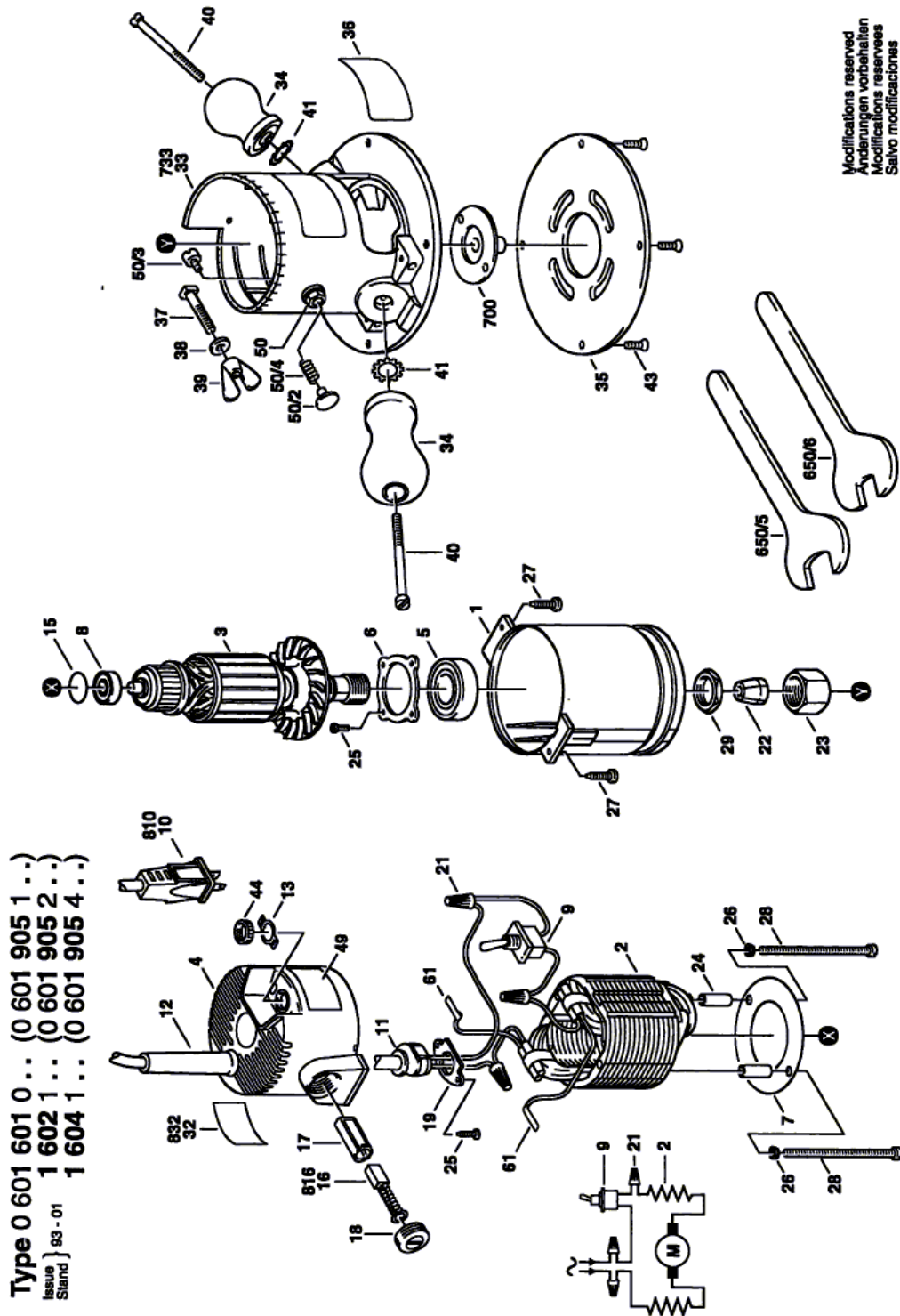
| Item | Part Number | Description | Illustration | Price | Quantity | Price Group |
|------|---------------|--------------------------------|--------------|-------|----------|-------------|
| 1 | 3 605 108 554 | Motor Housing BLUE | 1 | -,- | 1 | 37 |
| 2 | 3 604 220 546 | Field 220V | 1 | -,- | 1 | 40 |
| 3 | 3 604 011 560 | Armature 220V | 1 | -,- | 1 | 52 |
| 4 | 3 605 500 583 | Sealing cap | 1 | -,- | 1 | 33 |
| 5 | 3 600 900 517 | Deep-Groove Ball Bearing | 1 | -,- | 1 | 33 |
| 6 | 3 600 034 502 | Front Panel | 1 | -,- | 1 | 22 |
| 7 | 3 600 133 500 | Protective Washer | 1 | -,- | 1 | 13 |
| 8 | 3 600 900 515 | Deep-Groove Ball Bearing | 1 | -,- | 1 | 33 |
| 9 | 3 607 200 505 | Toggle Switch | 1 | -,- | 1 | 28 |
| 11 | 3 600 390 500 | Compression-Gland Fitting | 1 | -,- | 1 | - |
| 12 | 3 600 703 500 | Grommet | 1 | -,- | 1 | 16 |
| 13 | 3 601 023 500 | Switch Plate | 1 | -,- | 1 | - |
| 15 | 3 600 210 502 | O-Ring | 1 | -,- | 1 | 13 |
| 17 | 3 600 492 500 | Brush Holder | 1 | -,- | 2 | 13 |
| 18 | 1 619 X01 268 | Device cap | N/A | -,- | 2 | 10 |
| 19 | 3 601 023 501 | Fastening Plate | 1 | -,- | 1 | 13 |
| 21 | 3 608 098 501 | Wire Pin | 1 | -,- | 3 | 13 |
| 23 | 3 603 313 501 | Union Nut | 1 | -,- | 1 | 25 |
| 24 | 3 600 410 502 | Spacer | 1 | -,- | 2 | - |
| 25 | 3 603 429 508 | Cyl Head tapping screw | 1 | -,- | 6 | - |
| 26 | 2 916 680 006 | Spring Lock Washer DIN 127-B 5 | 1 | -,- | 2 | 10 |
| 27 | 3 603 410 501 | Socket head cap screw | 1 | -,- | 2 | 13 |
| 28 | 3 603 415 537 | Socket head cap screw | 1 | -,- | 2 | 14 |
| 29 | 3 603 301 515 | Hex Nut | 1 | -,- | 1 | 22 |
| 31 | 3 601 119 581 | Speed Indicator | N/A | -,- | 1 | 14 |
| 35 | 1 601 110 449 | Nameplate CAUTION | 1 | -,- | 1 | 11 |
| 37 | 3 603 340 500 | Threaded Ring | 1 | -,- | 1 | 14 |
| 38 | 3 600 200 532 | Inner Ring | 1 | -,- | 1 | - |
| 39 | 3 600 200 533 | Outer Ring | 1 | -,- | 1 | - |
| 41 | 3 600 499 520 | Collet Ø 1/2" | 1 | -,- | 1 | 33 |
| 44 | 3 601 119 600 | Nameplate | 1 | -,- | 2 | - |
| 810 | 3 601 119 600 | Nameplate | 1 | -,- | 2 | - |
| 816 | 3 607 014 510 | Carbon-Brush Set | N/A | -,- | 1 | 30 |

| Item | Part Number | Description | Illustration | Price | Quantity | Price Group |
|------|---------------|--------------------|--------------|-------|----------|-------------|
| 888 | 1 601 106 032 | Nameplate 26x52 MM | N/A | -,- | 1 | 13 |

Product information Router - 0 601 905 462 - 19051

| | |
|---------------------|-----------------|
| Product No | 0 601 905 462 |
| Description | 251.577; Router |
| DIN-Text | |
| ID_Text_Ext | 0 |
| Trading_Description | 19051 |
| Voltage_1 | 220 V |
| ID_Country_Product | USA |

Illustration - Type E



Information subject to change without further notice.