

Router - 0 601 905 634 - 19056

www.powertools-aftersaleservice.com



BOSCH

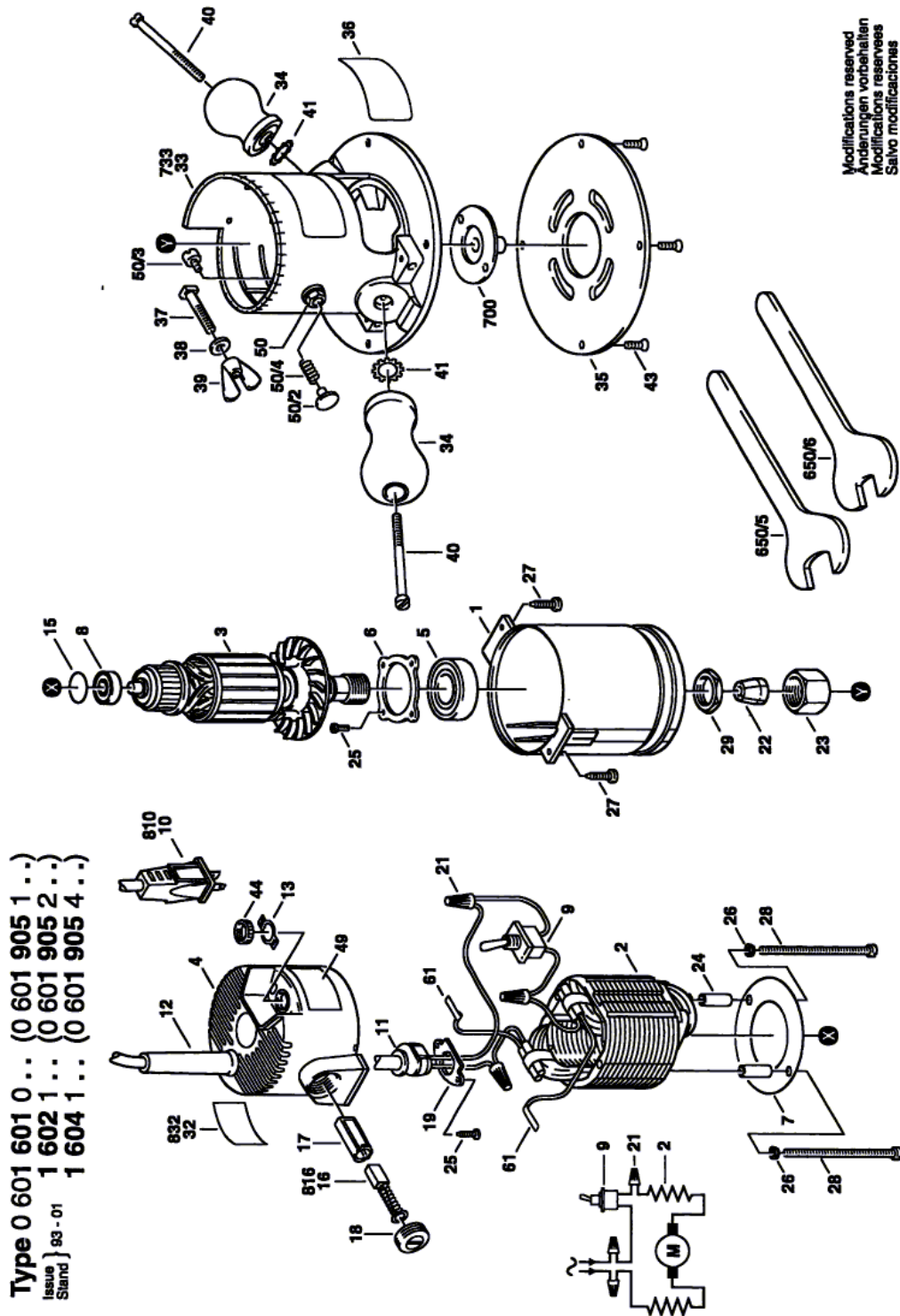
Item	Part Number	Description	Illustration	Price	Quantity	Price Group
1	3 605 108 554	Motor Housing BLUE	1	-,-	1	37
2	3 604 220 528	Field 115V	1	-,-	1	40
3	3 604 011 513	Armature 115V	1	-,-	1	50
4	3 605 500 583	Sealing cap	1	-,-	1	33
5	3 600 900 517	Deep-Groove Ball Bearing	1	-,-	1	33
6	3 600 034 502	Front Panel	1	-,-	1	22
7	3 600 133 500	Protective Washer	1	-,-	1	13
8	3 600 900 515	Deep-Groove Ball Bearing	1	-,-	1	33
9	3 607 200 505	Toggle Switch	1	-,-	1	28
10	3 604 460 528	Power supply cord	1	-,-	1	23
11	3 600 390 501	Compression-Gland Fitting	1	-,-	1	-
12	3 600 703 500	Grommet	1	-,-	1	16
13	3 601 023 500	Switch Plate	1	-,-	1	-
15	3 600 210 502	O-Ring	1	-,-	1	13
17	3 600 492 500	Brush Holder	1	-,-	2	13
18	1 619 X01 268	Device cap	N/A	-,-	2	10
19	3 601 023 501	Fastening Plate	1	-,-	1	13
21	3 608 098 501	Wire Pin	1	-,-	3	13
22	3 600 499 515	Collet	1	-,-	1	-
23	3 603 313 501	Union Nut	1	-,-	1	25
24	3 600 410 502	Spacer	1	-,-	2	-
25	3 603 429 508	Cyl Head tapping screw	1	-,-	6	-
26	2 916 680 006	Spring Lock Washer DIN 127-B 5	1	-,-	2	10
27	3 603 410 501	Socket head cap screw	1	-,-	2	13
28	3 603 415 537	Socket head cap screw	1	-,-	2	14
29	3 603 301 515	Hex Nut	1	-,-	1	22
31	3 601 119 581	Speed Indicator	N/A	-,-	1	14
35	1 601 110 449	Nameplate CAUTION	1	-,-	1	11
37	3 603 340 500	Threaded Ring	1	-,-	1	14
38	3 600 200 532	Inner Ring	1	-,-	1	-
39	3 600 200 533	Outer Ring	1	-,-	1	-
41	3 600 499 520	Collet Ø 1/2"	1	-,-	1	33
44	3 601 119 600	Nameplate	1	-,-	2	-

Item	Part Number	Description	Illustration	Price	Quantity	Price Group
56	3 603 340 500	Threaded Ring	N/A	-,-	1	14
651	3 600 499 520	Collet Ø 1/2"	N/A	-,-	1	33
810	3 601 119 600	Nameplate	1	-,-	2	-
816	3 607 014 501	Carbon-Brush Set	N/A	-,-	1	27
888	1 601 106 032	Nameplate 26x52 MM	N/A	-,-	1	13

Product information Router - 0 601 905 634 - 19056

Product No	0 601 905 634
Description	251.577; Router
DIN-Text	
ID_Text_Ext	0
Trading_Description	19056
Voltage_1	115 V
ID_Country_Product	USA

Illustration - Type E



Information subject to change without further notice.