

Drill Stand - 0 601 967 034 - 1967 EVS

www.powertools-aftersaleservice.com



BOSCH

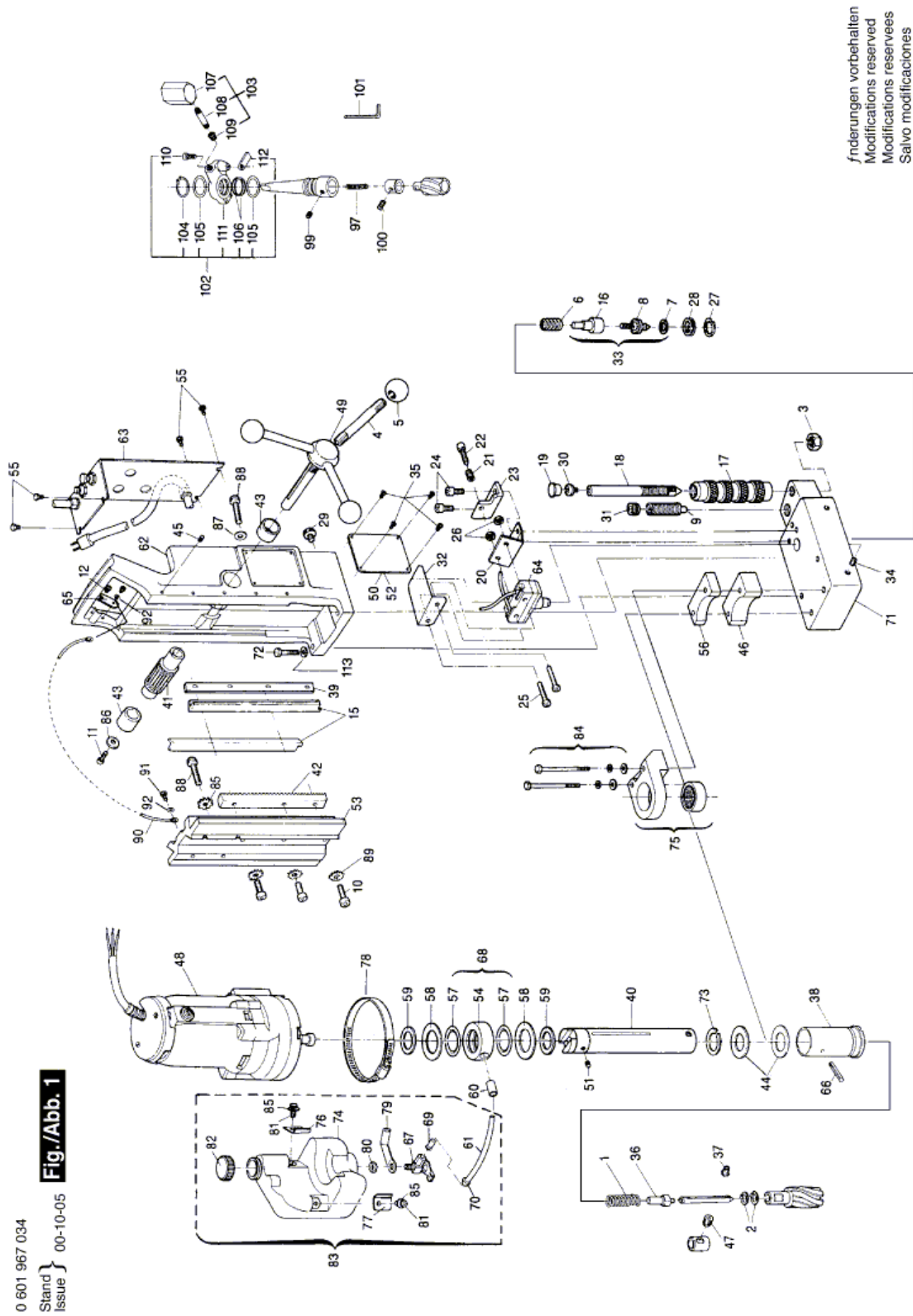
Item	Part Number	Description	Illustration	Price	Quantity	Price Group
1	1 981 000 840	Spring	1	-,-	1	-
2	1 981 000 841	Retaining snap ring	1	-,-	2	-
3	1 981 000 842	Nut	1	-,-	1	-
4	1 981 000 843	Handle	1	-,-	3	-
5	1 981 000 844	Knob	1	-,-	3	-
6	1 981 000 845	Spring	1	-,-	1	-
7	1 981 000 846	Retaining snap ring	1	-,-	1	-
8	1 981 000 847	Bearing	1	-,-	1	-
9	1 981 000 848	Shaft	1	-,-	1	-
10	1 981 000 849	Screw	1	-,-	3	-
11	1 981 000 850	Screw	1	-,-	1	-
12	1 981 000 851	Screw	1	-,-	2	-
15	1 981 000 853	Striker Bar	1	-,-	1	-
16	1 981 000 854	Plunger Bar	1	-,-	1	-
17	1 981 000 855	Slide	1	-,-	1	-
18	1 981 000 856	Slide	1	-,-	1	-
19	1 981 000 857	Brush-Cover	1	-,-	1	-
20	1 981 000 858	Mounting Bracket	1	-,-	1	-
21	1 981 000 859	Spring	1	-,-	1	-
22	1 981 000 860	Screw	1	-,-	1	-
23	1 981 000 861	Bracket Holder	1	-,-	1	-
24	1 981 000 862	Screw	1	-,-	2	-
25	1 981 000 863	Screw	1	-,-	2	-
26	1 981 000 864	Nut	1	-,-	2	-
27	1 981 000 865	Retaining snap ring	1	-,-	1	-
28	1 981 000 866	Seal	1	-,-	1	-
29	1 981 000 867	Screw	1	-,-	1	-
30	1 981 000 868	Screw	1	-,-	1	-
31	1 981 000 869	Screw Plug	1	-,-	1	-
32	1 981 000 870	Insulating Plate	1	-,-	1	-
33	1 981 000 871	Spare Part	1	-,-	1	-
34	1 981 006 005	Set screw	1	-,-	4	-
35	1 981 000 872	Screw	1	-,-	8	-

Item	Part Number	Description	Illustration	Price	Quantity	Price Group
36	1 981 000 873	Spring disk	1	-,-	1	-
37	1 981 006 001	Set screw	1	-,-	1	-
38	1 981 000 874	Connector	1	-,-	1	-
39	1 981 000 875	Strip	1	-,-	1	-
40	1 981 000 876	Base Body	1	-,-	1	-
41	1 981 000 877	Conversion Gear	1	-,-	1	-
42	1 981 000 878	Conversion Gear	1	-,-	1	-
43	1 981 000 879	Bushing	1	-,-	2	-
44	1 981 000 880	Washer	1	-,-	2	-
45	1 981 000 881	Screw	1	-,-	5	-
46	1 981 000 882	Spacer 1"	1	-,-	1	-
47	1 981 006 002	Set screw	1	-,-	1	-
48	1 981 000 883	Motor	1	-,-	1	-
49	1 981 000 963	Hub	1	-,-	1	-
50	1 981 000 884	Sticker	1	-,-	1	-
51	1 981 006 000	Set screw	1	-,-	2	-
52	1 981 000 885	Warning Plate	1	-,-	1	-
53	1 981 000 886	Slide	1	-,-	1	-
54	1 981 000 887	Bushing	1	-,-	1	-
55	1 981 000 888	Screw	1	-,-	4	-
56	1 981 000 889	Spacer 3/4"	1	-,-	1	-
57	1 981 000 890	O-Ring	1	-,-	2	-
58	1 981 000 891	Washer	1	-,-	2	-
59	1 981 000 892	Locating ring	1	-,-	2	-
60	1 981 000 893	Fitting	1	-,-	1	-
61	1 981 000 894	Sleeve	1	-,-	1	-
62	1 981 000 895	Housing	1	-,-	1	-
63	1 981 000 896	Control Unit	1	-,-	1	-
64	1 981 000 897	Toggle Switch	1	-,-	1	-
65	1 981 000 898	Clamp	1	-,-	1	-
66	1 981 000 899	Bolt	1	-,-	1	-
67	1 981 000 900	Valve	1	-,-	1	-
68	1 981 000 901	Clamp Bushing	1	-,-	1	-
69	1 981 000 902	Insert	1	-,-	1	-
70	1 981 000 903	Bushing	1	-,-	1	-
71	1 981 000 904	Magnet	1	-,-	1	-
72	1 981 000 905	Collar bolt	1	-,-	3	-
73	1 981 000 906	Retaining snap ring	1	-,-	1	-
74	1 981 000 907	Container	1	-,-	1	-
75	1 981 000 908	Support	1	-,-	1	-
76	1 981 000 909	Support	1	-,-	1	-
77	1 981 000 910	Support	1	-,-	1	-
78	1 981 000 911	Clamp	1	-,-	1	-
79	1 981 000 912	Support	1	-,-	1	-
80	1 981 000 913	Nut	1	-,-	1	-
81	1 981 000 914	Screw	1	-,-	2	-
82	1 981 000 915	Cover	1	-,-	1	-
83	1 981 000 917	Container	1	-,-	1	-
84	1 981 000 920	Collar bolt	1	-,-	1	-
85	1 981 000 921	Washer	1	-,-	6	-
86	1 981 000 922	Washer	1	-,-	1	-
87	1 981 000 923	Washer	1	-,-	1	-
88	1 981 000 851	Screw	1	-,-	4	-

Item	Part Number	Description	Illustration	Price	Quantity	Price Group
89	1 981 000 925	Washer	1	-,-	3	-
90	1 981 000 947	Earth Conductor	1	-,-	1	-
91	1 981 000 948	Screw	1	-,-	1	-
92	1 981 000 949	Washer	1	-,-	2	-
97	1 981 000 950	Spring	1	-,-	1	-
99	1 981 000 951	Screw	1	-,-	1	-
100	1 981 006 003	Set screw	1	-,-	1	-
101	1 981 000 829	Key 3/16"	1	-,-	1	-
102	1 981 000 852	Clamp Bushing	1	-,-	1	-
103	1 981 000 916	Oil Reservoir	1	-,-	1	-
104	1 981 000 918	Retaining snap ring	1	-,-	1	-
105	1 981 000 919	Washer	1	-,-	2	-
106	1 981 000 936	O-Ring	1	-,-	2	-
107	1 981 000 943	Protection Sleeve	1	-,-	1	-
108	1 981 000 955	Guide	1	-,-	1	-
109	1 981 000 956	Lengthening Piece	1	-,-	1	-
110	1 981 000 952	Screw	1	-,-	1	-
111	1 981 000 953	Base Body	1	-,-	1	-
112	1 981 000 954	Blade	1	-,-	1	-
113	1 981 000 961	Locking Washer	1	-,-	3	-
114	1 981 000 800	Connector	2	-,-	1	-
115	1 981 000 801	Grommet	2	-,-	1	-
116	1 981 000 802	Housing	2	-,-	1	-
117	1 981 000 803	Armature 115V	2	-,-	1	-
118	1 981 000 804	Bearing	2	-,-	2	-
119	1 981 000 805	Spring	2	-,-	1	-
120	1 981 000 806	Seal	2	-,-	1	-
121	1 981 000 807	Spring	2	-,-	1	-
122	1 981 000 808	Washer	2	-,-	1	-
123	1 981 000 809	Bearing	2	-,-	2	-
124	1 981 000 810	Gear Housing	2	-,-	1	-
125	1 981 000 811	Conversion Gear	2	-,-	1	-
126	1 981 000 812	Sealing Plate	2	-,-	1	-
127	1 981 000 813	Cover	2	-,-	1	-
128	1 981 000 814	Collar bolt	2	-,-	4	-
129	1 981 000 815	Washer	2	-,-	4	-
130	1 981 000 816	Bearing	2	-,-	1	-
131	1 981 000 817	Spring	2	-,-	2	-
132	1 981 000 818	Conversion Gear	2	-,-	1	-
133	1 981 000 819	Bolt	2	-,-	1	-
134	1 981 000 820	Bearing	2	-,-	1	-
135	1 981 000 821	Ball	2	-,-	1	-
136	1 981 000 822	Washer	2	-,-	1	-
137	1 981 000 823	Screw	2	-,-	2	-
138	1 981 000 824	Spacer	2	-,-	2	-
139	1 981 000 825	Stator 115V	2	-,-	1	-
140	1 981 000 826	Brush-Cover	2	-,-	2	-
141	1 981 000 827	Carbon Brush	2	-,-	1	-
142	1 981 000 828	Brush Holder	2	-,-	2	-
143	1 981 000 830	Screw	2	-,-	2	-
144	1 981 000 831	Washer	2	-,-	1	-
145	1 981 000 832	Retaining snap ring	2	-,-	1	-
146	1 981 000 833	Seal ring	2	-,-	1	-

Item	Part Number	Description	Illustration	Price	Quantity	Price Group
147	1 981 000 834	Plug	2	-,-	1	-
148	1 981 000 835	Baffle	2	-,-	1	-
149	1 981 000 836	Motor Plate	2	-,-	1	-
150	1 981 000 837	Spacer Sleeve	2	-,-	2	-
151	1 981 000 838	Screw	2	-,-	2	-
152	1 981 000 839	Power supply cord 115V 18/3	2	-,-	1	-
153	1 981 000 926	Plate	2	-,-	1	-
154	1 981 000 927	Printed-Board Assembly	2	-,-	1	-
155	1 981 000 928	Strain-Relief Clamp	2	-,-	1	-
156	1 981 000 929	Power supply cord 115V 18/3	2	-,-	1	-
157	1 981 000 930	Grommet	2	-,-	1	-
158	1 981 000 931	Spacer	2	-,-	2	-
159	1 981 000 932	Electronic Module	2	-,-	1	-
160	1 981 000 933	Toggle Switch	2	-,-	1	-
161	1 981 000 934	Toggle Switch	2	-,-	1	-
162	1 981 000 933	Toggle Switch	2	-,-	1	-
163	1 981 000 934	Toggle Switch	2	-,-	1	-
164	1 981 000 937	Button-Head Rivet	2	-,-	1	-
165	1 981 000 938	Button-Head Rivet	2	-,-	2	-
166	1 981 000 935	Button-Head Rivet	2	-,-	2	-
167	1 981 000 939	Lead Wire	2	-,-	1	-
168	1 981 000 940	Electronic Module	2	-,-	1	-
169	1 981 000 941	Knob	2	-,-	1	-
170	1 981 000 942	Washer	2	-,-	2	-
171	1 981 000 923	Washer	2	-,-	2	-
172	1 981 000 944	Hex Nut	2	-,-	2	-
173	1 981 000 945	Screw	2	-,-	2	-
174	1 981 000 946	Seal	2	-,-	1	-
175	1 981 000 957	Spacer 1/2"	2	-,-	1	-
176	1 981 000 958	Spacer 1"	2	-,-	1	-
177	1 981 000 959	Spacer 3/8"	2	-,-	2	-
178	1 981 000 960	Circuit Unit	2	-,-	1	-
179	3 609 391 500	Thermal Conduction Compou	2	-,-	1	40

Illustration - Type E



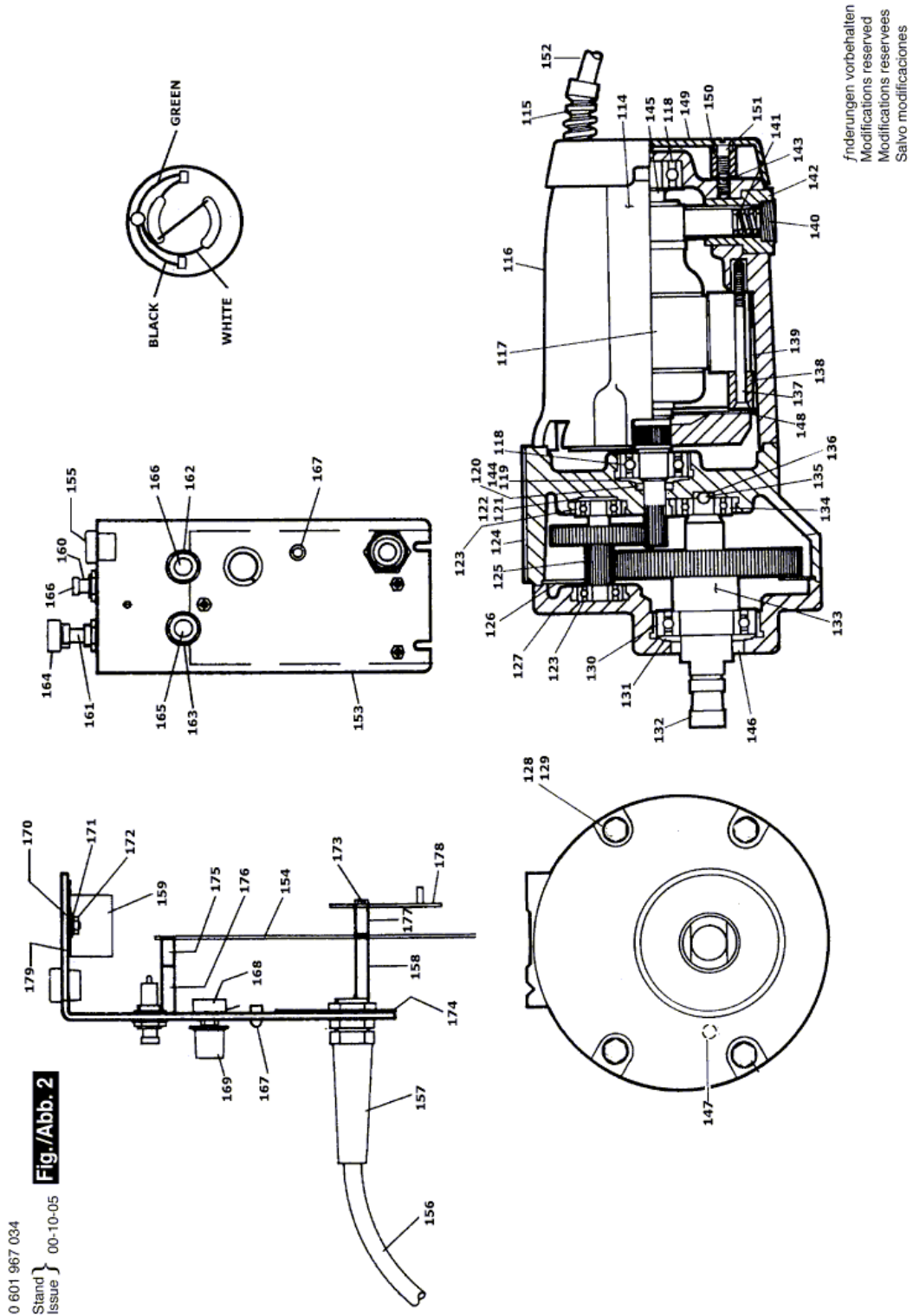
0 601 967 034

Fig./Abb. 1

Stand }
Issue } 00-10-05

Änderungen vorbehalten
Modifications reserved
Modificaciones reservadas
Salvo modificaciones

Illustration - Type E



Information subject to change without further notice.