

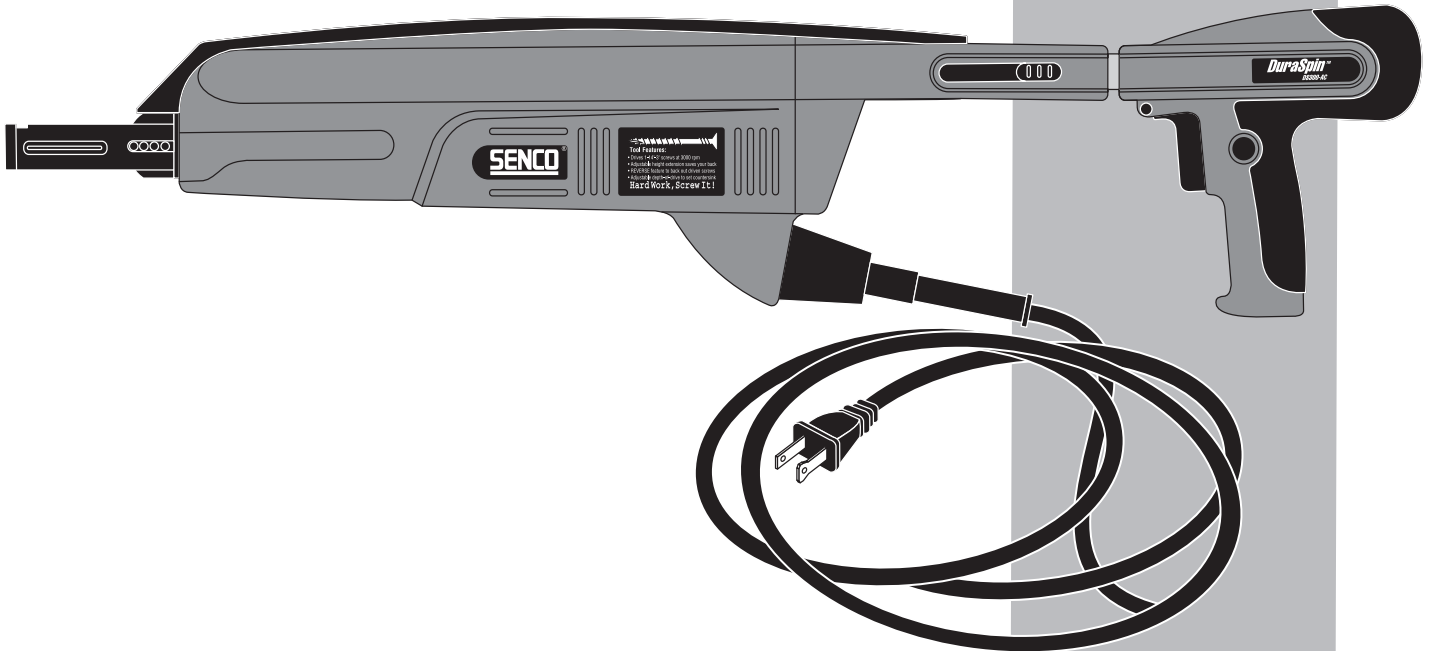


DuraSpin®

Screw Fastening System



Parts Reference Guide



* Schematic Drawings inside

DS300-AC

Senco Products Inc.
8485 Broadwell Road
Cincinnati, Ohio 45244

Questions? Comments? call SENCO's toll-free Action-line:
1-800-543-4596 (North and South America Only)
or e-mail: toolprof@senco.com

Visit Our Website: www.senco.com

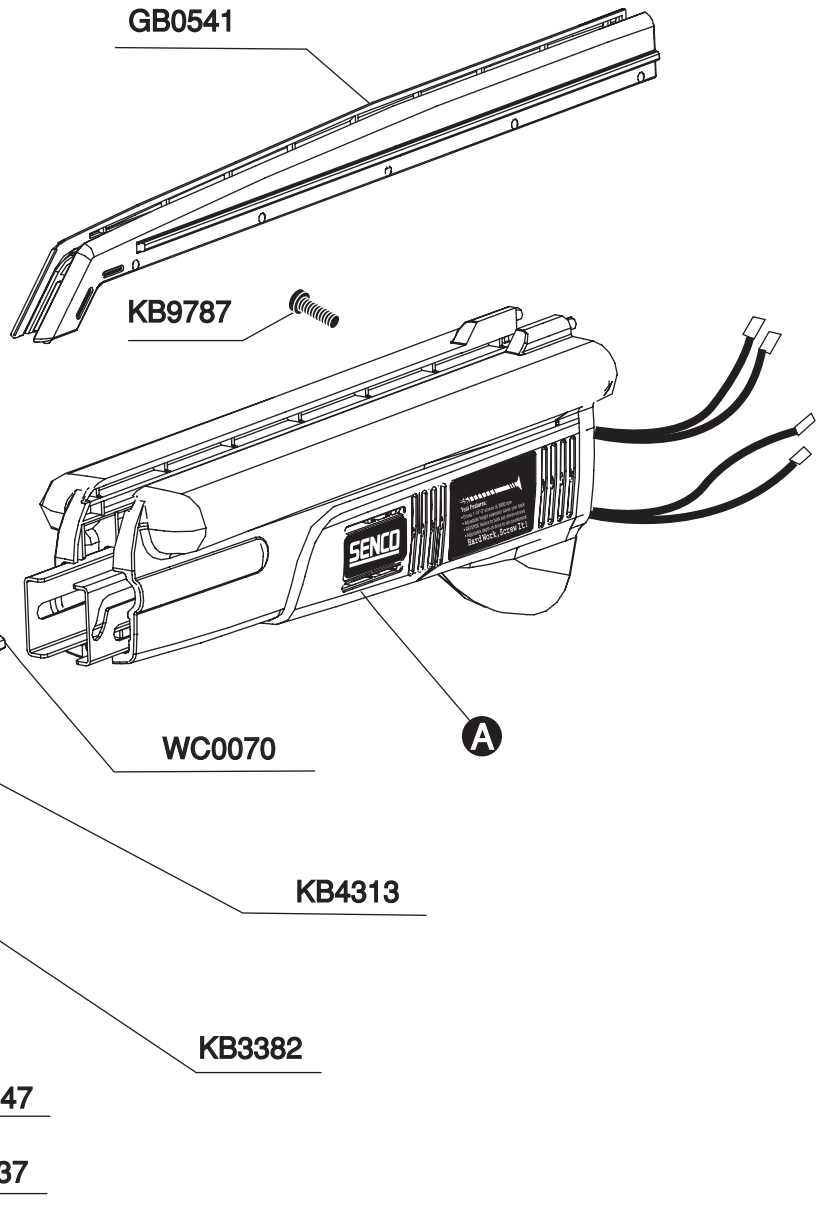
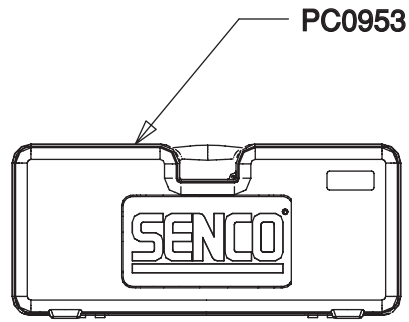
NFG01P Revised July 8, 2003 (Replaces 11/21/02) © 2002, 2003 by SENCO Products, Inc. Cincinnati, Ohio 45244-U.S.A.

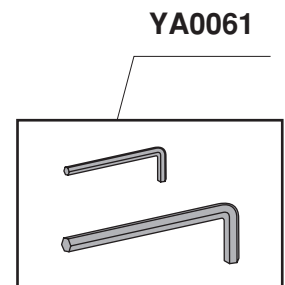
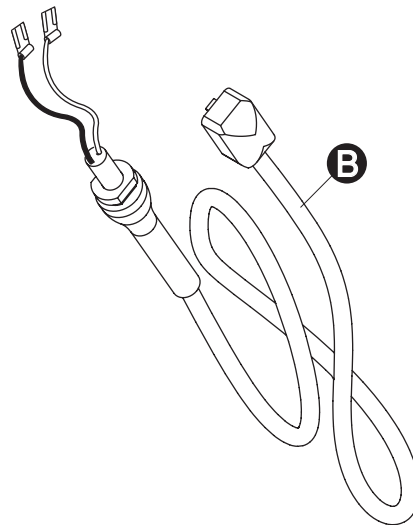
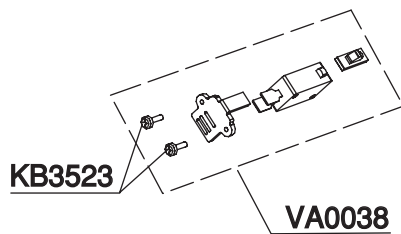
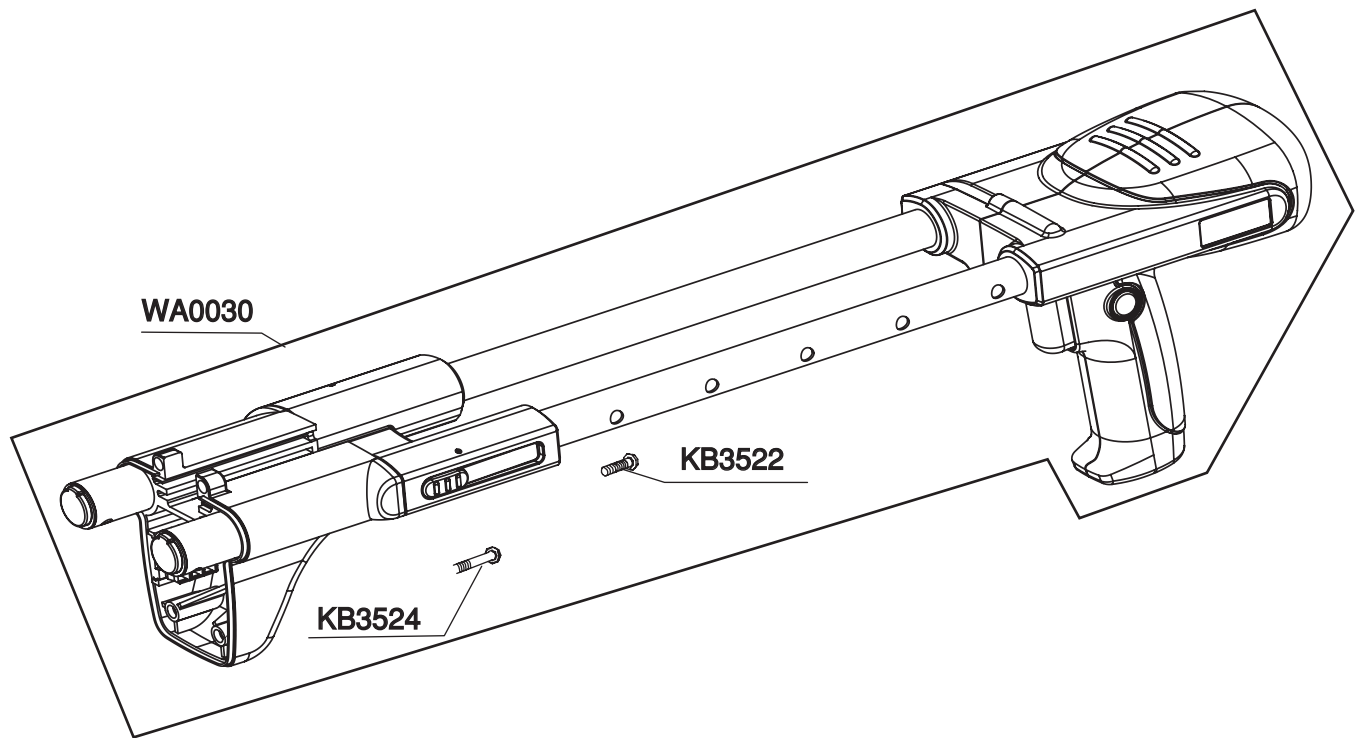
DS300-AC



Nose Piece Assy	C (Wood)
US	FA0232
Euro/S.America	FA0233
Australia	FA0233
UK	FA0233

Bits	D
Phillips Tip	EA0142
Square Tip	EA0143





MODEL	Drive Motor Assembly	A	B
1P0001N	US (120V - 60Hz)	VA0040	VB0060
1P2001N	EURO / S. America (230V - 50Hz)	VA0047	VB0061
1P3001N	AU (230V - 50Hz)	VA0047	VB0062
1P7001N	UK (230V - 50Hz)	VA0047	VB0063
1P7002N	UK (110V - 50Hz)	VA0048	VB0063

PART NO.	DESCRIPTION	DESCRIPCIÓN	BESCHREIBUNG	DÉSIGNATION
EA0142	SCREW BIT (Phillips No.2)	BROCA DE TORNILLO	SCHRAUBENDREHERBIT	BROCHE À VIS
EA0143	SCREW BIT (Square)	BROCA DE TORNILLO	SCHRAUBENDREHERBIT	BROCHE À VIS
FA0227	NON-SKID PAD	ANTIDESLIZANTE PISTA	GLEITSICHERE AUFLAGE	ANTIDÉBRANPANTE GARNITURE
FA0230	SLIDE BODY ASSEMBLY	CONJUNTO DE CUERPO DESLIZANTE	BAUGRUPPE GLEITGEHÄUSE	ASSEMBLAGE BLOC GLISSIÈRE
FA0232	NOSE PIECE US (Wood)	PIEZA DE LA BOCA US (Wood)	NASENSTÜCK US (Wood)	EMBOU US (Wood)
FA0233	NOSE PIECE CE (Wood)	PIEZA DE LA BOCA CE (Wood)	NASENSTÜCK CE (Wood)	EMBOU CE (Wood)
GB0541	GUIDE TRACK ASSEMBLY	ASAMBLEA DE LA PISTA DE LA GUÍA	FÜHRER-SCHIENE	ASSEMBLÉE DE VOIE DE GUIDE
GC0647	ROLLER	RODILLO	ROLLE	GALET
KB0017	SCREW	TORNILLO	SCHRAUBE	VIS
KB3382	SCREW	TORNILLO	SCHRAUBE	VIS
KB3435	SCREW	TORNILLO	SCHRAUBE	VIS
KB3437	SCREW	TORNILLO	SCHRAUBE	VIS
KB3522	SCREW	TORNILLO	SCHRAUBE	VIS
KB3523	SCREW	TORNILLO	SCHRAUBE	VIS
KB3524	SCREW	TORNILLO	SCHRAUBE	VIS
KB4313	RETURN SPRING	MUELLE	FEDER	RESSORT
KB9787	SCREW	TORNILLO	SCHRAUBE	VIS
PC0956	CARRYING CASE	MALETÍN	HANDKOFFER	MALLETTE
YA00061	WRENCH KIT	CONJUNTO	EINBAUSATZ	KIT
VA0038	SWITCH	INTERRUPTOR	SCHALTER	COMMUTATEUR
VA0040	DRIVE MOTOR ASSEMBLY (120V)	ASAMBLE DE IMPULSOR MOTOR (120V)	ANTRIEBSMOTOR-ZUSAMMENBAU (120V)	ENTRA MOTEUR D'ASSEMBLÉE
VA0047	DRIVE MOTOR ASSEMBLY (230V)	ASAMBLE DE IMPULSOR MOTOR (230V)	ANTRIEBSMOTOR-ZUSAMMENBAU (230V)	ENTRA MOTEUR D'ASSEMBLÉE
VA0048	DRIVE MOTOR ASSEMBLY (UK-110)	ASAMBLE DE IMPULSOR MOTOR (UK-110)	ANTRIEBSMOTOR-ZUSAMMENBAU (UK-110)	ENTRA MOTEUR D'ASSEMBLÉE
VB0060	ELECTRIC CORD (US)	CUERDA ELÉTRICA	ELEKTRISCHES NETZKABEL	CORDE ÉLECTRIQUE
VB0061	ELECTRIC CORD (EURO)	CUERDA ELÉTRICA	ELEKTRISCHES NETZKABEL	CORDE ÉLECTRIQUE
VB0062	ELECTRIC CORD (AUSTRALIA)	CUERDA ELÉTRICA	ELEKTRISCHES NETZKABEL	CORDE ÉLECTRIQUE
VB0063	ELECTRIC CORD (UK)	CUERDA ELÉTRICA	ELEKTRISCHES NETZKABEL	CORDE ÉLECTRIQUE
WA0030	HANDLE ASSEMBLY	ASAMBLE DE MANGO	HANDGRIFF-ZUSAMMENBAU	POIGNÉE D'ASSEMBLÉE
WC0070	BIT HOLDER	SOSTENEDOR DEL PEDACITO	SPITZE HALTER	SUPPORT DE PEU