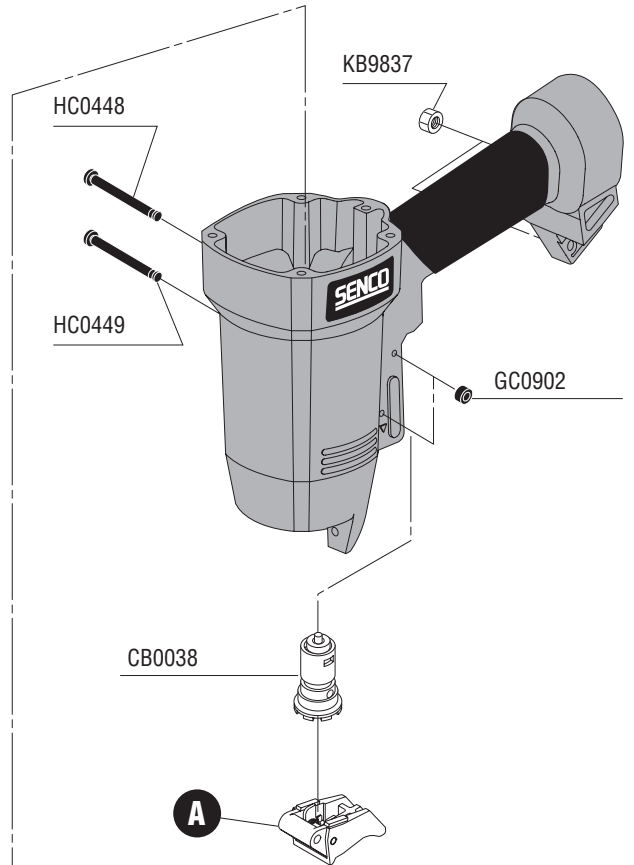
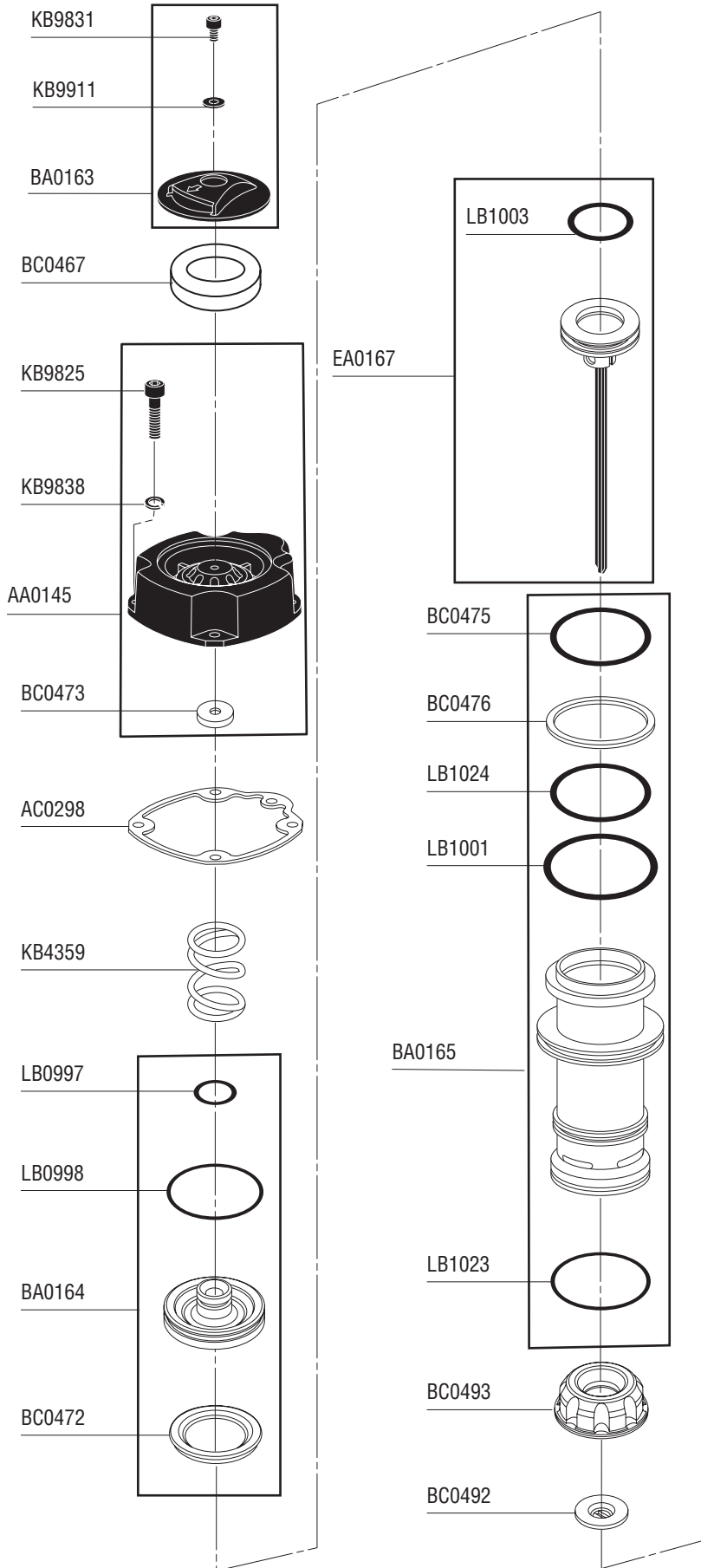


FinishPro® 35

SENCO®

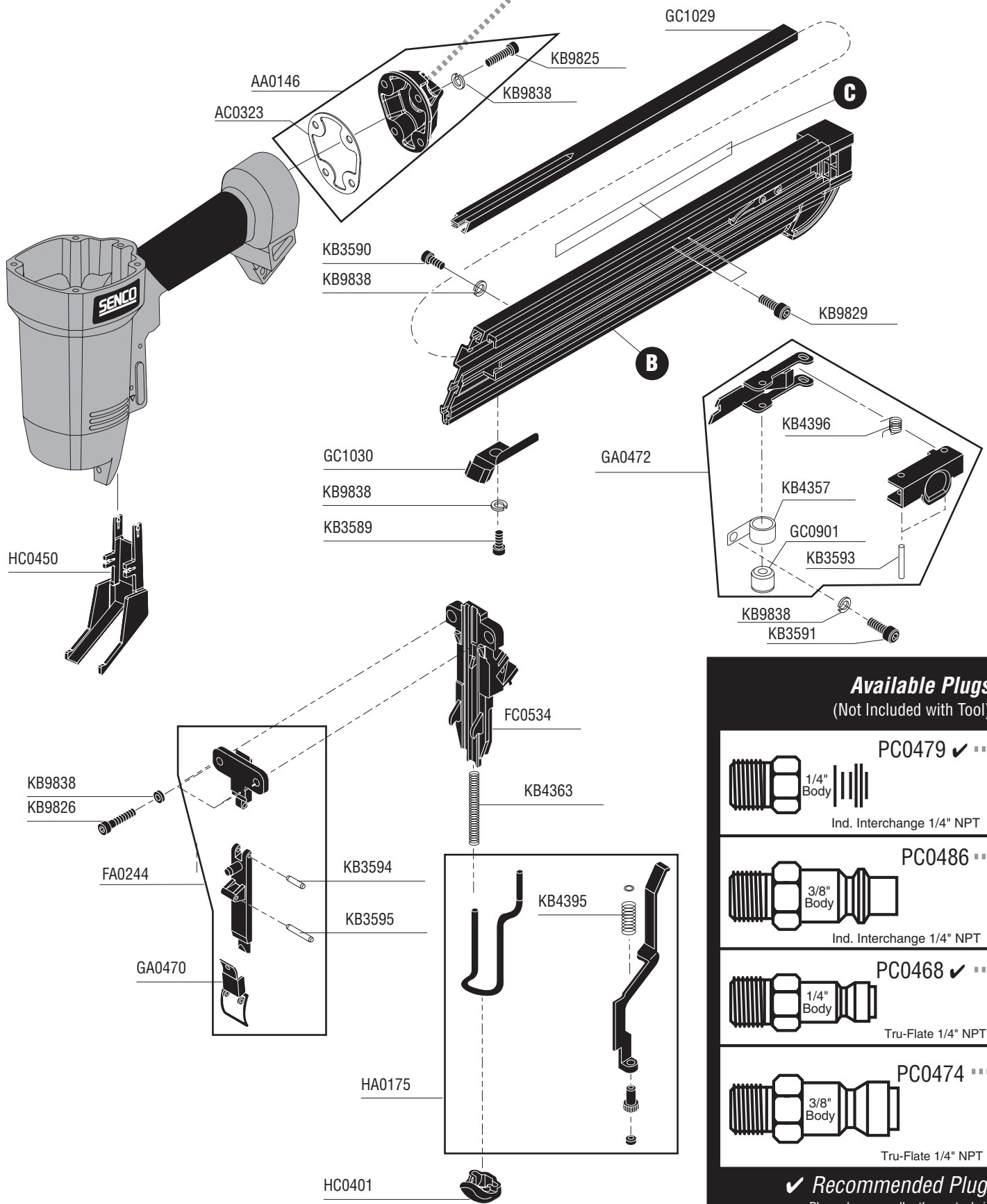
| Tool # | Model |
|---------|-------------------|
| 1Y0001N | Contact Actuation |
| 1Y0002N | Single Sequential |
| 1Y2001N | Contact Actuation |
| 1Y2002N | Single Sequential |
| 1Y3001N | Contact Actuation |
| 1Y3002N | Single Sequential |



| Tool # | Model | A | B | C |
|---------|-------------------|--------|--------|--------|
| 1Y0001N | Contact Actuation | HA0159 | GA0471 | HG0180 |
| 1Y0002N | Single Sequential | HA0174 | GA0471 | HG0180 |
| 1Y2001N | Contact Actuation | HB0303 | GA0473 | HG0181 |
| 1Y2002N | Single Sequential | HA0174 | GA0473 | HG0181 |
| 1Y3001N | Contact Actuation | HB0303 | GA0471 | HG0180 |
| 1Y3002N | Single Sequential | HA0174 | GA0471 | HG0180 |

FinishPro[®] 35


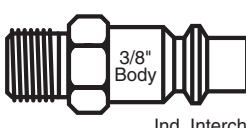
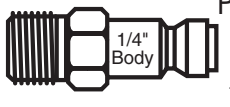
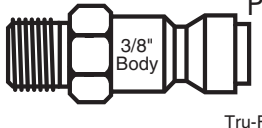
SENCO[®]



NFG01Y Revised March 28, 2007 (Replaces 2/6/06) © 2002, 2007 by SENC0 Products, Inc. Cincinnati, Ohio 45244 - U.S.A.

Available Plugs

(Not Included with Tool)

| | |
|---|-----------------|
|  | PC0479 ✓ |
| 1/4" Body | |
| Ind. Interchange 1/4" NPT | |
|  | PC0486 |
| 3/8" Body | |
| Ind. Interchange 1/4" NPT | |
|  | PC0468 ✓ |
| 1/4" Body | |
| Tru-Flate 1/4" NPT | |
|  | PC0474 |
| 3/8" Body | |
| Tru-Flate 1/4" NPT | |

✓ **Recommended Plugs**
Plugs shown smaller than actual size

FinishPro® 35 15ga. Angled Finish Nailer

REPLACEMENT PARTS LIST • LISTA DE PARTES DE REPUESTO • ERSATSTEILE-LISTE • LISTE DE PIÈCES DE RECHANGE

| PART NO. | DESCRIPTION | DESCRIPCIÓN | BESCHREIBUNG | DÉSIGNATION |
|----------|---------------------------|---------------------------|------------------------------------|------------------------------|
| AA0145 | CAP ASSEMBLY | ASAMBLE DE TAPA | KAPPE-ZUSAMMENBAU | ENSEMBLE BOUCHON |
| AA0146 | END CAP ASSEMBLY | ASAMBLE DE TAPA TERMINAL | ABSCHLUßKAPPE-ZUSAMMENBAU | BOUCHON D'EXTRÉMITÉ DE RAIL |
| AC0298 | SEAL | SELLO | DICHTUNG | JOINT |
| AC0323 | SEAL | SELLO | DICHTUNG | JOINT |
| BA0163 | DEFLECTOR ASSEMBLY | ASAMBLE DE DESVIADOR | ABWEISER-ZUSAMMENBAU | ENSEMBLE DÉFLECTEUR |
| BA0164 | FIRING VALVE ASSEMBLY | ASAMBLE DE VÁLVULA | VENTIL-ZUSAMMENBAU | ENSEMBLE VALVE |
| BA0165 | CYLINDER ASSEMBLY | ASAMBLE DE CILINDRO | ZYLINDER-ZUSAMMENBAU | ENSEMBLE CYLINDRE |
| BC0467 | MUFFLER | SILENCIADOR | DAMPFER | SILENCIEUX |
| BC0472 | SEAL | SELLO | DICHTUNG | JOINT |
| BC0473 | SEAL | SELLO | DICHTUNG | JOINT |
| BC0475 | WASHER | ARANDELA | SCHEIBE | RONDELLE |
| BC0476 | RETAINER | JUNTA TÓRICA | SICHERUNGSRING | RETENUE |
| BC0492 | WASHER | ARANDELA | SCHEIBE | RONDELLE |
| BC0493 | BUMPER | AMORTIGUADOR | PUFFER | AMORTISSEUR |
| CB0038 | TRIGGER VALVE ASSEMBLY | ASAMBLE DE VÁLVULA | VENTIL-ZUSAMMENBAU | VALVE D'ASSEMBLÉE |
| EA0167 | PISTON ASSEMBLY | ASAMBLE DE PISTON | KOLBEN-ZUSAMMENBAU | ENSEMBLE PISTON-COUTEAU |
| FA0244 | GUIDE BODY ASSEMBLY | ASAMBLE DE PLACA DE NARIZ | NAGELFÜHRUNG-ZUSAMMENBAU | ENSEMBLE FRONT |
| FC0534 | GUIDE | GUÍA | FÜHRUNG | GUIDE |
| GA0470 | LATCH ASSEMBLY | ASAMBLE DE UÑETA | FÜHRUNG-ZUSAMMENBAU | ENSEMBLE GUIDE |
| GA0471 | MAGAZINE (US) | CARGADOR | MAGAZIN | MAGASIN |
| GA0472 | FEEDER SHOE ASSEMBLY | ASAMBLE DE ALIMENTADOR | NAGELSCHIEBER-ZUSAMMENBAU | ENSEMBLE POUSSOIR |
| GA0473 | MAGAZINE (EURO) | CARGADOR | MAGAZIN | MAGASIN |
| GC0901 | GUIDE | GUÍA | FÜHRUNG | GUIDE |
| GC0902 | RETAINER | JUNTA TÓRICA | SICHERUNGSRING | RETENUE |
| GC1029 | RAIL | CARRIL | SCHIENE | RAIL |
| GC1030 | COVER | CUBIERTA | ABDECKUNG | COUVERCLE |
| HA0159 | TRIGGER VALVE ASSEMBLY | ASAMBLE DE VÁLVULA | VENTIL-ZUSAMMENBAU | VALVE D'ASSEMBLÉE |
| HA0174 | TRIGGER ASSY, Single Seq. | ASAMBLE DE GATILLO | AUSLÖSER-ZUSAMMENBAU | ENSEMBLE GÂCHETTE |
| HA0175 | SAFETY ELEMENT ASSEMBLY | ASAMBLE DE SEGURO | SICHERHEITSVORRICHTUNG-ZUSAMMENBAU | ENSEMBLE PALPEUR DE SÉCURITÉ |
| HB0303 | TRIGGER ASSY, Contact Act | ASAMBLE DE GATILLO | AUSLÖSER-ZUSAMMENBAU | ENSEMBLE GÂCHETTE |
| HC0401 | NO-MAR PAD | AMORTIGUADOR | SCHUTZ | COUSSIN |
| HC0448 | PIN | PASADOR | STIFT | GOUPILLE |
| HC0449 | PIN | PASADOR | STIFT | GOUPILLE |
| HC0450 | GUIDE | GUÍA | FÜHRUNG | GUIDE |
| HG0180 | LABEL (US) | ETIQUETA | AUFKLEBER | ÉTIQUETTE |
| HG0181 | LABEL (EURO) | ETIQUETA | AUFKLEBER | ÉTIQUETTE |
| KB3589 | SCREW | TORNILLO | SCHRAUBE | VIS |
| KB3590 | SCREW | TORNILLO | SCHRAUBE | VIS |
| KB3591 | SCREW | TORNILLO | SCHRAUBE | VIS |
| KB3593 | PIN | PASADOR | STIFT | GOUPILLE |
| KB3594 | PIN | PASADOR | STIFT | GOUPILLE |
| KB3595 | PIN | PASADOR | STIFT | GOUPILLE |
| KB4357 | SPRING | RESORTE | FEDER | RESSORT |
| KB4359 | SPRING | RESORTE | FEDER | RESSORT |
| KB4363 | SPRING | RESORTE | FEDER | RESSORT |
| KB4395 | SPRING | RESORTE | FEDER | RESSORT |
| KB4396 | SPRING | RESORTE | FEDER | RESSORT |
| KB9825 | SCREW | TORNILLO | SCHRAUBE | VIS |
| KB9826 | SCREW | TORNILLO | SCHRAUBE | VIS |
| KB9829 | SCREW | TORNILLO | SCHRAUBE | VIS |
| KB9831 | SCREW | TORNILLO | SCHRAUBE | VIS |
| KB9837 | NUT | TUERCA | MUTTER | ÉCROU |
| KB9838 | WASHER | ARANDELA | SCHEIBE | RONDELLE |
| KB9911 | WASHER | ARANDELA | SCHEIBE | RONDELLE |
| LB0997 | SEAL | SELLO | DICHTUNG | JOINT |
| LB0998 | SEAL | SELLO | DICHTUNG | JOINT |
| LB1001 | SEAL | SELLO | DICHTUNG | JOINT |
| LB1003 | SEAL | SELLO | DICHTUNG | JOINT |
| LB1023 | SEAL | SELLO | DICHTUNG | JOINT |
| LB1024 | SEAL | SELLO | DICHTUNG | JOINT |