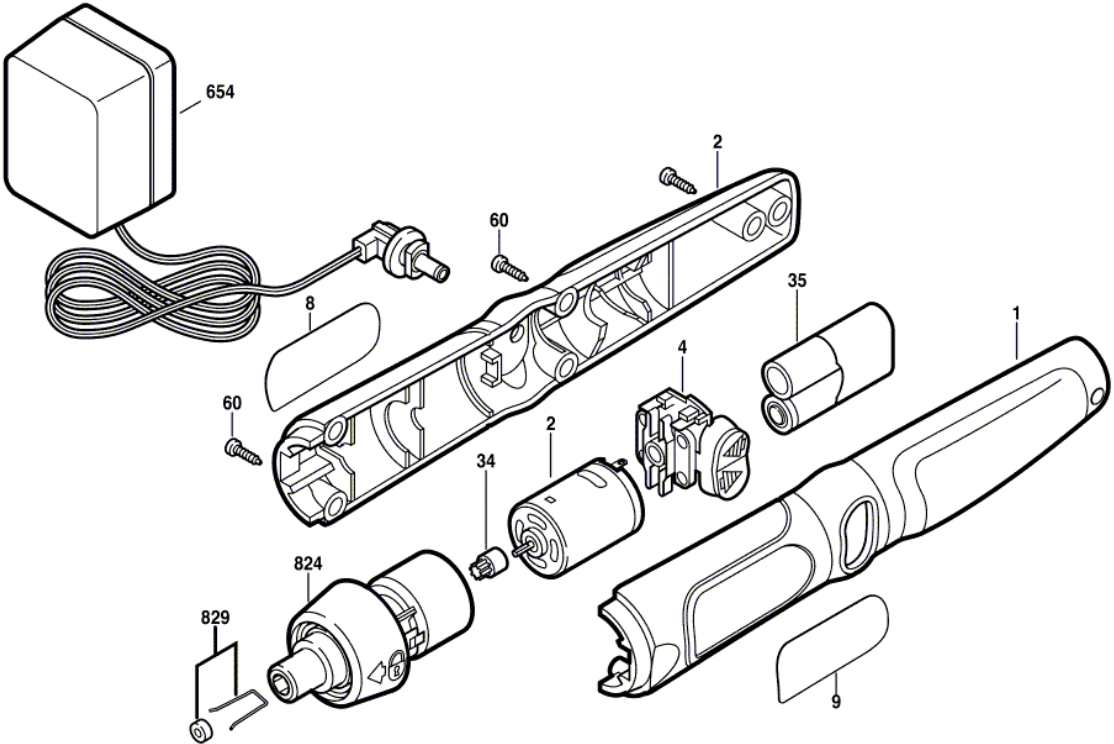


F012 210 600
Issue 01-06-07
Stand

Fig./Abb. 1



Modifications reserved
Änderungen vorbehalten
Modifications réservées
Salvo modificaciones

| Pos. | Part Number | Description | Pos. | Part Number | Description |
|------|---------------|----------------------|------|-------------|-------------|
| 1 | 2 610 993 300 | Housing | | | |
| 2 | 2 610 352 716 | Motor | | | |
| 4 | 2 610 993 306 | Switch | | | |
| 8 | 2 610 907 876 | Nameplate | | | |
| 9 | 2 610 907 883 | Nameplate | | | |
| 34 | 2 610 993 305 | Pinion | | | |
| 35 | 2 610 993 310 | Accumulator Battery | | | |
| 60 | 2 610 347 948 | Screw | | | |
| 654 | 2 610 993 317 | Battery Charger | | | |
| 824 | 2 610 991 239 | Planetary Gear Train | | | |
| 829 | 2 610 354 744 | Holding Spring | | | |