

POWERMATIC[®]

WMH | TOOL GROUP

Owner's Manual

ACCU-FENCE[®] 64A Fence and Rail System



WMH TOOL GROUP
2420 Vantage Drive
Elgin, Illinois 60123
Ph.: 800-274-6848
www.wmhtoolgroup.com

Part No. M-2195075Z
Revision B 03/06
Copyright © WMH Tool Group

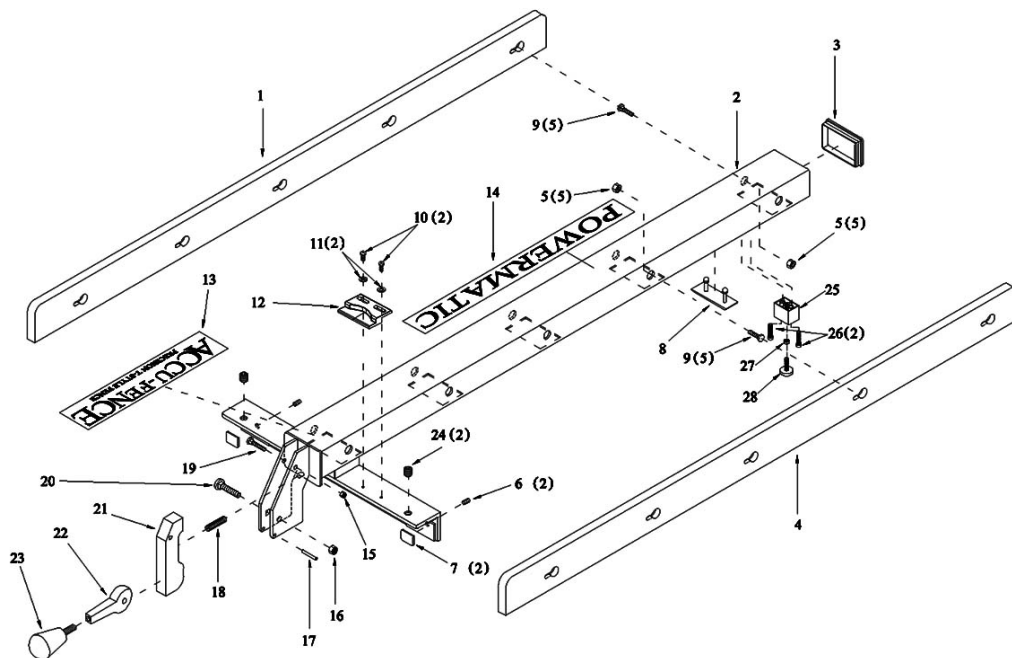
Parts

Ordering Replacement Parts

To order parts or reach our service department, call 1-800-274-6848 between 7:30 a.m. and 5:30 p.m. (CST), Monday through Friday. Having the Model Number and Serial Number of your machine available when you call will allow us to serve you quickly and accurately.

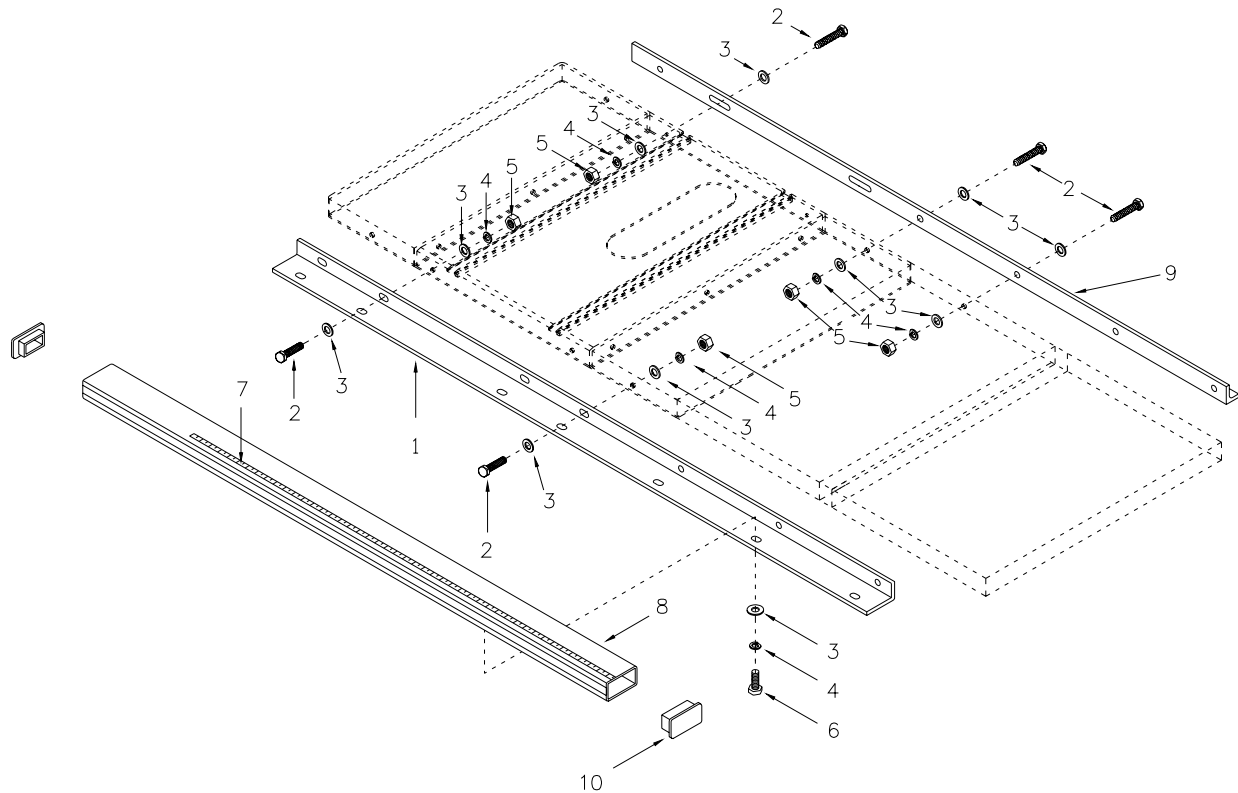
Parts for ACCU-FENCE 64A Fence Assembly

Index No.	Part No.	Description	Size	Qty
1	HF2-101	Left Side Plate		1
2	AF-102	Fence Body Assembly		1
3	HF2-103	Tube Plug		1
4	HF2-104	Right Side Plate		1
5	TS-0640071	Lock Nut	1/4" -20	10
6	TS-0271031	Socket Set Screw	3/8" -16 x 3/8"	2
7	3575081	Fluoroway Pad		2
8	XF2-108	Pad		1
9	TS-0151011	Carriage Bolt	1/4" -20 x 3/4"	10
10	TS-081D022	Pan Head Machine Screw	10-32 x 3/8"	2
11	TS-0680021	Flat Washer	1/4"	2
12	HF2-112	Cursor		1
13	3408241	ACCU FENCE Label		1
14	3312341	POWERMATIC Label		1
15	TS-0640071	Lock Nut	1/4" -20	1
16	TS-0640081	Lock Nut	5/16" -18	1
17	XF2-117	Spring Pin	4mm x 28	1
18	6813042	Compression Spring		1
19	TS-0151041	Carriage Bolt	1/4" -20 x 1-1/2"	1
20	TS-0152031	Carriage Bolt	5/16" -18 x 1-1/2"	1
21	3215302	Foot Cam		1
22	3076232	Lock Cam		1
23	6430055	Knob w/stud	3/8" -16 x 5/8"	1
24	XF-5	Nylon Adjustment Screw		2
25	XF2-130	Foot Pad Holder		1
26	TS-0207061	Socket Head Cap Screw	1/4" -20 x 1"	2
27	TS-0561011	Hex Nut	1/4" -20	1
28	XF2-133	Foot Pad		1



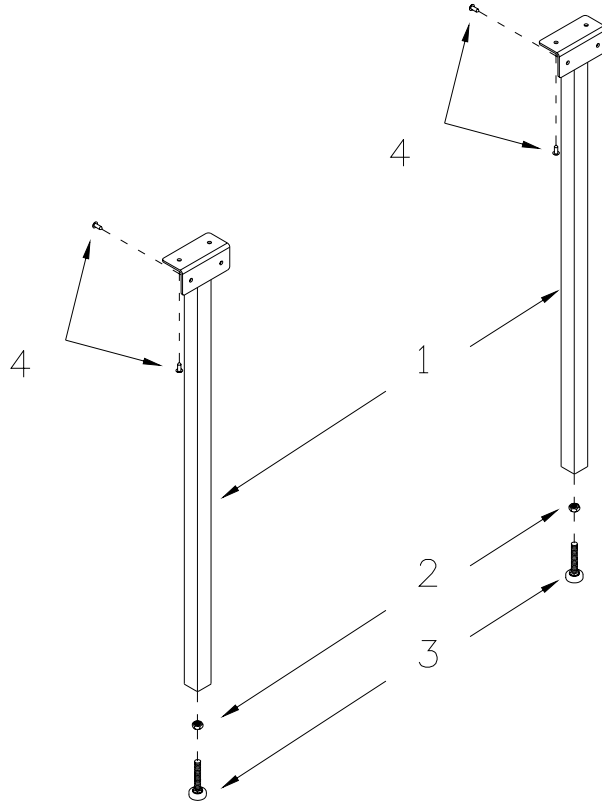
Parts for ACCU-FENCE 64A Rail Assembly

Index No.	Part No.	Description	Size	Qty
1	AF-201	Front Fence Rail – Standard		1
	AF-201A	Front Fence Rail – Long Table		1
2	TS-0050071	Hex Cap Screw (30" Table)	1/4"-20 x 1-1/2"	12
	TS-0050071	Hex Cap Screw (52" Table)	1/4"-20 x 1-1/2"	14
3	TS-0680021	Flat Washer (30" Table)	1/4"	30
	TS-0680021	Flat Washer (52" Table)	1/4"	35
4	TS-0720071	Lock Washer (30" Table)	1/4"	18
	TS-0720071	Lock Washer (52" Table)	1/4"	21
5	TS-0561011	Hex Nut (30" Table)	1/4"-20	12
	TS-0561011	Hex Nut (52" Table)	1/4"-20	14
6	TS-0050031	Hex Cap Screw (30" Table)	1/4"-20 x 3/4"	6
	TS-0050031	Hex Cap Screw (52" Table)	1/4"-20 x 3/4"	7
7	XF2-207	Scale	52"	1
	XF2-207A	Scale	30"	1
8	AF-208	Front Fence Guide – Standard Table	30"	1
	AF-208A	Front Fence Guide – Long Table	52"	1
9	AF-209	Back Fence Rail – Standard Table	30"	1
	AF-209A	Back Fence Rail – Long Table	52"	1
10	HF2-103	Tube Plug		2
11	HF2-211	Hardware Kit (Standard Table) – not shown	30"	1
	HF2-211A	Hardware Kit (Long Table) – not shown	52"	1



Parts for ACCU-FENCE 64A Leg Assembly

Index No.	Part No.	Description	Size	Qty
1	AF-301	Leg		2
2	TS-0561031	Hex Nut	3/8"-16	2
3	XF2-303	Adjusting foot		2
4	TS-1533052	Machine Screw	M5 x 16	8



Appendix – Extension Table Dimensions

The dimensions below are provided if you plan to build your own extension table instead of purchasing one that is available through Powermatic.

