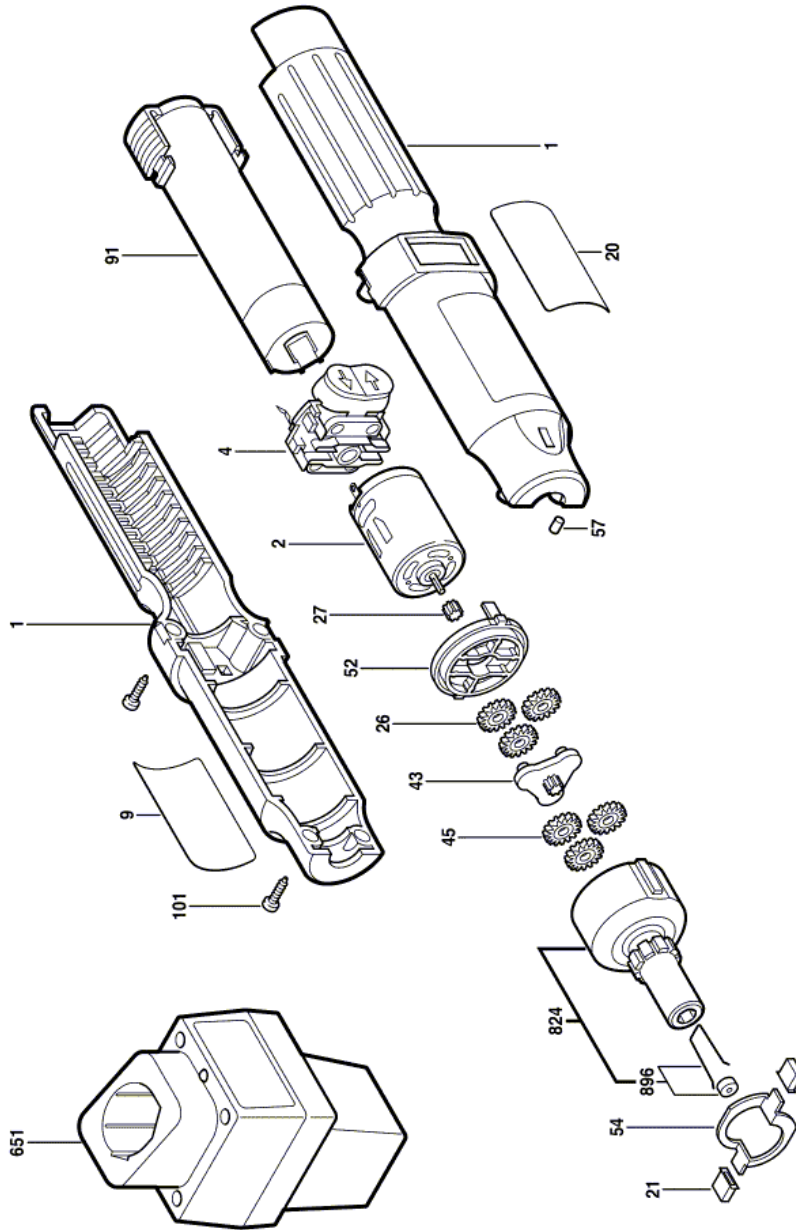


Cordless Drill Driver - F 012 220 700 - 2207 TYPE ...

Item	Part Number	Description	Illustration	Price	Quantity	Price Group
1	2 610 357 434	Housing	1	-,-	1	15
2	2 610 352 716	Motor 2,4-3,6V	1	-,-	1	22
4	2 610 357 411	Switch	1	-,-	1	21
9	2 610 907 049	Nameplate	1	-,-	1	-
20	2 610 902 130	Reference Plate	1	-,-	1	-
21	2 610 355 038	Cover	1	-,-	2	13
26	2 610 350 359	Toothed Gear	1	-,-	3	11
27	2 610 352 042	Toothed Gear	1	-,-	1	11
43	2 610 353 495	Support	1	-,-	1	13
45	2 610 347 918	Toothed Gear	1	-,-	3	11
52	2 610 347 911	Plate	1	-,-	1	11
54	2 610 354 723	Rubber Buffer	1	-,-	1	14
57	2 610 354 679	Plug	1	-,-	1	11
91	2 610 092 940	Accumulator Battery 3,6V	1	-,-	1	-
101	2 610 347 948	Screw	1	-,-	4	11
651	2 610 092 909	Fast Charger USA 120/2,4-3,6V	1	-,-	1	-
824	2 610 350 009	Gear Blank	1	-,-	1	24
896	2 610 354 744	Holding Spring	1	-,-	1	19

Illustration - Type E



F 012 220 700
Issue } 01-02-28
Stand }

Fig./Abb. 1

Modifications reserved
Änderungen vorbehalten
Modificacions reservades
Salvo modificaciones

Information subject to change without further notice.