



SERVICE PARTS LIST

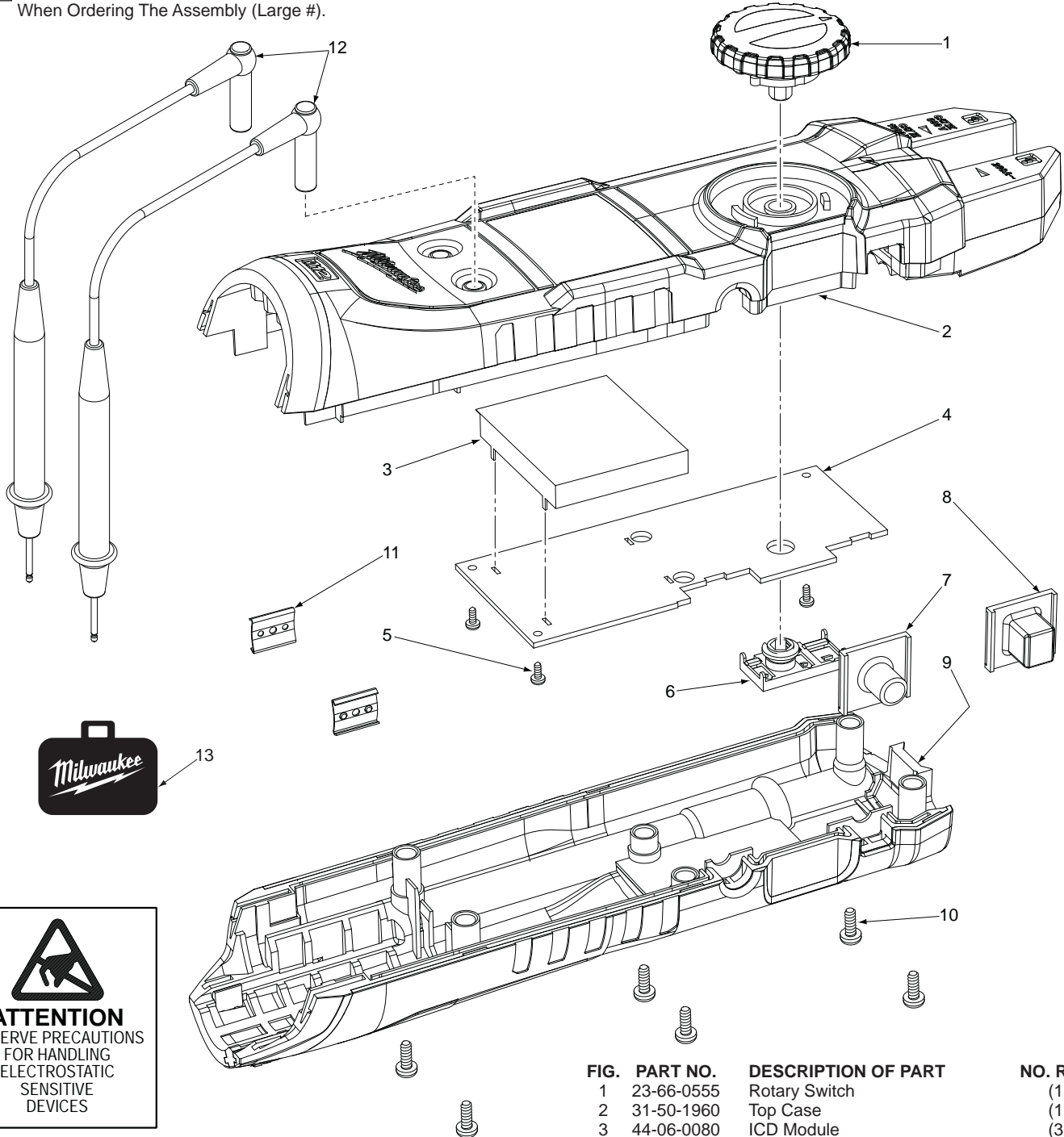
BULLETIN NO.
54-07-2235

| SPECIFY CATALOG NO. AND SERIAL NO. WHEN ORDERING PARTS | | REVISED BULLETIN | DATE |
|--|----------------|----------------------|-------------|
| 12 Volt Fork Meter | | | April 2010 |
| CATALOG NO. | 2207-20 | SERIAL NUMBER | C61A |
| WIRING INSTRUCTION | | | |

EXAMPLE:

| | |
|----|---|
| 00 | 0 |
|----|---|

 Component Parts (Small #) Are Included
 When Ordering The Assembly (Large #).



| FIG. | PART NO. | DESCRIPTION OF PART | NO. REQ. |
|------|------------|---------------------------|----------|
| 1 | 23-66-0555 | Rotary Switch | (1) |
| 2 | 31-50-1960 | Top Case | (1) |
| 3 | 44-06-0080 | ICD Module | (3) |
| 4 | 22-06-0170 | Main PCB | (1) |
| 5 | 05-81-0370 | PCB Screw | (3) |
| 6 | 22-58-0005 | Rotary Contact | (1) |
| 7 | 42-42-0925 | Flashlight Button | (1) |
| 8 | 42-42-0915 | Hold Button | (1) |
| 9 | 31-50-1965 | Bottom Case | (1) |
| 10 | 05-81-0365 | Bottom Case Screw | (6) |
| 11 | 42-70-0185 | Clip | (2) |
| 12 | 49-77-1001 | Replacement Test Lead Set | (1) |
| 13 | 42-55-0170 | Soft Case | (1) |