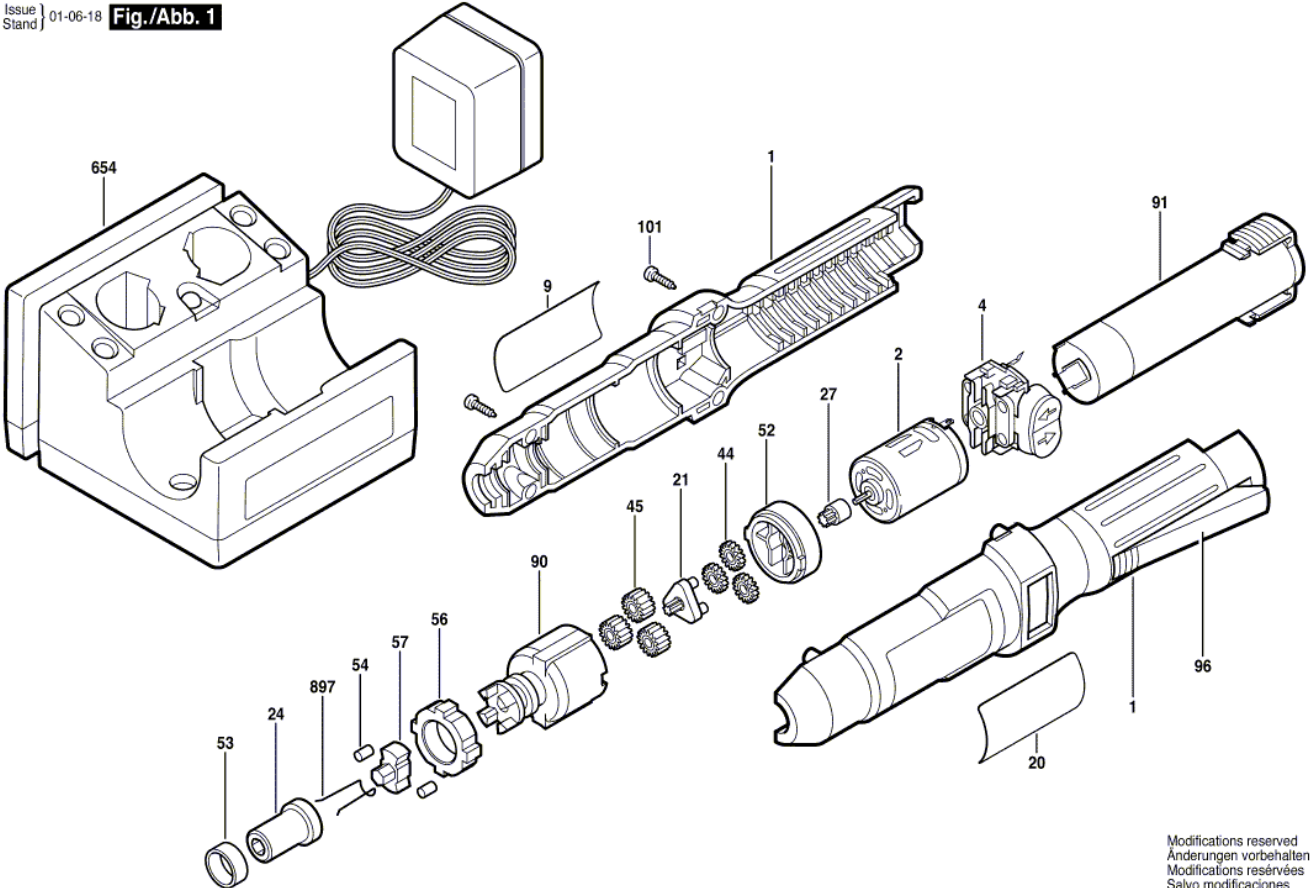


F012 221101  
Issue | 01-06-18  
Stand | **Fig./Abb. 1**



Modifications reserved  
Änderungen vorbehalten  
Modifications réservées  
Salvo modificaciones

Pos.	Part Number	Description	Pos.	Part Number	Description
1	2 610 902 316	Housing			
2	2 610 352 716	Motor			
4	2 610 357 411	Switch			
9	2 610 907 071	Manufacturer's nameplate			
20	2 610 904 488	Label			
21	2 610 356 033	Support			
24	2 610 352 545	Clamping Ring			
27	2 610 354 457	Pinion			
44	2 610 356 036	Toothed Gear			
45	2 610 356 652	Toothed Gear			
52	2 610 354 463	Plate			
53	2 610 352 510	Bearing			
54	2 610 352 532	Dowel pin			
56	2 610 352 511	Ring			
57	2 610 352 546	Carrier			
90	2 610 357 464	Toothed Gear			
91	2 610 902 304	Battery Set			
96	2 610 357 447	Support			
101	2 610 347 948	Screw			
654	2 610 903 976	Battery Charger			
897	2 610 354 744	Holding Spring			