



SERVICE PARTS LIST

BULLETIN NO.
54-07-2225

SPECIFY CATALOG NO. AND SERIAL NO. WHEN ORDERING PARTS		REVISED BULLETIN	DATE
CLAMP METER (AC/DC Clamp)			Apr. 2010
CATALOG NO.	2237-20	SERIAL NUMBER	B87A
WIRING INSTRUCTION			

EXAMPLE:

00	0
----	---

 Component Parts (Small #) Are Included
 When Ordering The Assembly (Large #).

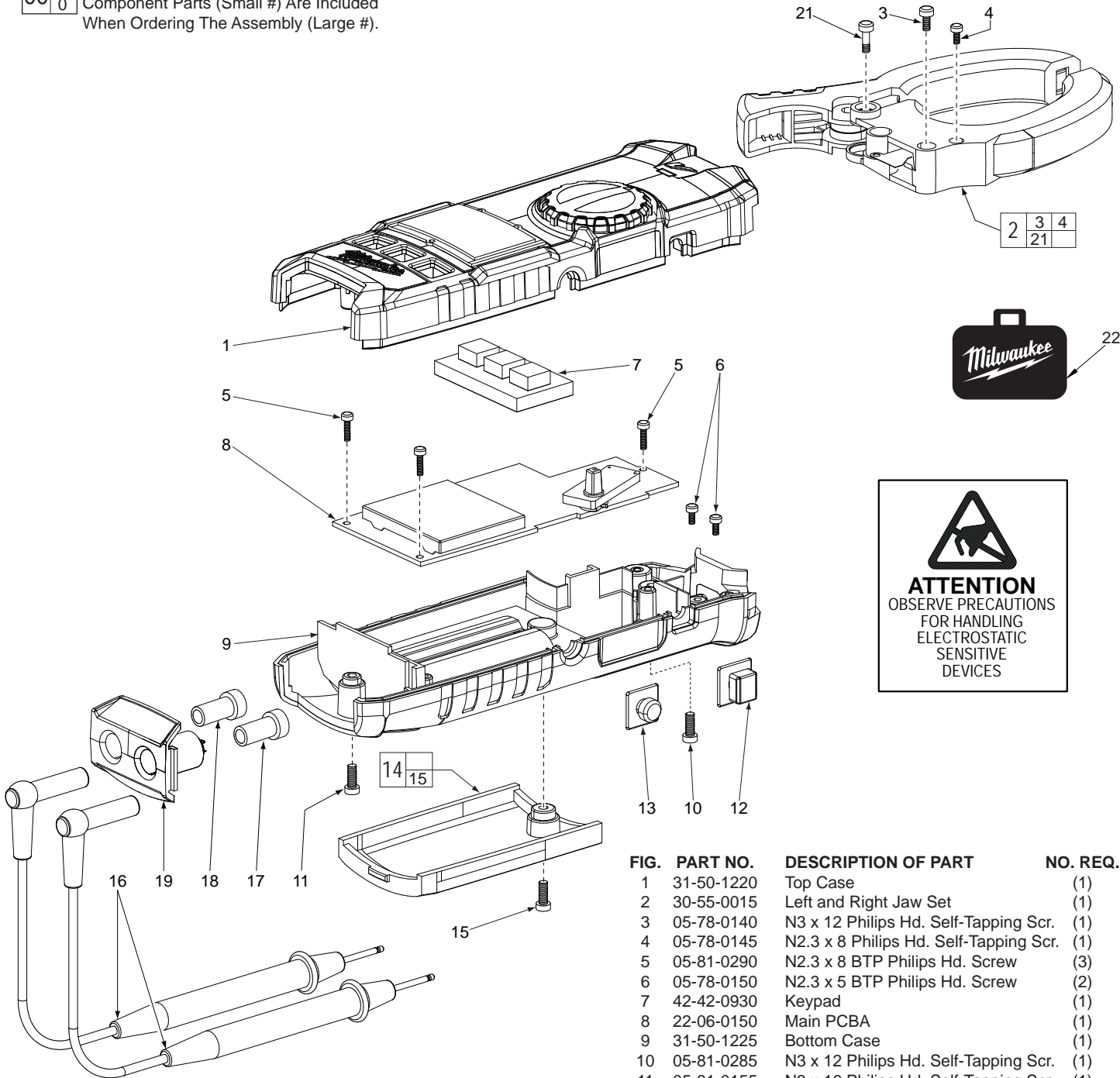


FIG.	PART NO.	DESCRIPTION OF PART	NO. REQ.
1	31-50-1220	Top Case	(1)
2	30-55-0015	Left and Right Jaw Set	(1)
3	05-78-0140	N3 x 12 Philips Hd. Self-Tapping Scr.	(1)
4	05-78-0145	N2.3 x 8 Philips Hd. Self-Tapping Scr.	(1)
5	05-81-0290	N2.3 x 8 BTP Philips Hd. Screw	(3)
6	05-78-0150	N2.3 x 5 BTP Philips Hd. Screw	(2)
7	42-42-0930	Keypad	(1)
8	22-06-0150	Main PCBA	(1)
9	31-50-1225	Bottom Case	(1)
10	05-81-0285	N3 x 12 Philips Hd. Self-Tapping Scr.	(1)
11	05-81-0155	N3 x 16 Philips Hd. Self-Tapping Scr.	(1)
12	42-42-0910	Hold Button	(1)
13	42-42-0920	Flashlight Button	(1)
14	31-21-0040	Battery Door	(1)
15	05-81-0280	Battery Door Screw	(1)
16	49-77-1001	Test Lead Set	(1)
17	23-74-0135	Input Terminals (Red)	(1)
18	23-74-0145	Input Terminals (Black)	(1)
19	22-58-0025	Input Block	(1)
21	-----	Slotted Flat Head Jaw Axle	(1)
22	49-77-4001	Soft Carrying Case, Optional	(1)