

Cordless Screwdriver - F 012 236 701 - 2367

www.powertools-aftersaleservice.com



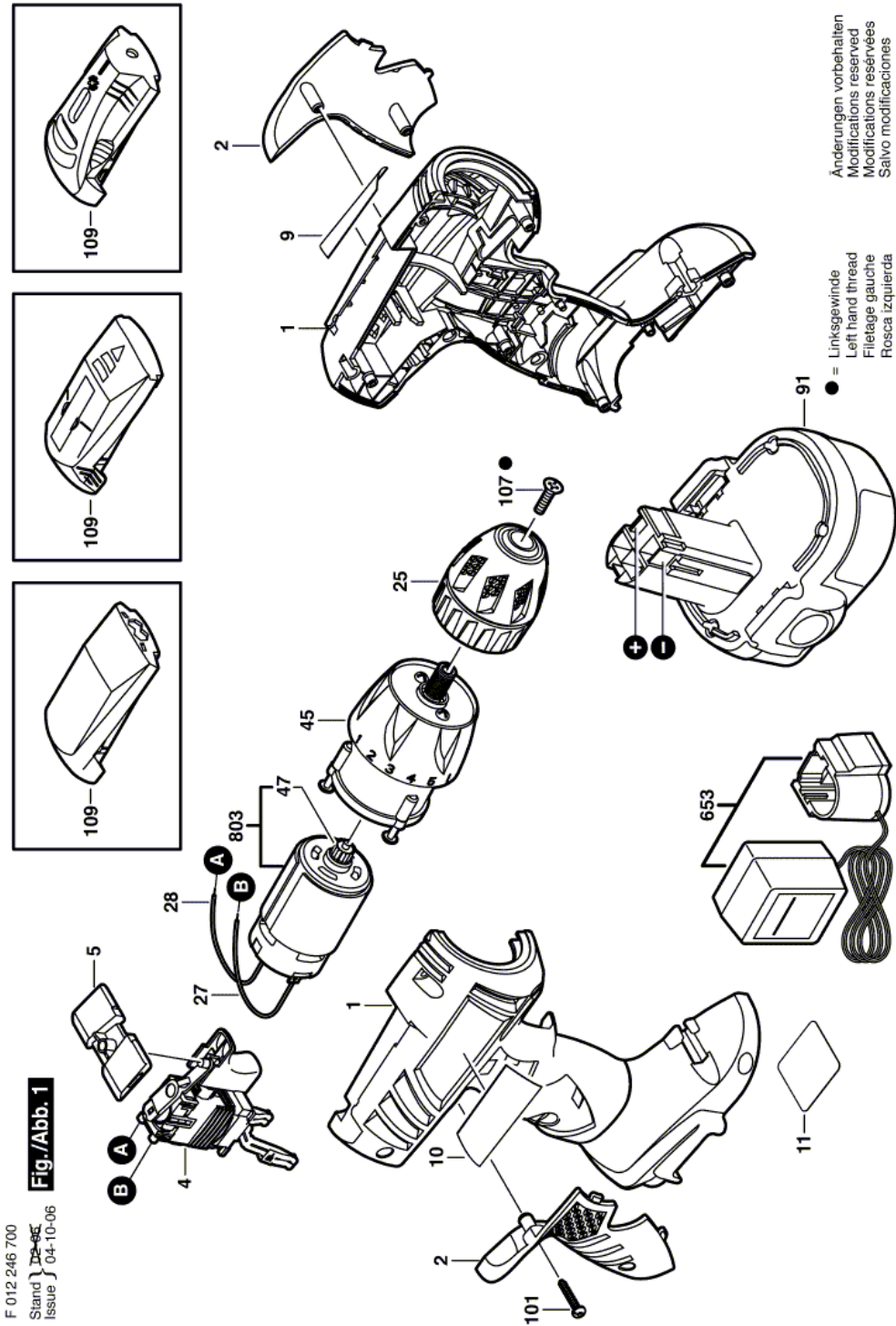
BOSCH

| Item | Part Number | Description | Illustration | Price | Quantity | Price Group |
|------|---------------|-----------------------------------|--------------|-------|----------|-------------|
| 1 | 1 619 X01 513 | Housing | 1 | -,- | 1 | - |
| 2 | 2 609 100 149 | Cap-Handle | 1 | -,- | 1 | 19 |
| 4 | 2 607 200 464 | On-Off Switch | 1 | -,- | 1 | 32 |
| 5 | 2 609 100 167 | Reverse-Transfer Lever | 1 | -,- | 1 | 13 |
| 9 | 1 619 X01 514 | Label | 1 | -,- | 1 | - |
| 10 | 1 619 X01 515 | Warning Label | 1 | -,- | 1 | - |
| 11 | 1 619 X01 516 | Nameplate | 1 | -,- | 1 | - |
| 25 | 1 619 X00 090 | Chuck | 1 | -,- | 1 | 33 |
| 27 | 2 609 120 085 | Connecting Cable | 1 | -,- | 1 | 11 |
| 28 | 2 609 120 086 | Connecting Cable | 1 | -,- | 1 | 11 |
| 45 | 2 609 110 194 | Planetary Gear Train | 1 | -,- | 1 | 29 |
| 47 | 2 609 110 097 | Pinion | 1 | -,- | 1 | 12 |
| 91 | 2 607 335 333 | Battery Pack 9,6V, 1,0Ah, NiCd | 1 | -,- | 1 | 36 |
| 101 | 2 609 110 201 | Torx Flat-Head Screw 3x16 | 1 | -,- | 8 | 10 |
| 107 | 2 609 110 721 | Countersunk-Head Screw M5x20 | 1 | -,- | 1 | 11 |
| 109 | 2 609 100 190 | Bit holder | 1 | -,- | 1 | 16 |
| 109 | 2 610 916 434 | Metal Detector | 1 | -,- | 1 | 35 |
| 109 | 2 610 924 650 | Spirit Level | 1 | -,- | 1 | 32 |
| 653 | 2 607 225 367 | Fast Charger USA 120/9,6V-18V, 3h | 1 | -,- | 1 | 31 |
| 803 | 2 609 120 083 | DC motor 12V | 1 | -,- | 1 | 32 |

Product information Cordless Screwdriver - F 012 236 701 - 2367

| | |
|---------------------|-------------------------------|
| Product No | F 012 236 701 |
| Description | 183.490; Cordless Screwdriver |
| DIN-Text | |
| ID_Text_Ext | 0 |
| Trading_Description | 2367 |
| Voltage_1 | 9,6 V |
| ID_Country_Product | USA |

Illustration - Type E



Information subject to change without further notice.