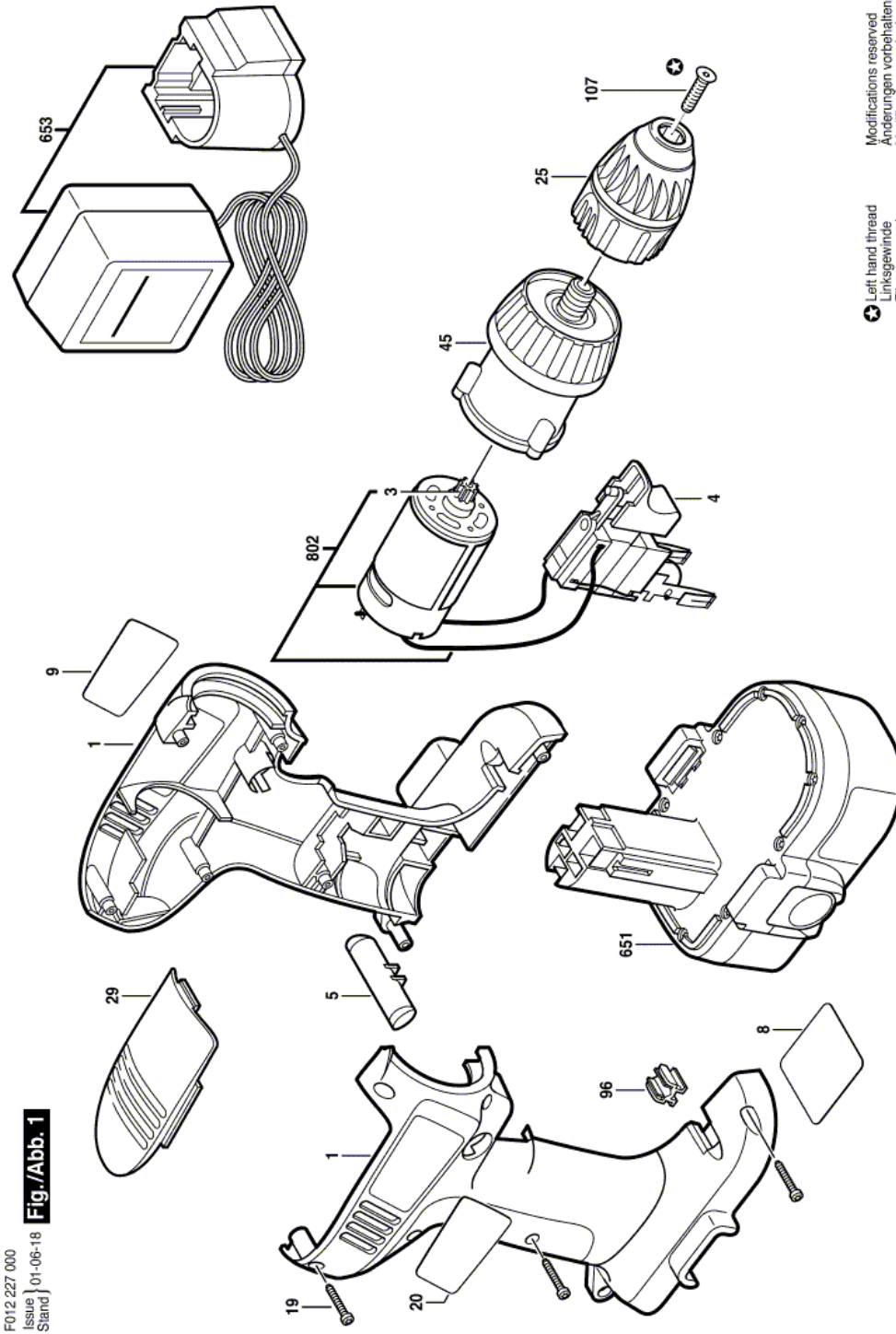


11.08.2015 |

Cordless Screwdriver - F 012 236 800 - 2368

Item	Part Number	Description	Illustration	Price	Quantity	Price Group
1	2 610 997 741	Housing Section	1	-,-	1	-
3	2 610 967 133	Pinion	1	-,-	1	11
4	2 607 200 449	Toggle Switch	1	-,-	1	-
5	2 610 997 745	Reverse-Transfer Lever	1	-,-	1	-
8	2 610 908 177	Nameplate	1	-,-	1	-
9	2 610 908 174	Reference Plate	1	-,-	1	-
19	2 610 909 719	Screw BLACK	1	-,-	7	11
20	2 610 908 173	Warning Plate	1	-,-	1	-
25	2 610 993 339	Keyless Chuck	1	-,-	1	-
29	2 610 997 746	Housing Cover	1	-,-	1	-
45	2 610 913 459	Gear Box	1	-,-	1	-
96	2 610 911 815	Bit holder	1	-,-	1	-
107	2 609 110 721	Countersunk-Head Screw M5x20	1	-,-	1	11
651	2 610 908 161	Battery Set 9,6V	1	-,-	1	-
653	2 607 225 367	Fast Charger USA 120/9,6V-18V, 3h	1	-,-	1	31
802	2 610 998 224	Motor 12V	1	-,-	1	-

Illustration - Type E



Modifications reserved
Änderungen vorbehalten
Modifications réservées
Salvo modificaciones

Left hand thread
Linksgewinde
Filetage gauche
Rosca Izquierda

Information subject to change without further notice.