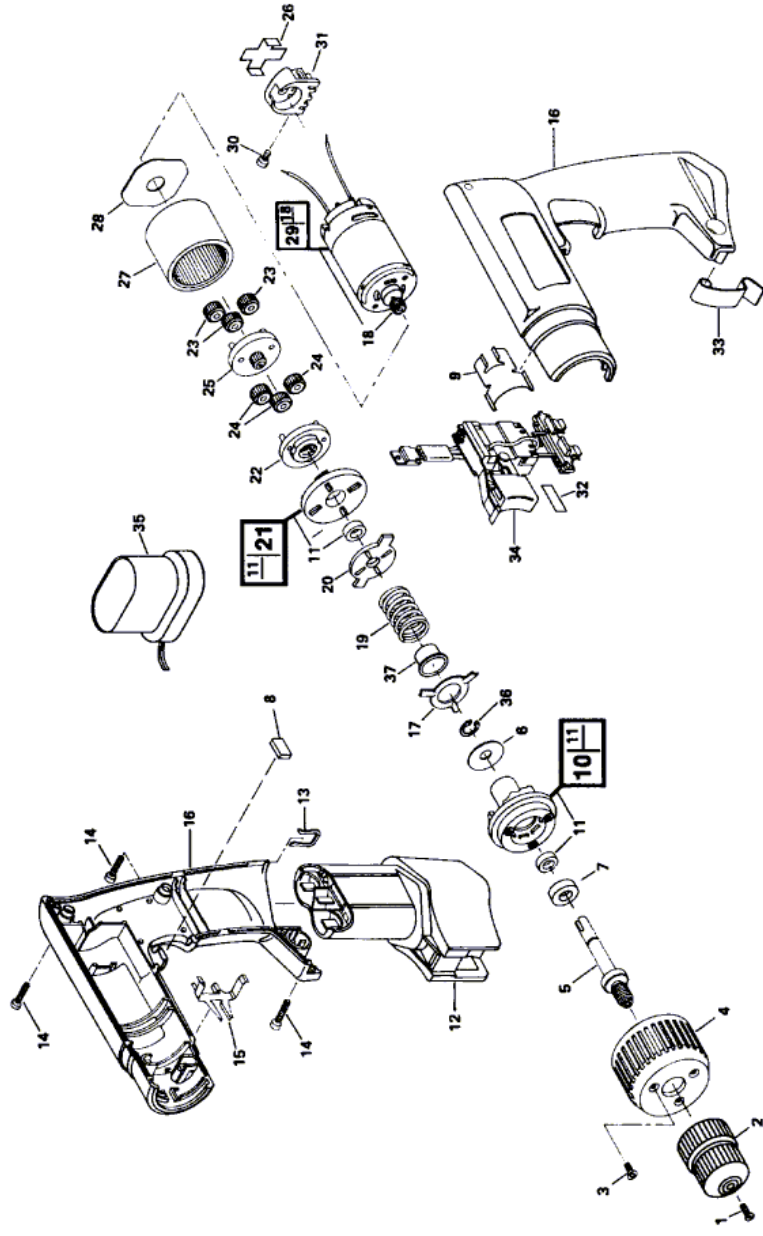


## Cordless Screwdriver - F 012 237 500 - 2375

Item	Part Number	Description	Illustration	Price	Quantity	Price Group
1	2 610 068 005	Screw	1	-,-	1	11
2	2 610 908 303	Chuck 3/8"	1	-,-	1	32
3	2 610 351 043	Screw	1	-,-	3	11
4	2 610 352 856	Sleeve	1	-,-	1	15
5	2 610 358 066	Spindle	1	-,-	1	-
6	2 610 026 126	Washer	1	-,-	1	11
7	2 610 354 729	Washer	1	-,-	1	11
8	2 610 352 598	Dust Protection	1	-,-	2	-
9	2 610 351 040	Plate	1	-,-	1	13
10	2 610 351 037	Cam	1	-,-	1	15
11	2 610 351 034	Bearing	1	-,-	1	13
12	2 610 092 955	Accumulator Battery	1	-,-	2	-
13	2 610 351 046	Support	1	-,-	1	13
14	2 610 315 386	Screw ST3,9x19	1	-,-	5	11
15	2 610 351 041	Cover	1	-,-	1	13
16	2 610 908 319	Housing	1	-,-	1	22
17	2 610 351 012	Washer	1	-,-	1	11
18	2 610 908 900	Toothed Gear	1	-,-	1	11
19	2 610 351 014	Spring	1	-,-	1	11
20	2 610 904 632	Plate	1	-,-	1	15
21	2 610 908 318	Clutch	1	-,-	1	19
22	2 610 908 306	Plate	1	-,-	1	17
23	2 610 908 919	Toothed Gear	1	-,-	3	11
24	2 610 908 901	Toothed Gear	1	-,-	3	11
25	2 610 908 305	Support	1	-,-	1	15
26	2 610 910 463	Heat Sink	1	-,-	1	-
27	2 610 908 334	Toothed Gear	1	-,-	1	13
28	2 610 351 013	Washer	1	-,-	1	11
29	2 610 909 726	Motor 9,6V	1	-,-	1	-
30	2 610 315 146	Screw	1	-,-	1	11
31	2 610 351 019	Connector	1	-,-	1	13
32	2 610 910 462	Spring Clip	1	-,-	1	-
33	2 610 351 018	Latch	1	-,-	1	13

Item	Part Number	Description	Illustration	Price	Quantity	Price Group
34	2 610 909 710	Toggle Switch	1	-,-	1	-
35	2 610 092 950	Fast Charger USA 120/9,6V, 3h	1	-,-	1	-
36	2 610 904 751	Support	1	-,-	1	11
37	2 610 909 730	Shim washer	1	-,-	1	12

Illustration - Type E



F012237500  
Stand }  
Issue } 00-04-24  
**Fig./Abb. 1**

Änderungen vorbehalten  
Modifications reserved  
Modifications reserves  
Salvo modificaciones

Information subject to change without further notice.