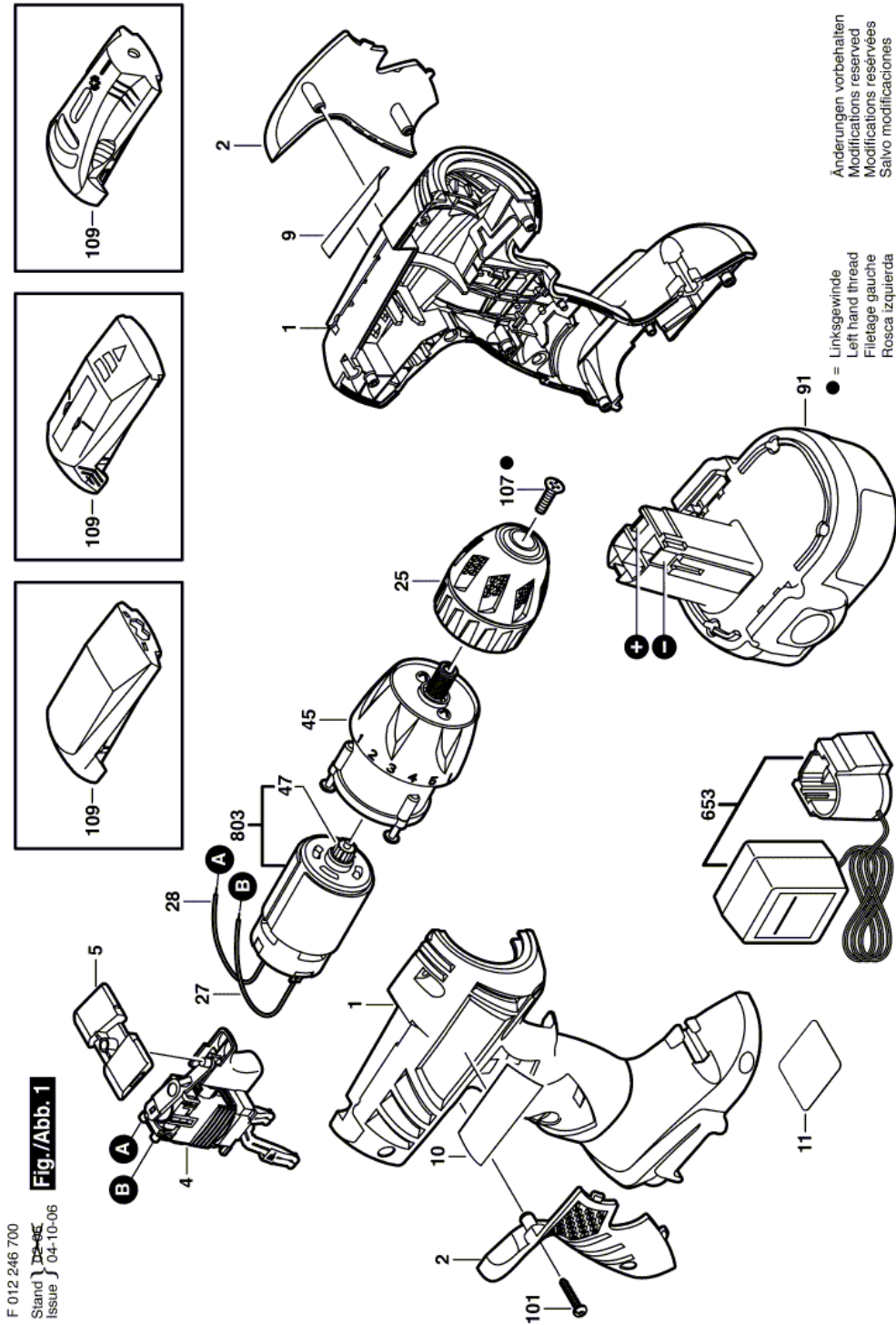


Cordless Drill Driver - F 012 246 700 - 2467

Item	Part Number	Description	Illustration	Price	Quantity	Price Group
1	2 609 100 156	Housing Cover	1	-,-	1	26
2	2 609 100 149	Cap-Handle	1	-,-	1	19
4	2 607 200 464	On-Off Switch	1	-,-	1	32
5	2 609 100 167	Reverse-Transfer Lever	1	-,-	1	13
9	2 609 130 457	Reference Plate	1	-,-	1	15
10	2 609 130 475	Nameplate	1	-,-	1	15
11	2 609 130 460	Plate	1	-,-	1	12
25	1 619 X00 090	Chuck	1	-,-	1	33
27	2 609 120 085	Connecting Cable	1	-,-	1	11
28	2 609 120 086	Connecting Cable	1	-,-	1	11
45	2 609 110 194	Planetary Gear Train	1	-,-	1	29
47	2 609 110 097	Pinion	1	-,-	1	12
91	2 607 335 511	Battery Pack 12V, 1,2Ah, NiCd	1	-,-	1	44
101	2 609 110 201	Torx Flat-Head Screw 3x16	1	-,-	8	10
107	2 609 110 721	Countersunk-Head Screw M5x20	1	-,-	1	11
109	2 609 100 190	Bit holder	1	-,-	1	16
109	2 610 916 434	Metal Detector	1	-,-	1	35
109	2 610 924 650	Spirit Level	1	-,-	1	32
653	2 607 225 367	Fast Charger USA 120/9,6V-18V, 3h	1	-,-	1	31
803	2 609 120 083	DC motor 12V	1	-,-	1	32

Illustration - Type E



Information subject to change without further notice.