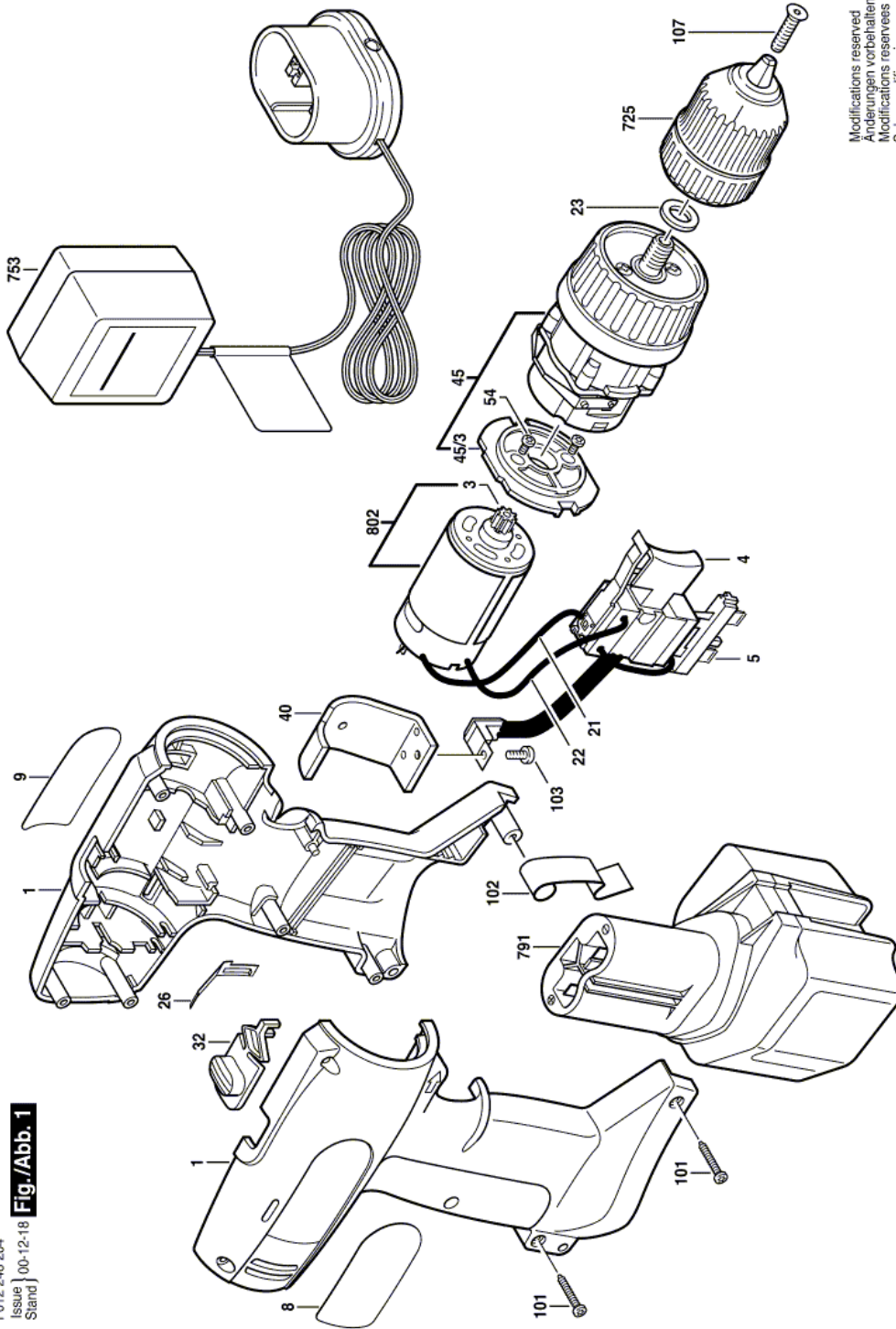


Cordless Screwdriver - F 012 248 204 - 2482

Item	Part Number	Description	Illustration	Price	Quantity	Price Group
	1 2 610 993 842	Motor Housing BLACK	1	-,-	1	23
	3 2 606 316 161	Pinion Z=12	1	-,-	1	15
	4 2 610 967 136	On-Off Switch	1	-,-	1	32
	5 2 610 908 335	Battery Contact 12V	1	-,-	1	15
	8 2 610 994 164	Nameplate	1	-,-	1	-
	9 2 610 994 165	Nameplate	1	-,-	1	-
	21 2 610 967 129	Connecting Cable 105 MM BLACK	1	-,-	1	15
	22 2 610 967 130	Connecting Cable 105 MM RED	1	-,-	1	15
	23 2 610 993 828	Spacer	1	-,-	1	14
	26 2 610 993 329	Leaf Spring	1	-,-	1	11
	32 2 610 993 848	Change-Over Switch	1	-,-	1	13
	40 2 610 967 134	Heat Sink	1	-,-	1	13
	45 2 610 993 845	Gear Housing	1	-,-	1	36
	45/3 2 610 967 693	Washer	1	-,-	1	12
	54 2 603 414 048	Torx SH cap screw M3x5-8.8-Z	1	-,-	2	11
	101 2 610 909 719	Screw BLACK	1	-,-	7	11
	102 2 610 351 018	Latch	1	-,-	1	13
	103 2 610 315 146	Screw	1	-,-	1	11
	107 2 609 110 721	Countersunk-Head Screw M5x20	1	-,-	1	11
	725 2 610 908 303	Chuck 3/8"	1	-,-	1	32
	753 2 610 909 723	Battery Charger USA 120/12V, 3h	1	-,-	1	-
	791 2 610 908 315	Accumulator Battery 12V/120V	1	-,-	1	-
	802 2 610 993 829	Motor 12V	1	-,-	1	28

Illustration - Type E



F012 248 204
Issue | 00-12-18
Stand | **Fig./Abb. 1**

Modifications reserved
Änderungen vorbehalten
Modificacions reserves
Salvo modificaciones

Information subject to change without further notice.