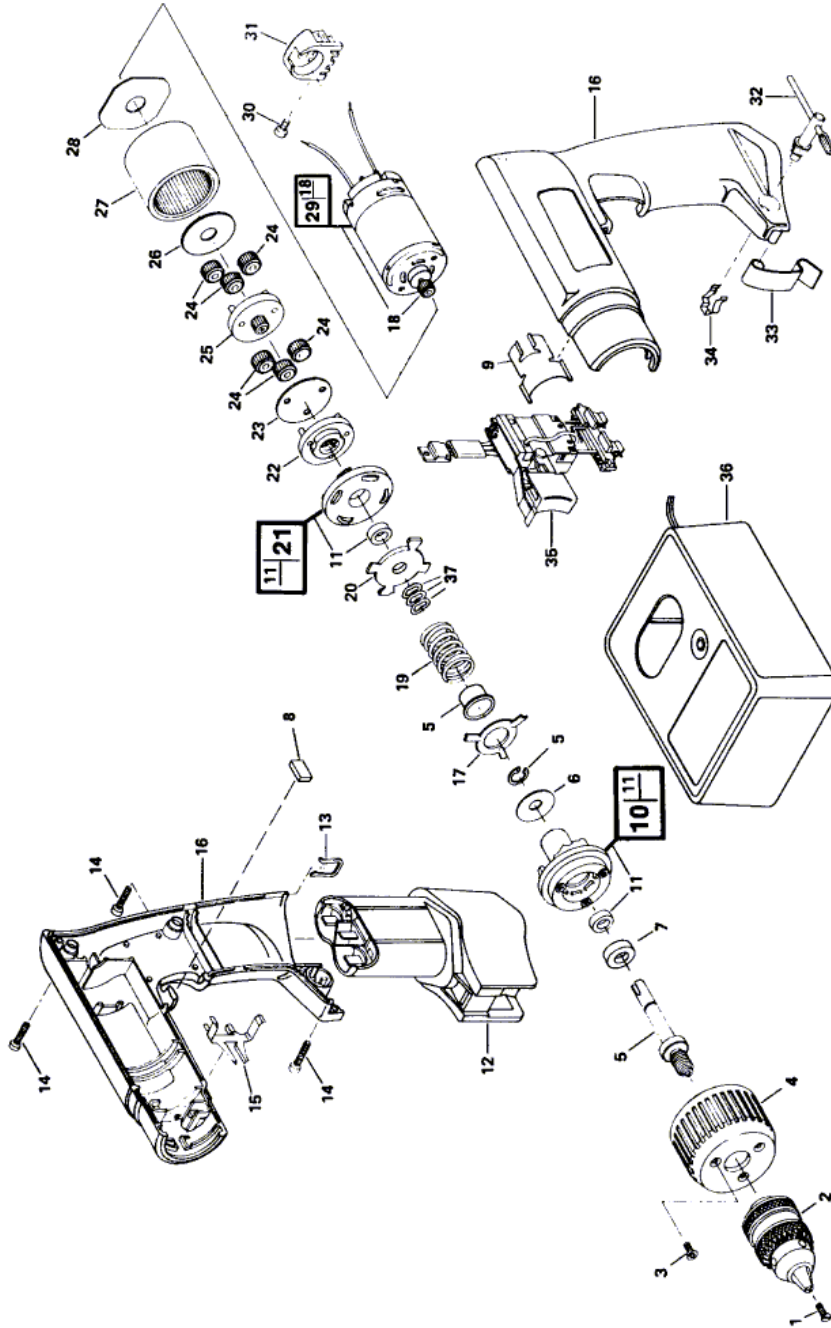


Cordless Screwdriver - F 012 253 599 - 2535 TYPE 2

Item	Part Number	Description	Illustration	Price	Quantity	Price Group
1	2 610 068 005	Screw	1	-,-	1	11
2	2 610 067 974	Chuck 3/8"	1	-,-	1	31
3	2 610 351 043	Screw	1	-,-	1	11
4	2 610 352 856	Sleeve	1	-,-	1	15
5	2 610 904 752	Axle	1	-,-	1	22
6	2 610 026 126	Washer	1	-,-	1	11
7	2 610 354 729	Washer	1	-,-	1	11
8	2 610 352 598	Dust Protection	1	-,-	2	-
9	2 610 351 040	Plate	1	-,-	1	13
10	2 610 351 037	Cam	1	-,-	1	15
11	2 610 351 034	Bearing	1	-,-	2	13
12	2 610 354 060	Battery Set 7.2/120V	1	-,-	1	-
13	2 610 351 046	Support	1	-,-	1	13
14	2 610 315 386	Screw ST3,9x19	1	-,-	5	11
15	2 610 351 041	Cover	1	-,-	1	13
16	2 610 352 360	Housing	1	-,-	1	25
17	2 610 351 012	Washer	1	-,-	1	11
18	2 610 351 015	Toothed Gear	1	-,-	1	11
19	2 610 351 014	Spring	1	-,-	1	11
20	2 610 904 632	Plate	1	-,-	1	15
21	2 610 908 318	Clutch	1	-,-	1	19
22	2 610 351 049	Plate	1	-,-	1	16
23	2 610 351 011	Shim washer	1	-,-	1	12
24	2 610 351 016	Toothed Gear	1	-,-	1	11
25	2 610 351 048	Plate	1	-,-	1	15
26	2 610 351 042	Washer	1	-,-	1	11
27	2 610 908 334	Toothed Gear	1	-,-	1	13
28	2 610 351 013	Washer	1	-,-	1	11
29	2 610 991 892	Motor 7,2V	1	-,-	1	37
30	2 610 315 146	Screw	1	-,-	1	11
31	2 610 351 019	Connector	1	-,-	1	13
32	2 610 092 960	Key Chuck	1	-,-	1	-
33	2 610 351 018	Latch	1	-,-	1	13

Item	Part Number	Description	Illustration	Price	Quantity	Price Group
34	2 610 351 023	Support	1	-,-	1	11
35	2 610 906 479	Toggle Switch	1	-,-	1	-
36	2 610 092 900	Charger USA 120/7,2-12V	1	-,-	1	-
37	2 610 904 752	Axle	1	-,-	3	22

Illustration - Type E



F012253599
Stand }
Issue } 00-05-22
Fig./Abb. 1

Änderungen vorbehalten
Modifications reserved
Modificacions reserves
Salvo modificaciones

Information subject to change without further notice.