

Impact Wrench - 3 601 JA1 311 - 25618

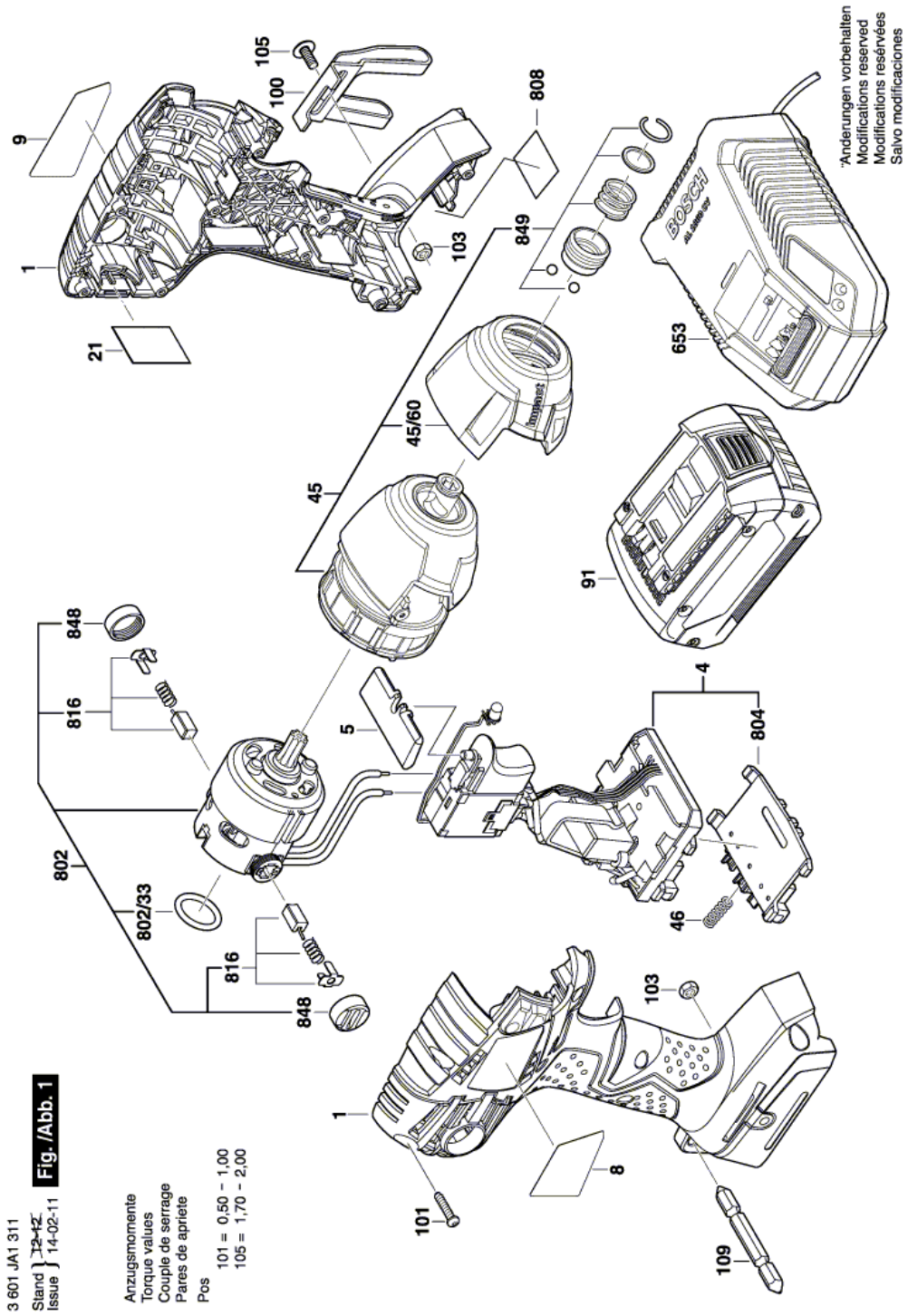
www.powertools-aftersaleservice.com



BOSCH

| Item | Part Number | Description | Illustration | Price | Quantity | Price Group |
|------|----------------------|--|--------------|-------|----------|-------------|
| | 1 2 609 101 136 | Housing | | 1 | -,- | 1 33 |
| | 4 1 607 233 480 | Electronics Module | | 1 | -,- | 1 41 |
| | 5 2 609 100 698 | Button | | 1 | -,- | 1 12 |
| | 8 2 609 131 990 | Warning Label | | 1 | -,- | 1 13 |
| | 9 2 609 132 046 | Nameplate IMPACTOR 18V | | 1 | -,- | 1 13 |
| | 21 2 609 111 485 | Wire Mesh | | 1 | -,- | 1 11 |
| | 45 2 609 199 694 | Gear Box | | 1 | -,- | 1 44 |
| | 45/60 2 609 170 128 | Cap | | 1 | -,- | 1 19 |
| | 46 1 609 280 477 | Compression Spring | | 1 | -,- | 1 11 |
| | 91 2 607 336 093 | Battery Set 18V, 2,6Ah, LI, MS | | 1 | -,- | 1 52 |
| | 91 2 607 336 189 | Slide-In Accu Package 18V, 1,3Ah, LI, MS | | 1 | -,- | 1 48 |
| | 100 2 609 110 833 | Clip | | 1 | -,- | 1 21 |
| | 101 2 609 110 201 | Torx Flat-Head Screw 3x16 | | 1 | -,- | 9 10 |
| | 103 2 609 110 835 | Nut | | 1 | -,- | 2 10 |
| | 105 2 609 110 834 | Screw | | 1 | -,- | 2 10 |
| | 109 2 609 110 343 | Screwdriver Blade | | 1 | -,- | 1 13 |
| | 653 2 607 225 327 | Charger USA 120/10,8-18V, 30 MIN | | 1 | -,- | 1 49 |
| | 653 2 607 225 429 | Fast Charger USA 120/10,8-18V, 1h | | 1 | -,- | 1 41 |
| | 802 2 609 199 276 | DC motor 18V | | 1 | -,- | 1 43 |
| | 802/33 2 609 170 104 | O-Ring | | 1 | -,- | 1 10 |
| | 804 1 609 280 478 | Contact retainer | | 1 | -,- | 1 26 |
| | 808 2 609 132 595 | Label 25618 | | 1 | -,- | 1 - |
| | 816 2 609 199 169 | Carbon-Brush Set | | 1 | -,- | 1 22 |
| | 848 2 609 199 190 | Brush-Cover | | 1 | -,- | 1 15 |
| | 849 2 609 199 223 | Bit holder | | 1 | -,- | 1 23 |

Illustration - Type E



Information subject to change without further notice.