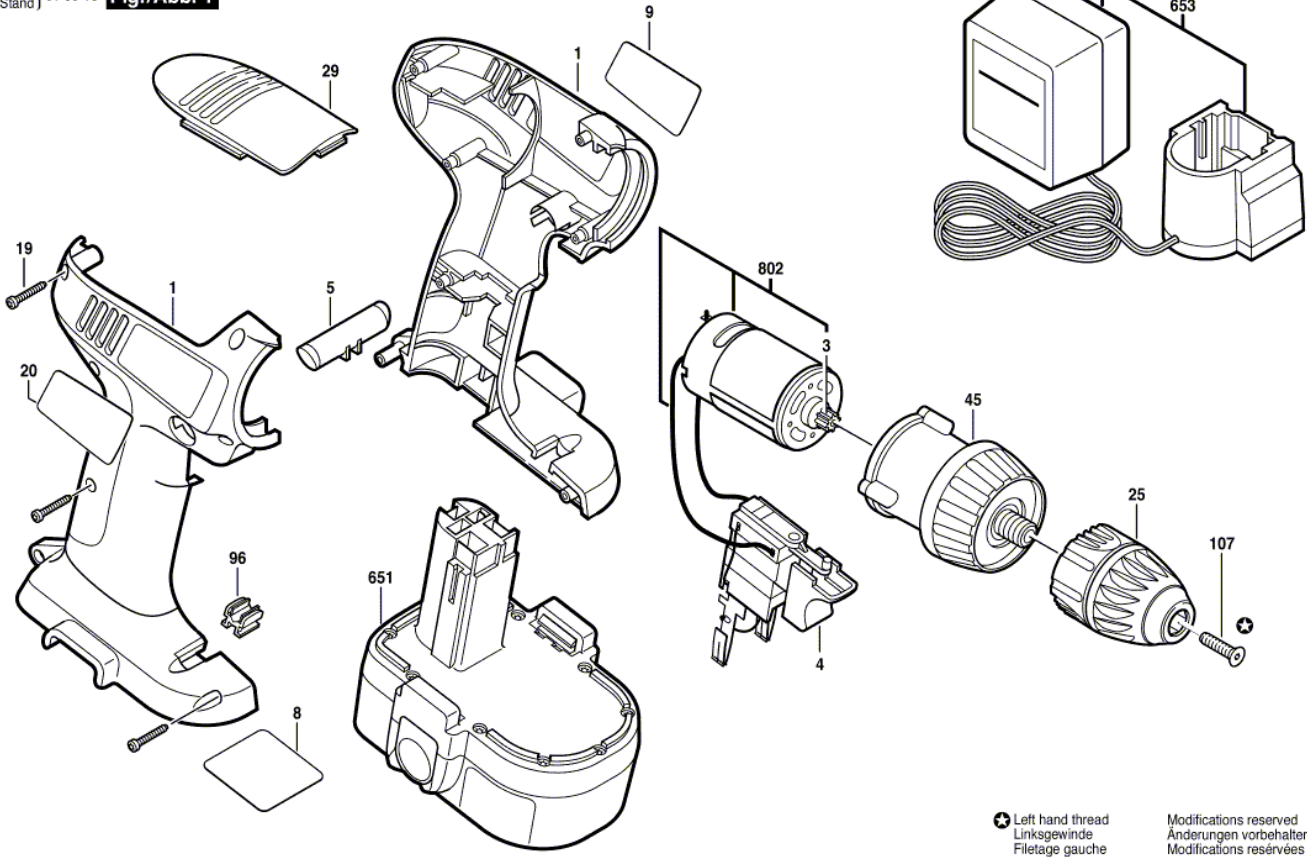


F012 227 000
Issue 1, 01-06-18
Stand | **Fig./Abb. 1**



⊖ Left hand thread
Linksgewinde
Filetage gauche
Rosca izquierda

Modifications reserved
Änderungen vorbehalten
Modifications réservées
Salvo modificaciones

Pos.	Part Number	Description	Pos.	Part Number	Description
1	2 610 997 743	Housing Section			
3	2 610 967 133	Pinion			
4	2 607 200 450	On-Off Switch			
5	2 610 997 745	Switch Handle			
8	2 610 908 179	Nameplate			
9	2 610 908 176	Reference Plate			
19	2 610 909 719	Screw			
20	2 610 908 978	Warning Plate			
25	2 610 993 339	Keyless Chuck			
29	2 610 997 746	Housing Cover			
45	2 610 913 459	Planetary Gear Train			
96	2 610 911 815	Support			
107	2 609 110 721	Countersunk-Head Screw			
651	2 610 908 163	Battery Set			
653	2 607 225 367	Charger			
802	2 610 998 225	Motor			