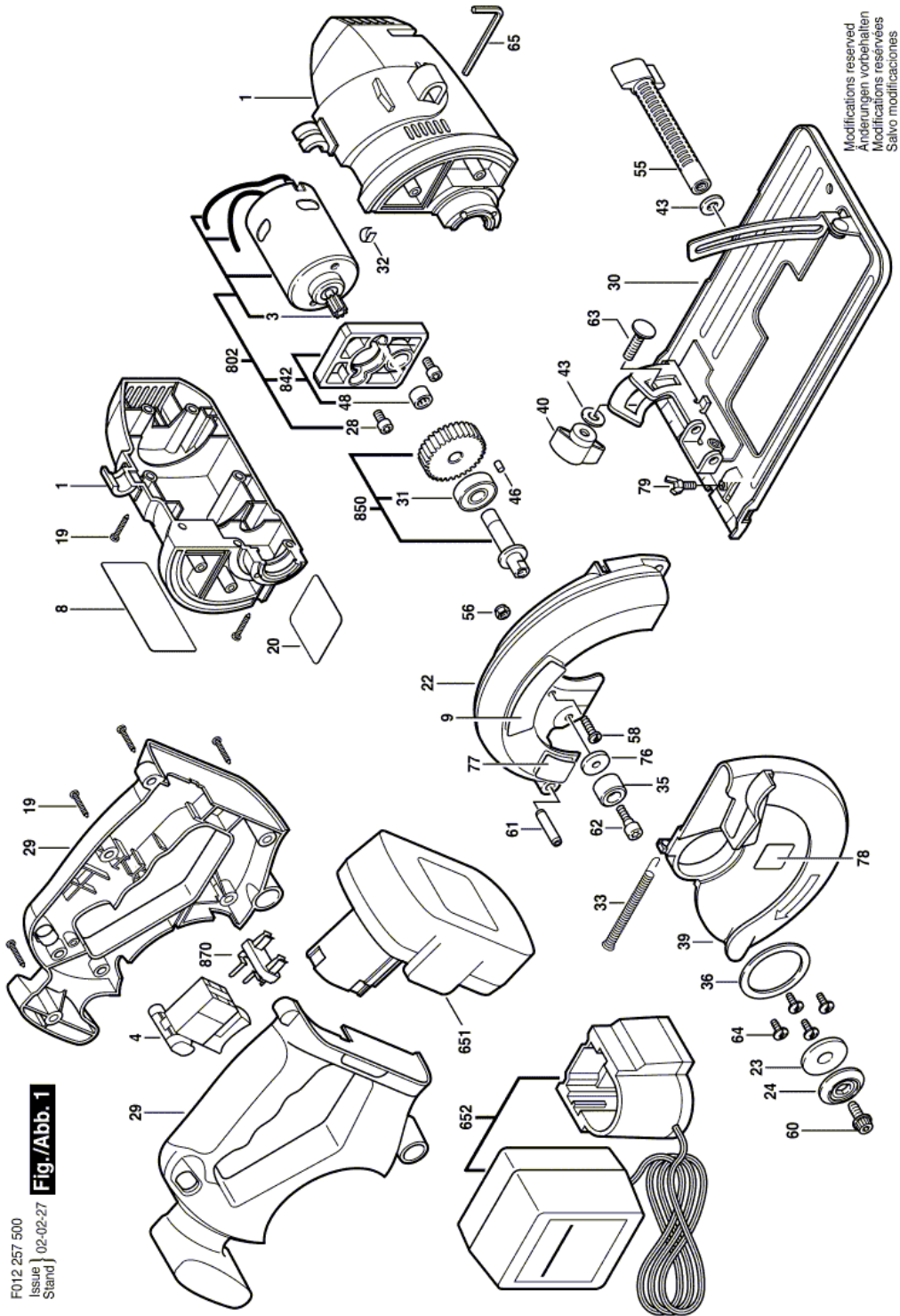


## Accu-Portab Circular Saw - F 012 257 500 - 2575

Item	Part Number	Description	Illustration	Price	Quantity	Price Group
1	2 610 913 574	Housing Set	1	-,-	1	-
3	2 610 997 971	Pinion	1	-,-	1	33
4	2 610 913 575	On-Off Switch	1	-,-	1	-
8	2 610 997 923	Nameplate	1	-,-	1	-
9	2 610 914 036	Manufacturer's nameplate	1	-,-	1	-
19	2 610 909 719	Screw BLACK	1	-,-	14	11
20	2 610 997 931	Warning Plate	1	-,-	1	-
22	2 610 912 771	Protection	1	-,-	1	-
23	2 610 997 474	Special Washer	1	-,-	1	13
24	2 610 997 472	Washer	1	-,-	1	12
28	2 610 997 917	Screw	1	-,-	2	13
29	2 610 997 920	Set Of Handles	1	-,-	1	-
30	2 610 997 535	Base Plate	1	-,-	1	32
31	2 610 904 891	Ball Bearing	1	-,-	1	29
32	2 610 997 508	Spring	1	-,-	1	12
33	2 610 997 489	Extension Spring	1	-,-	1	13
35	1 619 P01 532	End stop	1	-,-	1	11
36	2 610 386 556	Washer	1	-,-	1	12
39	2 610 997 499	Pivoting Blade Guard	1	-,-	1	27
40	2 610 917 567	Knob	1	-,-	1	20
43	1 619 P01 535	Washer	1	-,-	2	11
46	2 610 350 103	Pin	1	-,-	1	11
48	1 600 910 018	Needle bearing Ø8xØ12x8 MM	1	-,-	1	16
55	2 610 997 529	Adjustment Knob	1	-,-	1	19
56	2 610 904 165	Self-locking nut	1	-,-	1	13
58	1 619 X00 504	Screw	1	-,-	4	10
60	2 610 997 475	Flange Bolt	1	-,-	1	13
61	2 610 997 544	Roller Pin	1	-,-	1	13
62	1 619 P01 538	Screw	1	-,-	1	11
63	2 610 017 262	Round-Head Bolt	1	-,-	1	12
64	2 610 907 295	Screw	1	-,-	4	13
65	1 619 P01 540	Hexagon Socket Wrench	1	-,-	1	11
76	2 610 997 546	Washer	1	-,-	1	12

Item	Part Number	Description	Illustration	Price	Quantity	Price Group
77	2 610 997 932	Sticker	1	-,-	1	-
78	2 610 997 925	Warning Plate	1	-,-	1	-
79	2 610 018 222	Screw	1	-,-	1	13
651	2 607 335 328	Accumulator Battery 14,4V, 1,25Ah, NiCd	1	-,-	1	45
652	2 607 225 367	Fast Charger USA 120/9,6V-18V, 3h	1	-,-	1	31
802	2 610 997 922	Motor	1	-,-	1	-
842	2 610 997 521	Motor Plate	1	-,-	1	26
850	2 610 997 514	Assembly Of Service Parts	1	-,-	1	43
870	2 610 913 577	Clip	1	-,-	1	-

Illustration - Type E



Information subject to change without further notice.