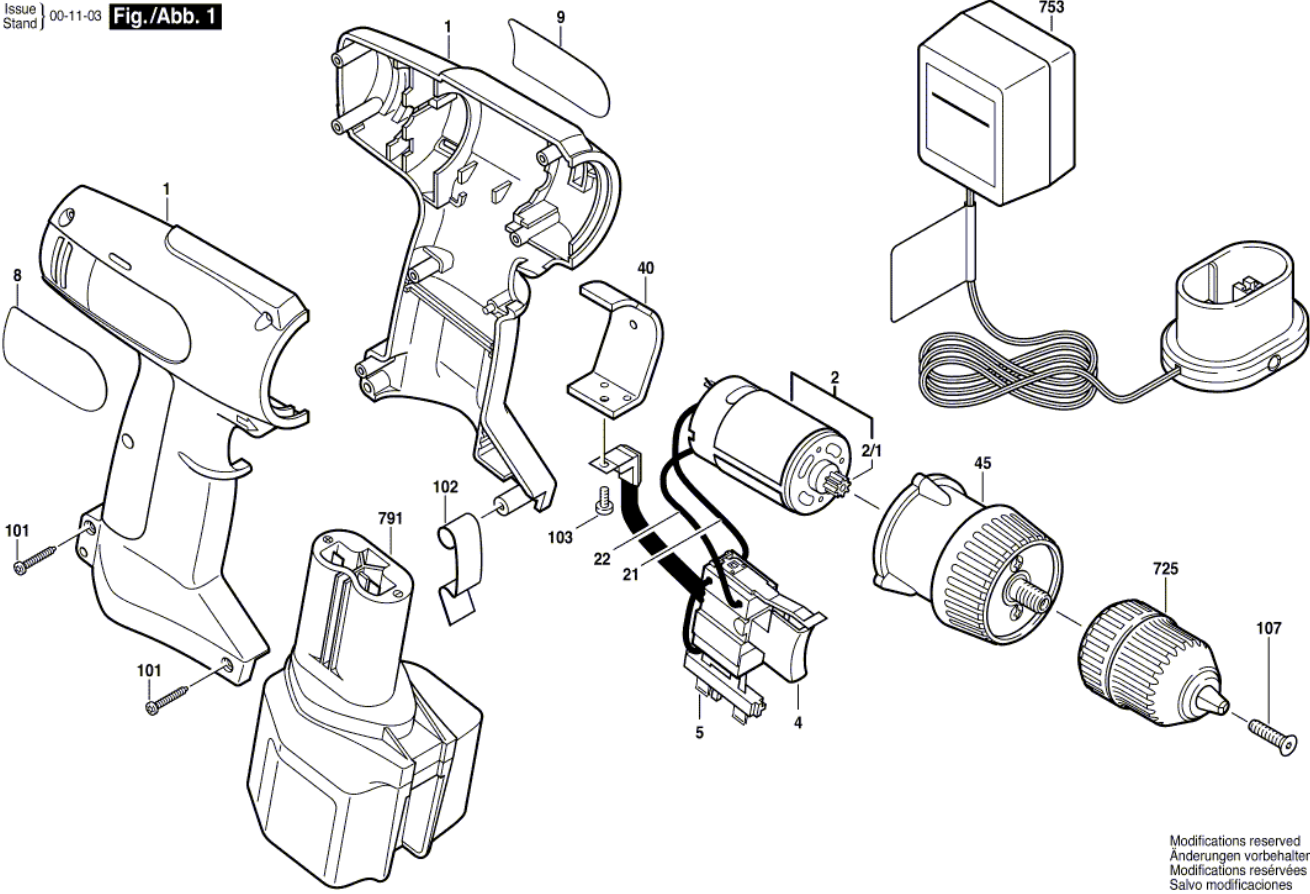


F012 238 002
Issue | 00-11-03
Stand | **Fig./Abb. 1**



Modifications reserved
Änderungen vorbehalten
Modifications réservées
Salvo modificaciones

Pos.	Part Number	Description	Pos.	Part Number	Description
1	2 610 967 121	Housing			
2	2 610 967 144	Pinion			
2/1	2 610 967 133	Pinion			
4	2 610 967 136	On-Off Switch			
5	2 610 910 424	Battery Contact			
8	2 610 993 006	Manufacturer's nameplate			
9	2 610 993 007	Reference Plate			
21	2 610 967 129	Connecting Cable			
22	2 610 967 130	Connecting Cable			
40	2 610 967 134	Heat Sink			
45	2 610 967 124	Gear Housing			
101	2 610 909 719	Screw			
102	2 610 351 018	Latch			
103	2 610 315 146	Screw			
107	2 609 110 721	Countersunk-Head Screw			
725	2 610 908 303	Chuck			
753	2 610 992 951	Charger			
791	2 610 967 146	Battery Pack			