

Impact Wrench - 3 601 JA1 010 - 26618

www.powertools-aftersaleservice.com



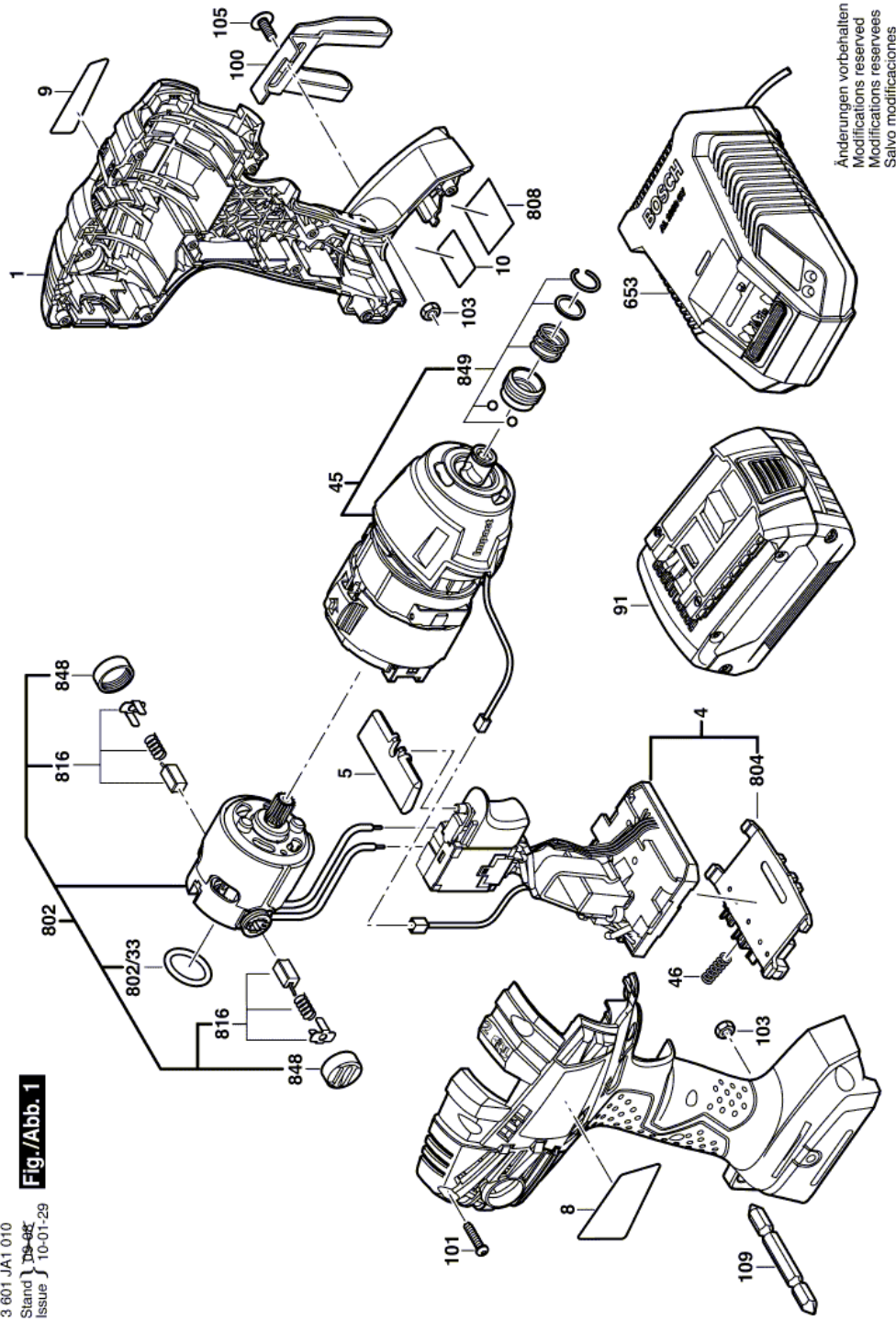
BOSCH

Item	Part Number	Description	Illustration	Price	Quantity	Price Group
	1 2 609 100 788	Housing BLUE	1	-,-	1	33
	4 1 607 233 351	Electronic Assembly	1	-,-	1	44
	5 2 609 100 698	Button	1	-,-	1	12
	8 2 609 132 444	Warning Label	1	-,-	1	13
	9 2 609 132 427	Manufacturer's nameplate	1	-,-	1	13
	10 2 609 132 615	Reference Plate	1	-,-	1	13
	45 2 609 199 254	Gear Box	1	-,-	1	46
	46 1 609 280 477	Compression Spring	1	-,-	1	11
	91 2 607 336 093	Battery Set 18V, 2,6Ah, LI, MS	1	-,-	1	52
	91 2 607 336 323	Slide-In Accu Package 18V, 1,3Ah, LI	1	-,-	1	-
	100 2 609 110 833	Clip	1	-,-	1	21
	101 2 609 110 201	Torx Flat-Head Screw 3x16	1	-,-	10	10
	103 2 609 110 835	Nut	1	-,-	2	10
	105 2 609 110 834	Screw	1	-,-	1	10
	109 2 609 110 343	Screwdriver Blade	1	-,-	1	13
	653 2 607 225 327	Charger USA 120/10,8-18V, 30 MIN	1	-,-	1	49
	653 2 607 225 429	Fast Charger USA 120/10,8-18V, 1h	1	-,-	1	41
	802 2 609 199 263	DC motor 18V	1	-,-	1	44
802/33	2 609 170 104	O-Ring	1	-,-	1	10
	804 1 609 280 478	Contact retainer	1	-,-	1	26
	808 2 609 132 419	Nameplate	1	-,-	1	13
	816 2 609 199 169	Carbon-Brush Set	1	-,-	1	22
	848 2 609 199 190	Brush-Cover	1	-,-	1	15
	849 2 609 199 223	Bit holder	1	-,-	1	23

Product information Impact Wrench - 3 601 JA1 010 - 26618

Product No	3 601 JA1 010
Description	251.674; Impact Wrench
DIN-Text	
ID_Text_Ext	0
Trading_Description	26618
Voltage_1	18 V
ID_Country_Product	USA

Illustration - Type E



3 601 JA1 010
Stand } 2014-04
Issue } 10-01-29
Fig./Abb. 1

Information subject to change without further notice.