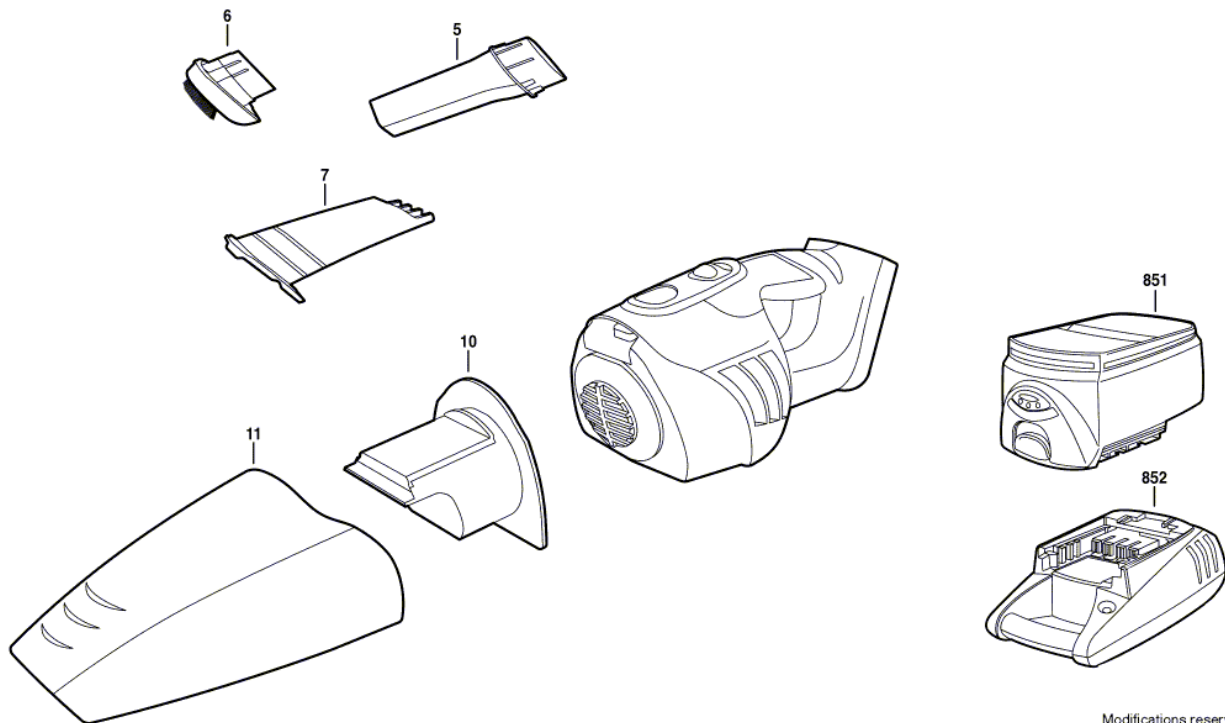


F012281001  
Issue | 05-05-26  
Stand | **Fig./Abb. 1**



Modifications reserved  
Änderungen vorbehalten  
Modifications resErVees  
Salvo modificaciones

Pos.	Part Number	Description	Pos.	Part Number	Description
5	2 610 925 052	Crevice Nozzle			
6	2 610 925 053	Strip brush			
7	2 610 925 054	Nozzle			
10	2 610 933 148	Filter			
11	2 610 933 149	Dust Chamber			
851	2 607 335 545	Accumulator Battery			
852	2 607 224 935	Fast Charger			