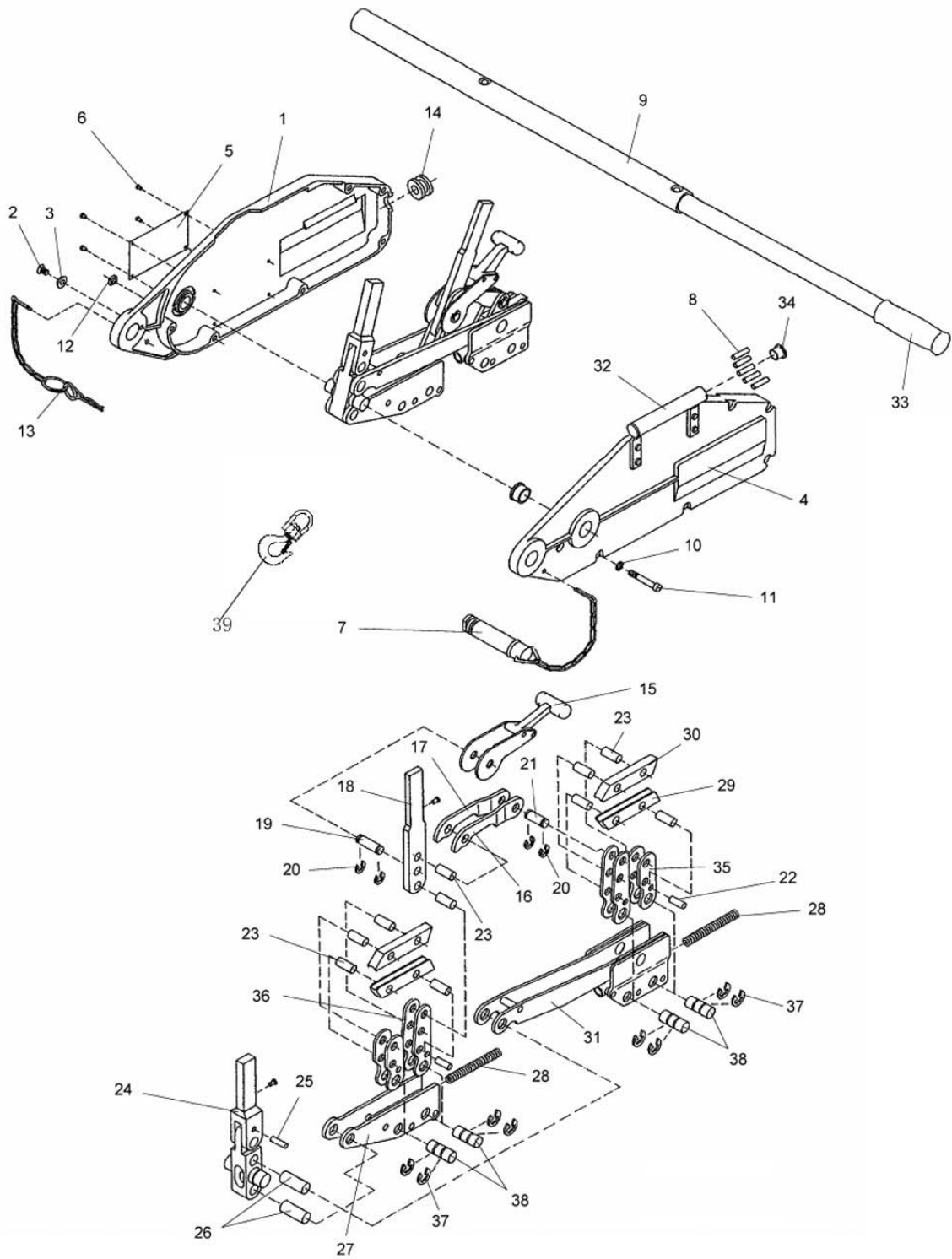


JG-150A (1-1/2 Ton Grip Puller)



Parts List: JG-150A (1-1/2 Ton Grip Puller)

Index No.	Part No.	Description	Size	Qty
1	JG150A-1	Case, Right		1
2	TS-2285121	Flat Head Screw	M5x12	1
3	JG75A-3	Washer		1
4	JG150A-4	Case, Left		1
5	JG150A-5	Name Plate		1
6	JG75A-6	Rivet	M2x6	4
7	JG150A-7	Fastening Bolt Assembly		1
8	JG150A-8	Shear Pin		5
9	JG150A-9	Telescopic Handle		1
10	TS-1551041	Lock Washer	M6	6
11	TS-1503121	Socket Head Cap Screw	M6x55	6
12	JG75A-12	Square Nut	M6	6
13	JG75A-13	Cotter Pin Assembly		1
14	JG150A-14	Wire Rope Guide Sleeve		1
15	JG150A-15	Release Lever		1
16	JG150A-16	Push Link, Left		1
17	JG150A-17	Push Link, Right		1
18	JG150A-18	Reverse (Backwards Action) Lever		1
19	JG150A-19	Shaft		1
20	JG150A-20	Retaining Ring	Ø9	4
21	JG150A-21	Shaft		1
22	JG150A-22	Pin		2
23	JG150A-23	Thrust Pin		10
24	JG150A-24	Forward Action Lever Assembly		1
25	JG150A-8	Shear Pin		1
26	JG150A-26	Axle		2
27	JG150A-27	Front Slide		2
28	JG150A-28	Spring		2
29	JG150A-29	Bottom Clamp		2
30	JG150A-30	Top Clamp		2
31	JG150A-31	Back Slide Assembly		1
32	JG150A-32	Hand Grip Assembly		1
33	JG150A-33	Rubber Handle Grip		1
34	JG150A-34	Cap		2
35	JG150A-35	Clamp Plate, Short		4
36	JG150A-36	Clamp Plate, Long		4
37	JG150A-37	Retaining Ring	Ø12	8
38	JG150A-38	Shaft		4
39	JG150A-39	Swivel Hook		1
	JG75A-WL	Warning Label (not shown)		1
	286514	1-1/2T Wire Rope, 66 Ft (not shown)		1