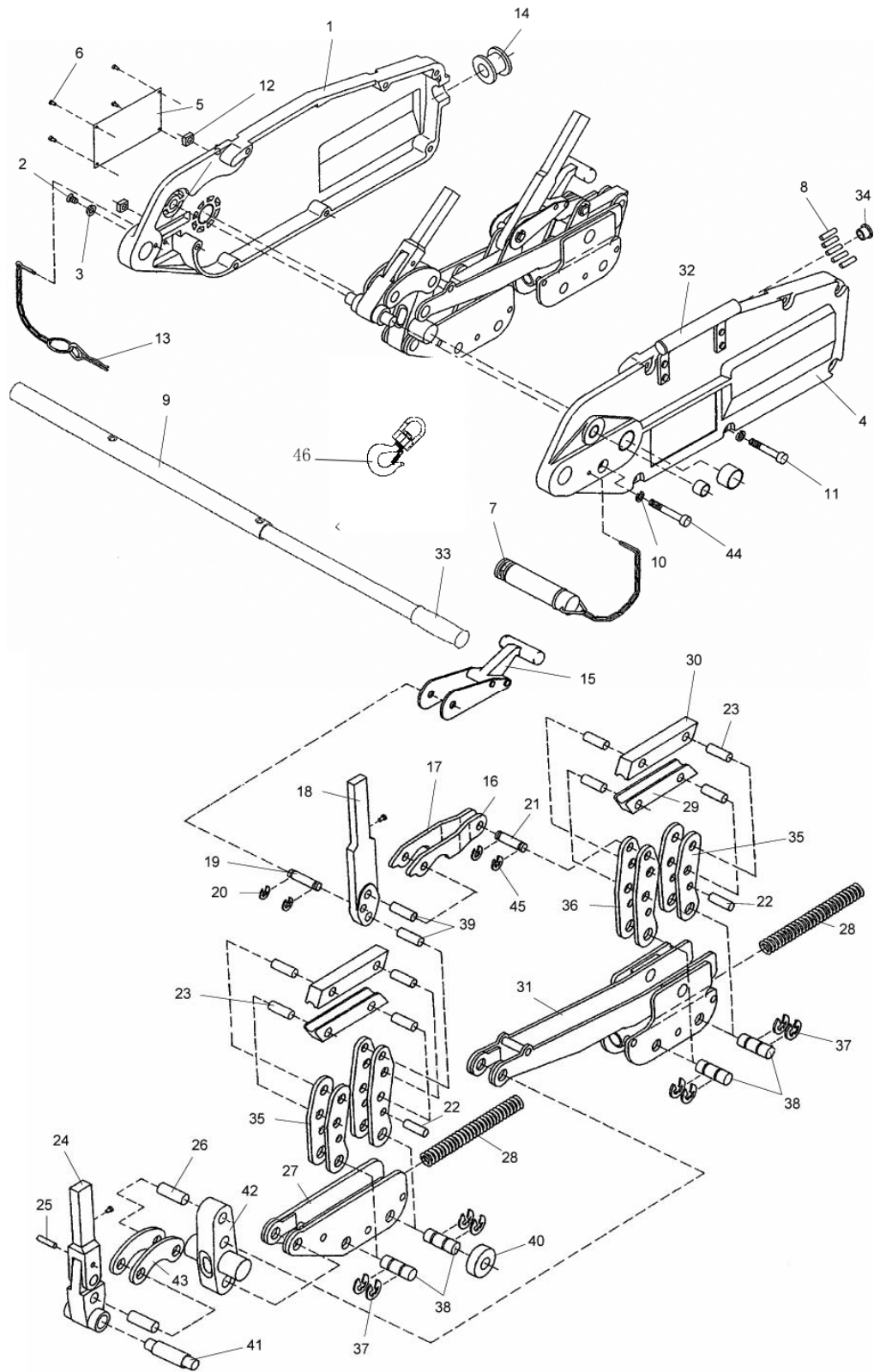


JG-300A (3 Ton Grip Puller)



Parts List: JG-300A (3 Ton Grip Puller)

Index No.	Part No.	Description	Size	Qty
1	JG300A-1	Case, Right		1
2	JG300A-2	Flat Head Screw	M5x8	1
3	JG75A-3	Washer		1
4	JG300A-4	Case, Left		1
5	JG300A-5	Name Plate		1
6	JG75A-6	Rivet	M2x6	4
7	JG300A-7	Fastening Bolt Assembly		1
8	JG300A-8	Shear Pin		5
9	JG150A-9	Telescopic Handle		1
10	TS-1551061	Lock Washer	M8	6
11	TS-1504131	Socket Head Cap Screw	M8x70	6
12	JG300A-12	Square Nut	M8	6
13	JG75A-13	Cotter Pin Assembly		1
14	JG300A-14	Wire Rope Guide Sleeve		1
15	JG300A-15	Release Lever		1
16	JG300A-16	Push Link, Left		1
17	JG300A-17	Push Link, Right		1
18	JG300A-18	Reverse (Backwards Action) Lever		1
19	JG300A-19	Shaft		1
20	JG300A-20	Retaining Ring	Ø8	2
21	JG300A-21	Shaft		1
22	JG300A-22	Pin		2
23	JG300A-23	Thrust Pin		8
24	JG300A-24	Forward Action Lever Assembly		1
25	JG300A-8	Shear Pin		1
26	JG300A-26	Axle		2
27	JG300A-27	Front Slide		2
28	JG300A-28	Spring		2
29	JG300A-29	Bottom Clamp		2
30	JG300A-30	Top Clamp		2
31	JG300A-31	Back Slide Assembly		1
32	JG150A-32	Hand Grip Assembly		1
33	JG150A-33	Rubber Handle Grip		1
34	JG150A-34	Cap		2
35	JG300A-35	Clamp Plate, Short		4
36	JG300A-36	Clamp Plate, Long		4
37	JG150A-37	Retaining Ring	Ø12	8
38	JG300A-38	Shaft		4
39	JG300A-39	Pin		2
40	JG300A-40	Roller		1
41	JG300A-41	Shaft		1
42	JG300A-42	Center Post		1
43	JG300A-43	Actuating Link		2
44	JG300A-44	Socket Head Cap Screw	M8x85	1
45	JG150A-20	Retaining Ring	Ø9	2
46	JG300A-46	Swivel Hook		1
	JG75A-WL	Warning Label (not shown)		1
	286529	3T Wire Rope, 66 Ft (not shown)		1