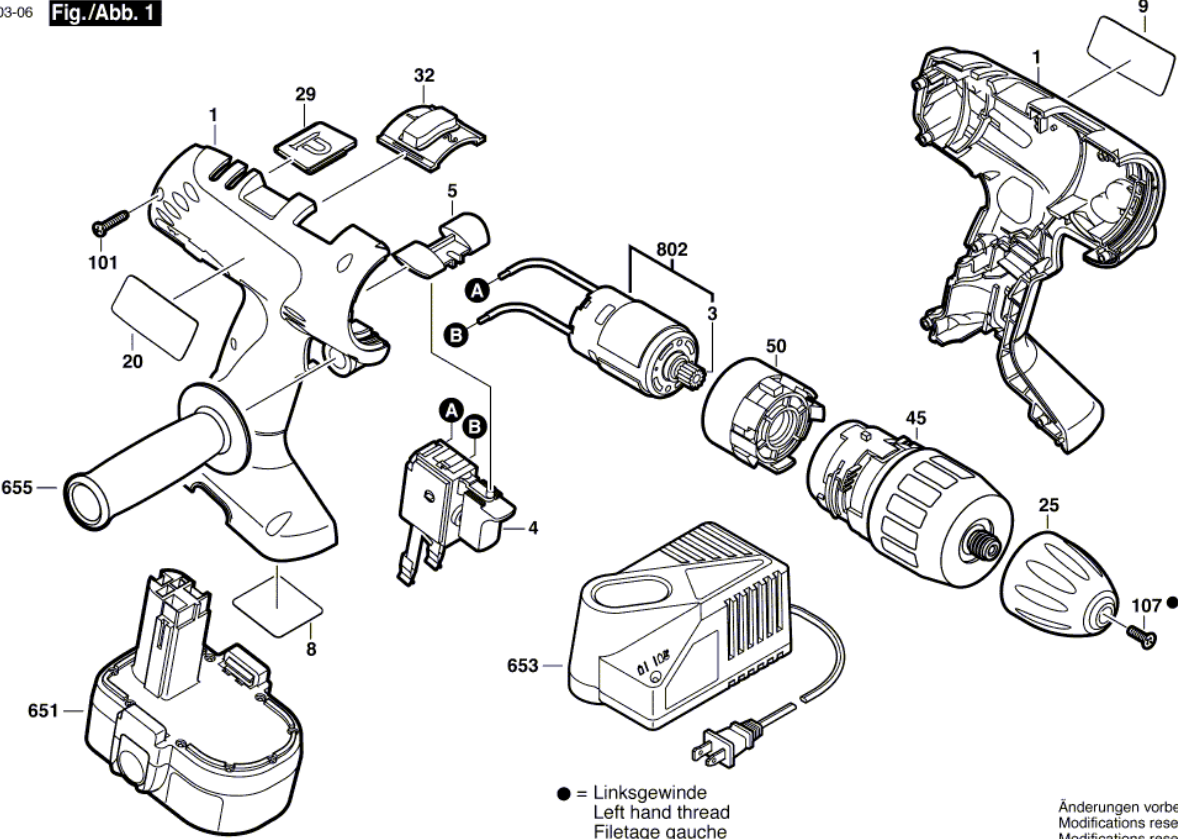


F 012 288 400
 Stand 02-03-06
 Issue J

Fig./Abb. 1



● = Linksgewinde
 Left hand thread
 Filetage gauche
 Rosca izquierda

Änderungen vorbehalten
 Modifications reserved
 Modifications reserves
 Salvo modificaciones

Pos.	Part Number	Description	Pos.	Part Number	Description
1	2 610 912 978	Housing Section			
3	2 606 316 196	Pinion			
4	2 607 200 483	On-Off Switch			
5	2 601 099 116	Adjusting Slide			
8	2 610 913 246	Nameplate			
9	2 610 913 244	Label			
20	2 610 913 245	Label			
25	2 610 913 501	Chuck			
29	2 600 290 043	Magnet Disk			
32	2 601 099 098	Adjusting Slide			
45	2 606 200 151	Planetary Gear Train			
50	2 605 719 027	Intermediate Flange			
101	2 603 490 018	Torx Oval-Head Screw			
107	2 603 421 229	Countersunk-Head Screw			
651	2 607 335 330	Accumulator Battery			
653	2 607 224 861	Charger			
655	2 602 025 067	Auxiliary Handle			
802	2 610 913 392	DC motor			