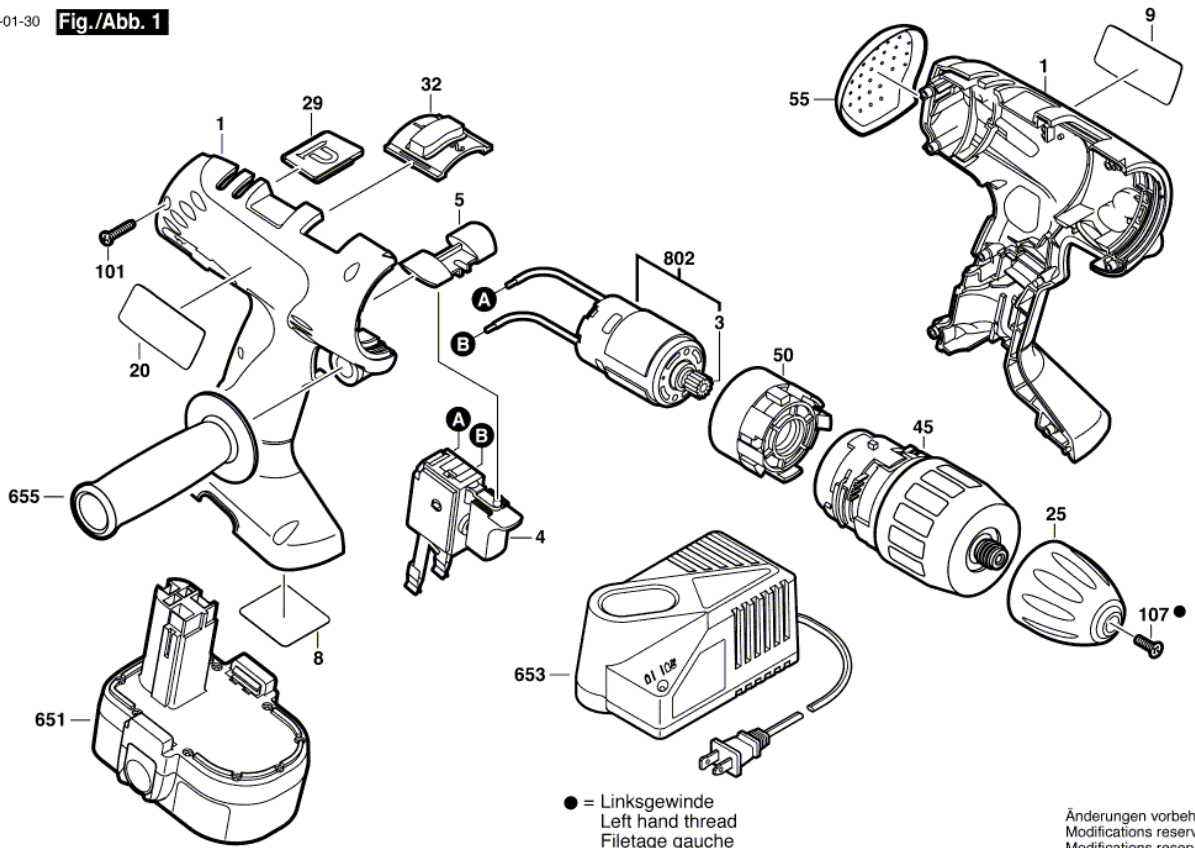


F 012 288 500

Stand Issue 02-01-30

**Fig./Abb. 1**



● = Linksgewinde  
 Left hand thread  
 Filetage gauche  
 Rosca izquierda

Änderungen vorbehalten  
 Modifications reserved  
 Modifications reserves  
 Salvo modificaciones

Pos.	Part Number	Description	Pos.	Part Number	Description
1	2 610 912 979	Housing Section			
3	2 606 316 188	Pinion			
4	2 607 200 483	On-Off Switch			
5	2 601 099 116	Adjusting Slide			
8	2 610 913 255	Nameplate			
9	2 610 913 253	Label			
20	2 610 913 254	Label			
25	2 610 913 340	Chuck			
29	2 600 290 043	Magnet Disk			
32	2 601 099 098	Adjusting Slide			
45	2 606 200 152	Planetary Gear Train			
50	2 605 719 027	Intermediate Flange			
55	2 608 040 198	Handle Cover			
101	2 603 490 018	Torx Oval-Head Screw			
107	2 603 421 229	Countersunk-Head Screw			
651	2 607 335 330	Accumulator Battery			
653	2 607 224 861	Charger			
655	2 602 025 067	Auxiliary Handle			
802	2 610 913 394	DC motor			