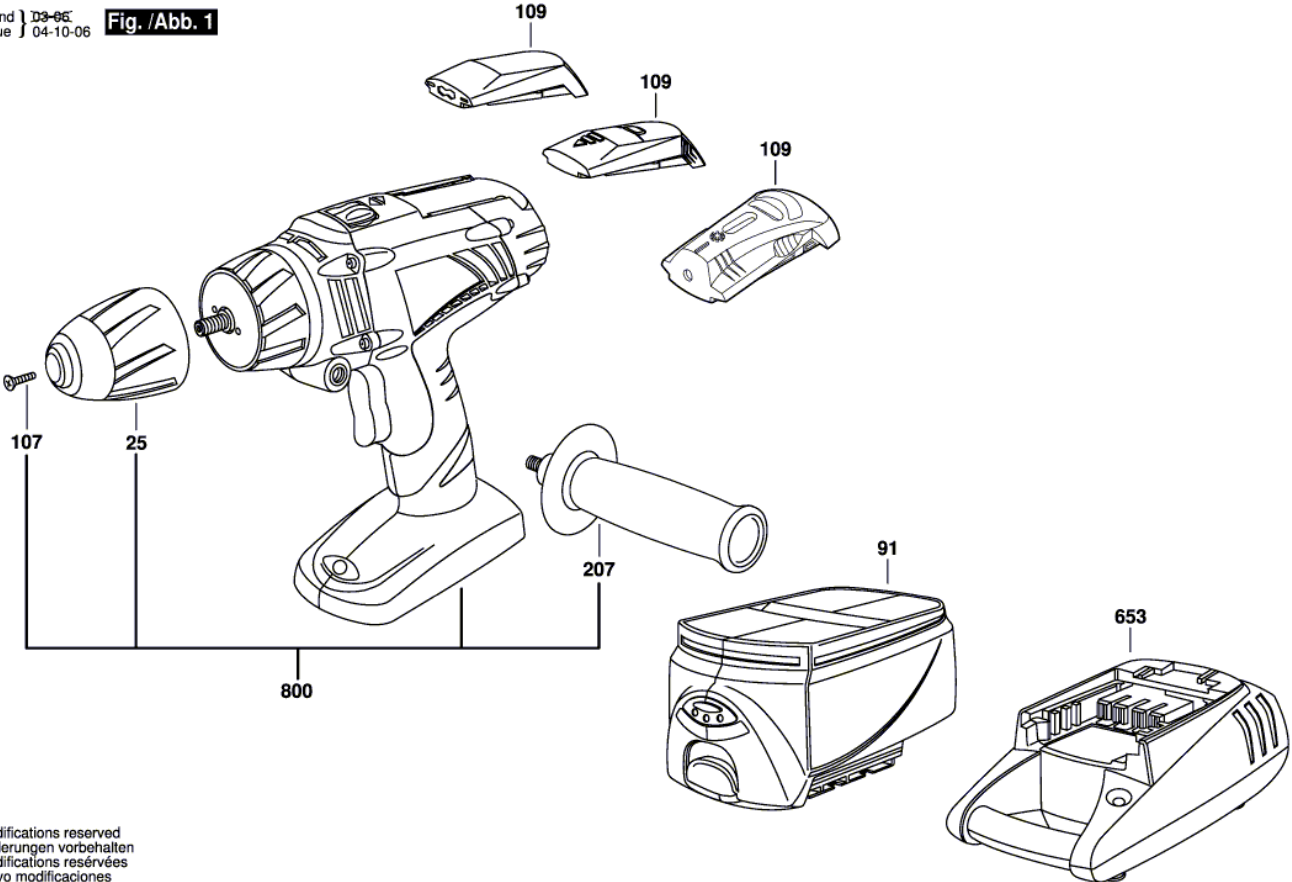


F 012 288 705
Stand | 03-06
Issue | 04-10-06

Fig. / Abb. 1



Modifications reserved
Änderungen vorbehalten
Modifications réservées
Salvo modificaciones

Pos.	Part Number	Description	Pos.	Part Number	Description
91	2 607 335 545	Accumulator Battery			
107	2 609 110 721	Countersunk-Head Screw			
109	2 610 924 433	Spirit Level			
207	2 609 100 228	Handle			