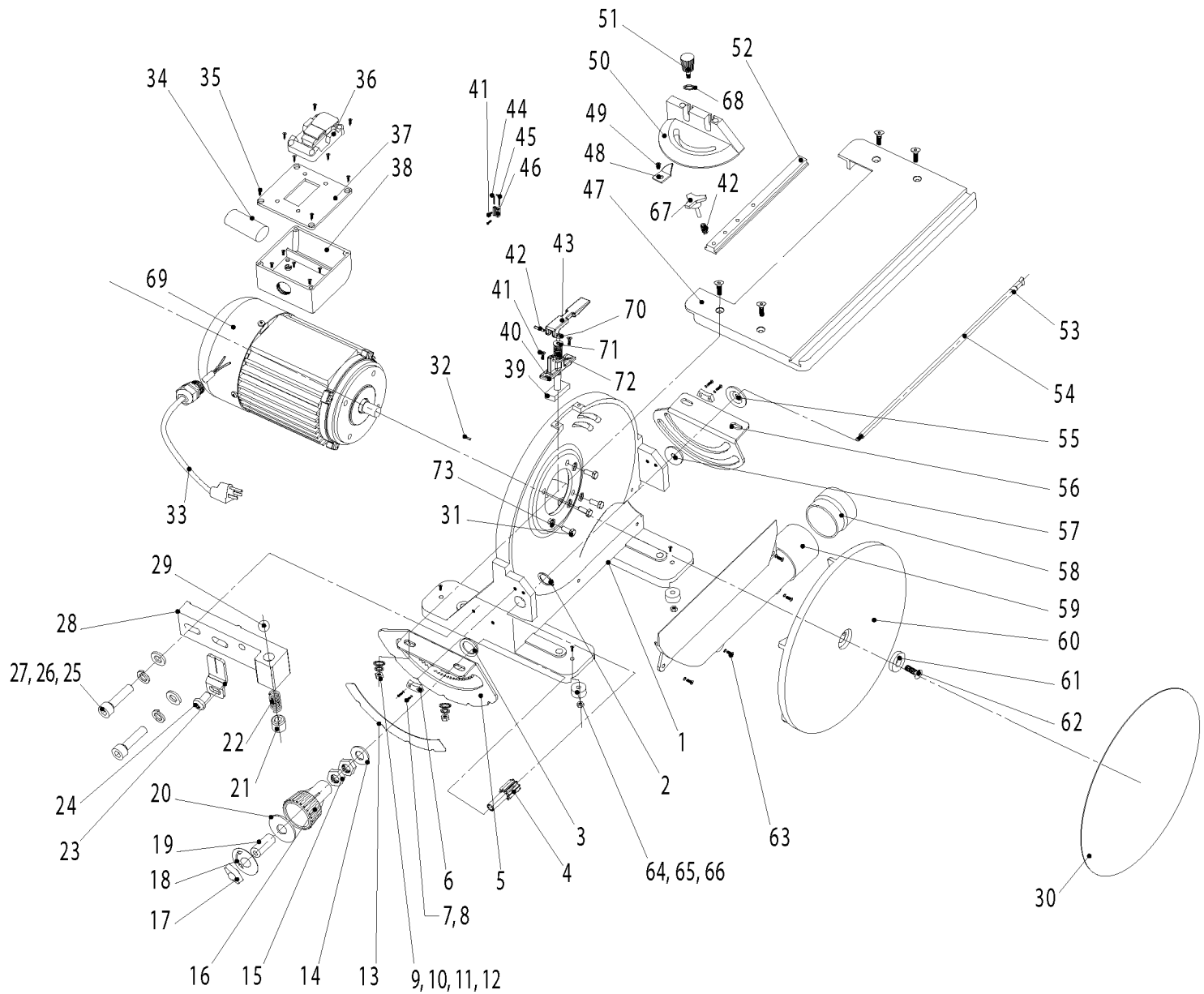




POWER EQUIPMENT CORPORATION

AFM-28
PART # DPEC001372
DATE: 1-25-12

31-140 12IN. DISC SANDER



Parts List for 31-140 Type 1

Item Number	Part Number	Description	Qty Required
1	DPEC001293	BASE	1
2	DPEC001294	RETAINING RING	1
3	DPEC001295	WASHER	1
4	DPEC001296	GEAR SHAFT	1
5	DPEC001297	FRONT TRUNNION	1
6	DPEC001298	GUIDE SHAFT	2
7	DPEC001299	HEX NUT	4
8	DPEC001300	SPRING WASHER	4
9	DPEC001301	SCREW	4
10	DPEC001302	WASHER	4
11	DPEC001303	SPRING WASHER	4
12	DPEC001304	HEX NUT	4
13	DPEC001305	SCALE	1
14	DPEC001306	WASHER	1
15	DPEC001307	HEX NUT	2
16	DPEC001308	ADJUSTING HANDLE	1
17	DPEC001309	LOCK KNOB	1
18	DPEC001310	LOCK LABEL	1
19	DPEC001311	ADJUSTING TUBE	1
20	DPEC001312	HANDLE CAP	1
21	DPEC001313	SET SCREW	1
22	DPEC001314	SPRING	1
23	DPEC001315	POINTER	1
24	DPEC001316	SCREW	1
25	DPEC001317	BOLT	2
26	DPEC001318	WASHER	2
27	DPEC001319	SPRING WASHER	2

Parts List for 31-140 Type 1

Item Number	Part Number	Description	Qty Required
28	DPEC001320	MOUNTING BASE	1
29	DPEC001321	BALL	1
30	DPEC001322	DISC	1
31	DPEC001323	HEX SCREW	4
32	DPEC001324	FLAT BOLT	1
33	DPEC001325	POWER CORD	1
34	DPEC001326	CAPACITOR	1
35	DPEC001327	SCREW	7
36	DPEC001328	SWITCH	1
37	DPEC001329	SWITCH BOX COVER	1
38	DPEC001330	SWITCH BOX	1
39	DPEC001331	BRAKE PAD	1
40	DPEC001332	BRAKE BRACKET	1
41	DPEC001333	SCREW	5
42	DPEC001334	BRAKE SPRING	2
43	DPEC001335	BRAKE LEVER	1
44	DPEC001336	ALLEN WRENCH	1
45	DPEC001337	ALLEN WRENCH	1
46	DPEC001338	TOOL HOLDER	1
47	DPEC001339	TABLE	1
48	DPEC001340	POINTER	1
49	DPEC001341	SCREW	1
50	DPEC001342	MITER GAUGE BODY	1
51	DPEC001343	LOCK KNOB	1
52	DPEC001344	GUIDE BLOCK	1
53	DPEC001345	O-RING	2
54	DPEC001346	LOCK SHAFT	1

Parts List for 31-140 Type 1

Item Number	Part Number	Description	Qty Required
55	DPEC001347	WASHER	1
56	DPEC001348	REAR TRUNNION	1
57	DPEC001349	WASHER	1
58	DPEC001350	DUST PORT	1
59	DPEC001351	PLASTIC SHIELD	1
60	DPEC001352	DISC BODY	1
61	DPEC001353	WASHER	1
62	DPEC001354	SCREW	1
63	DPEC001355	SCREW	4
64	DPEC001356	SCREW	4
65	DPEC001357	SCREW	4
66	DPEC001358	RUBBER WASHER	4
67	DPEC001359	HEX NUT	1
68	DPEC001360	WASHER	1
69	DPEC001361	MOTOR	1
70	DPEC001362	HEX NUT	1
71	DPEC001363	WASHER	1
72	DPEC001364	BRAKE SPRING	1
73	DPEC001365	SPRING WASHER	4