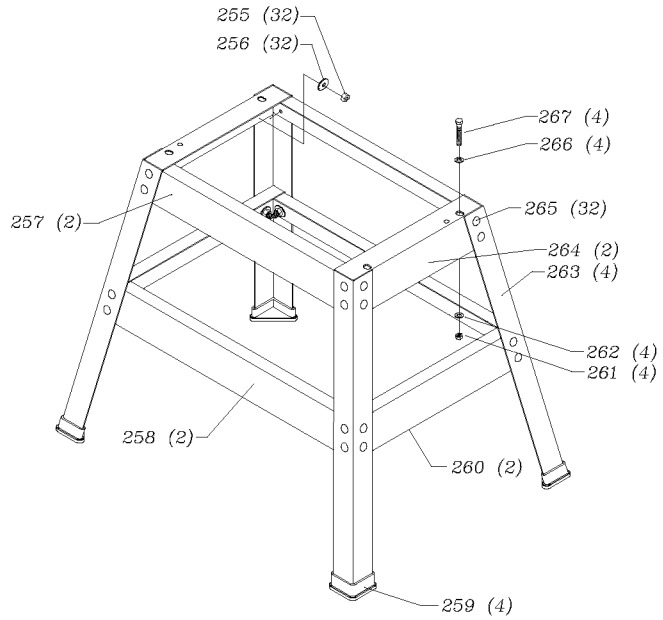
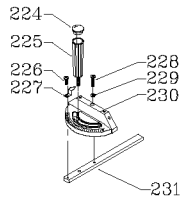
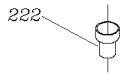
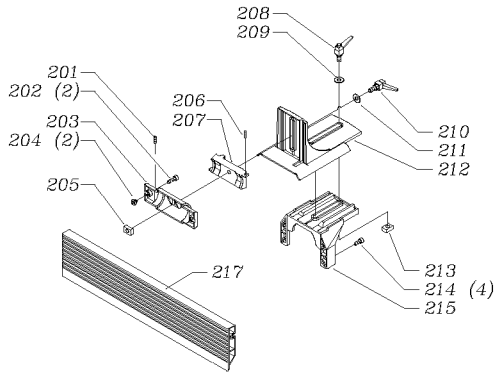
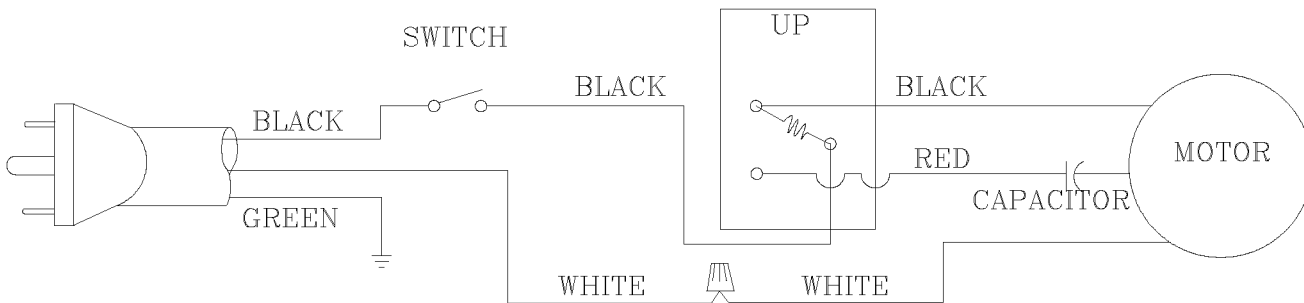


AVAILABLE AS AN ACCESSORY



WIRING DIAGRAM

RELAY



## Parts List for 31-691 Type 1

Item Number	Part Number	Description	Qty Required
201	1246137	SET SCREW	1
202	1246004	CAP SCREW	2
203	906203	BRACKET	1
204	1342697	M6 SQ NUT	2
205	1345900	SPECIAL NUT	1
206	1246137	SET SCREW	1
207	906204	BRACKET	1
208	000000-00	No Longer Available	1
209	1344330	FLAT WASHER	1
210	1346371	HANDLE	1
211	1344330	FLAT WASHER	1
212	906206	BRACKET	1
213	1345900	SPECIAL NUT	1
214	1243336	SCREW	4
215	000000-00	No Longer Available	1
217	000000-00	No Longer Available	1
222	49-220	HOSE ADAPTER	1
224	422020740001S	HOLE PLUG	1
225	422020600003S	HANDLE	1
226	901051631126S	SCREW	1
227	1087397	POINTER	1
228	422341120002	PIVOT SCREW	1
229	000000-00	No Longer Available	1
230	34-895	MITER GAUGE	1
231	000000-00	No Longer Available	1