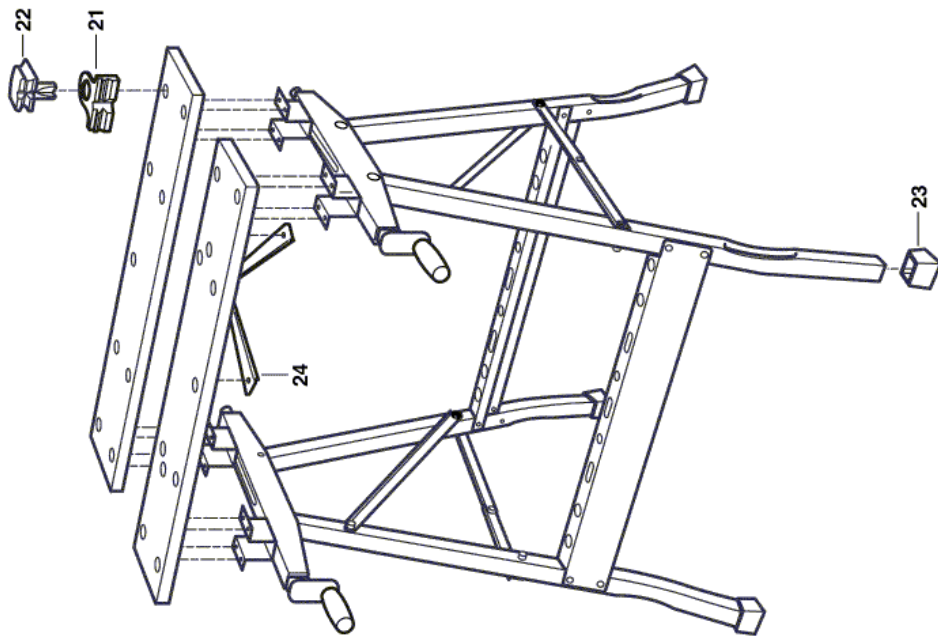


11.08.2015 |

. - F 012 311 000 - 3110

Item	Part Number	Description	Illustration	Price	Quantity	Price Group
21	2 610 398 926	Clamp	1	-,-	4	18
22	2 610 398 925	Clamp	1	-,-	4	21
23	2 610 398 927	Supporting foot 25	1	-,-	4	18
24	2 610 398 929	Workpiece support 25	1	-,-	2	21

Illustration - Type E



F 012 311 000
Stand }
Issue } 10-07-12
Fig./Abb. 1

Änderungen vorbehalten
Modifications reserved
Modificacions reserves
Salvo modificaciones

Information subject to change without further notice.