

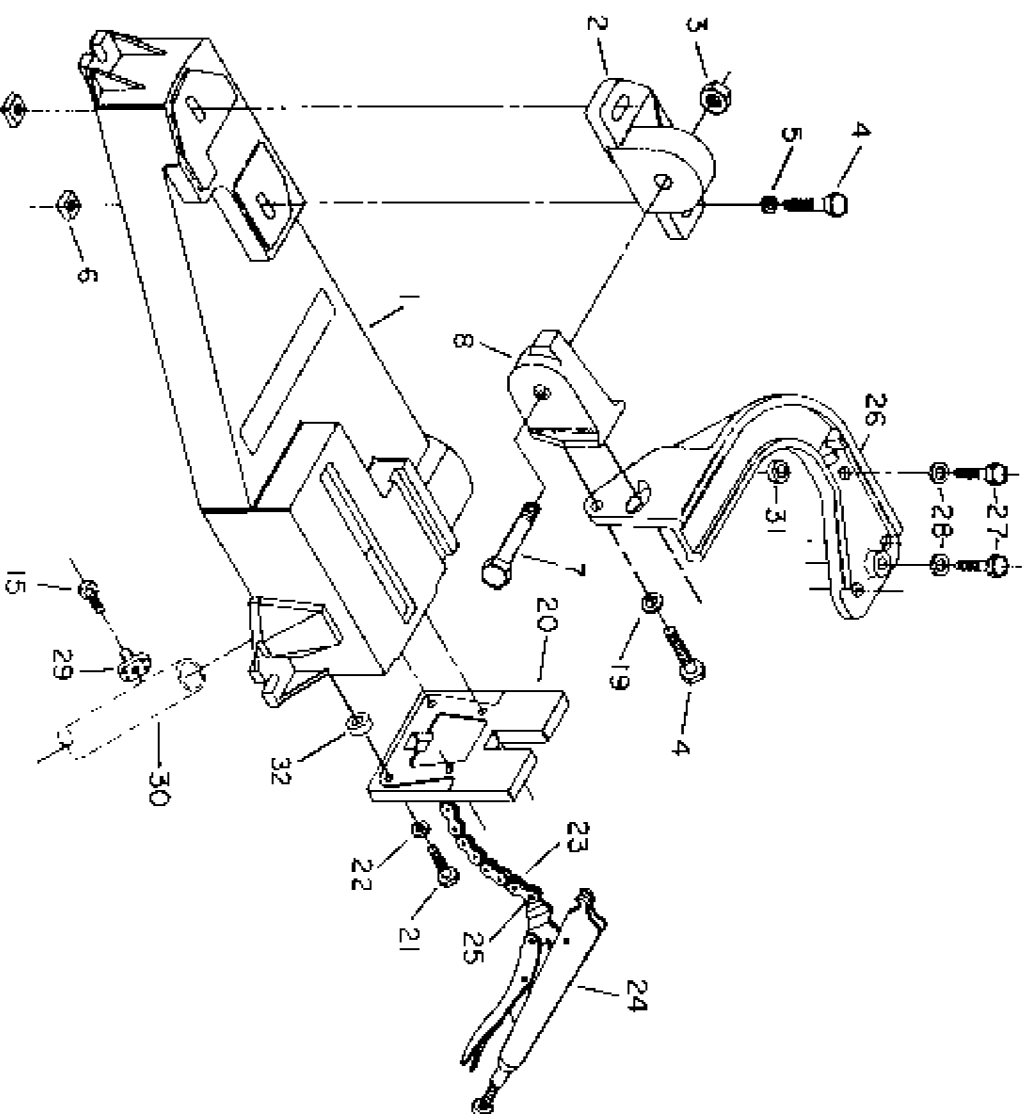
# PORTER-CABLE

## PORTA-BAND

## BANDSAW STAND

**WARNING:** Electrical repairs should only be attempted by trained repairmen. Contact the nearest Porter-Cable Service Center or other competent repair center.

**5028**



## Parts List for 5028 Type 1

Item Number	Part Number	Description	Qty Required
1	887560	BASE	1
2	866789	BRACKET	1
3	822159	NUT	10
4	826485	SCREW	10
5	803424	WASHER	10
6	828811	NUT	10
7	846235	BOLT	10
8	866790	HINGE	1
15	000000-00	No Longer Available	10
19	866346	WASHER	10
20	878751	STATIONARY JAW	1
21	823193	SCREW	10
22	098197-09	LOCKWASHER	10
23	846234	CHAIN	1
24	846915	WRENCH VISE GRIP CLP	1
25	846221	PIN	10
26	878752	ARM	1
27	861849	SCREW	10
28	801687	WASHER	10
29	000000-00	No Longer Available	10
30	000000-00	No Longer Available	1
31	866102	SPACER	10
32	880873	SPACER	10

COPYRIGHT© 2005. All Rights Reserved.

Parts list, pricing, and availability subject to change. Please visit [www.dewaltservicenet.com](http://www.dewaltservicenet.com) for current parts information.