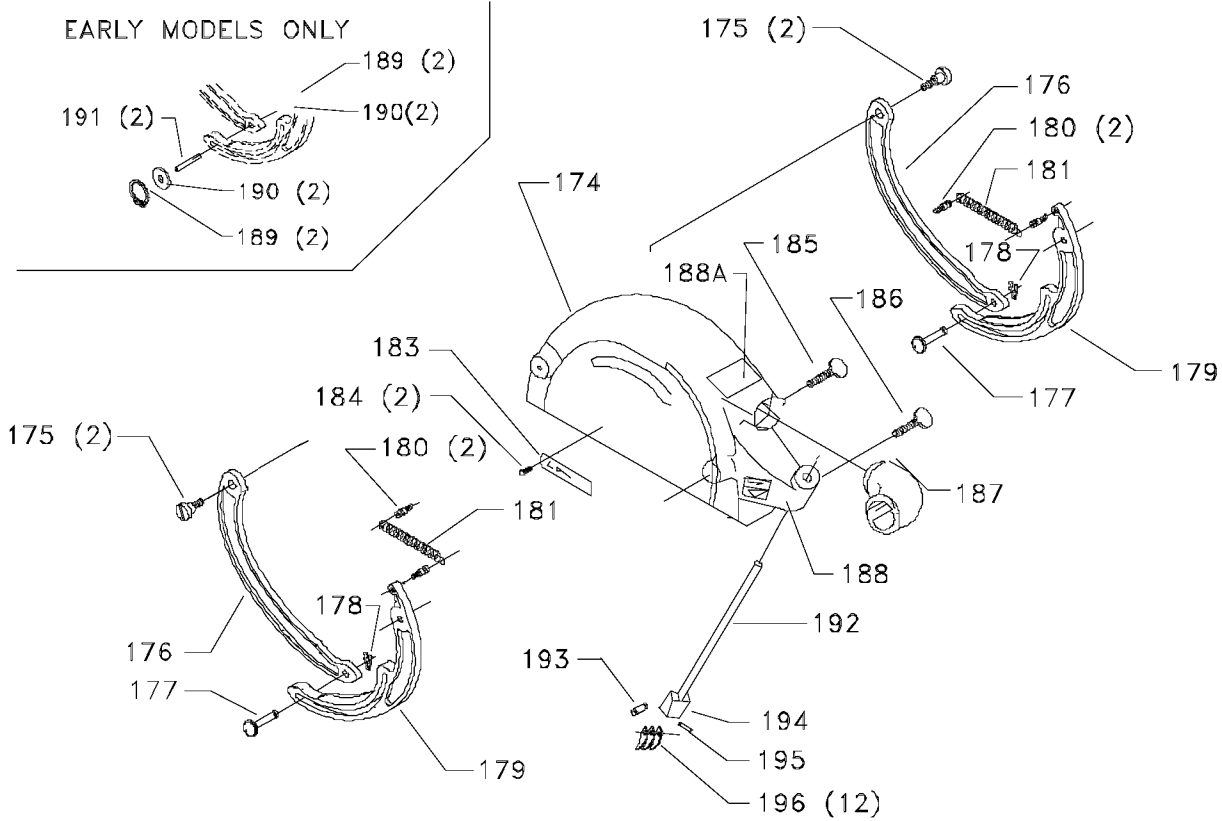


EARLY MODELS ONLY



Parts List for 33-400 Type 2

Item Number	Part Number	Description	Qty Required
1	424030740002	HOLE PLUG	1
2	424030740001S	LOCATING PIN	3
3	901010600605	CAP SCREW	3
4	904100313810	STEEL WASHER	3
5	424030300009S	INDEX COLUMN	1
5	424030300009S	INDEX COLUMN	1
6	951020113974S	MITER SCALE	1
7	901064502250S	DRIVE SCREW	3
8	424030890016S	ARM	1
8	424030890016S	ARM	1
9	438010110051	BUSHING INSULATOR	1
10	438010040082	5/8 DIA CLAMP	1
11	901030408015S	CAP SCREW	1
12	905020107105	GROOVE PIN	2
13	901030308013S	SCREW	4
14	424040040005S	COLUMN KEY	1
15	904020201705	LOCK WASHER	4
16	901010603117	CAP SCREW	4
17	000000-00	No Longer Available	1
18	929760106318	ELEVATING NUT	1
19	904020101703S	LOCK WASHER	3
20	901010600649S	CAP SCREW	3
21	931010114091	BALL HANDLE	1
22	1085978S	HANDLE ASSY	1
23	1085979	LOCK SCREW	1
24	901041500206	SET SCREW	1
25	904010331306	WASHER	1

Parts List for 33-400 Type 2

Item Number	Part Number	Description	Qty Required
26	424030170003	SPACER	1
27	901030103345S	CAP SCREW	1
28	424040610003	CABLE SUPPORT	1
29	904010101610S	STEEL WASHER	1
30	951010107802S	POINTER	1
31	908459S	SCREW	1
32	901041701104	SET SCREW	1
33	424033880006	PLUNGER ASSY	1
34	928010415310S	SPRING	1
35	901064508210S	DRIVE SCREW	1
36	902010101300S	HEX NUT	1
37	931010214099S	KNOB-SCREW ON	1
38	905010106731S	ROLL PIN	1
39	1087358	CLAMP ASSY	1
40	406031380005S	KNOB	1
41	424030160002S	BUMPER	2
42	424031320007	RIP SCALE	1
43	901020100558	MACHINE SCREW	3
44	424033550012	TRACK ARM ASSY	1
44	424033550012	TRACK ARM ASSY	1
45	901030100775S	CAP SCREW	3
46	000000-00	No Longer Available	2
47	905020107105	GROOVE PIN	2
48	904020201705	LOCK WASHER	4
49	901030103308	CAP SCREW	4
52	424007520002	WARNING LABEL	1
52	424007520002	WARNING LABEL	1

Parts List for 33-400 Type 2

Item Number	Part Number	Description	Qty Required
53	424031080007	ROD	4
54	902030202982	SPEED NUT	16
55	90513860	SCREW	16
60	906348	NUT	1
61	1085980S	YOKE PIN	1
62	424041110006S	ECCENTRIC STUD	2
63	424041110005S	STATIONARY STUD	2
64	920101514919	SPECIAL BEARING	4
65	901020100558	MACHINE SCREW	2
66	951010213951S	POINTER	1
67	424043270002	RIP LOCK ASSY	1
68	406031380005S	KNOB	1
69	424030720004S	HOLD DOWN STRIP	1
70	424033880007S	LOCATING HOUSING	1
70	424033880007S	LOCATING HOUSING	1
71	931010214099S	KNOB-SCREW ON	1
72	928010415310S	SPRING	1
73	901030100784	CAP SCREW	2
74	904020201704S	LOCK WASHER	2
76	424030570002	ROLLER HEAD	1
77	901041500202	SET SCREW	2
78	424030160002S	BUMPER	2
79	904020201705	LOCK WASHER	4
80	902010201227S	HEX JAM NUT	4
81	424030160003	BUMPER	1
82	901020100558	MACHINE SCREW	2
83	424040310018S	COVER	1

Parts List for 33-400 Type 2

Item Number	Part Number	Description	Qty Required
83	424040310018S	COVER	1
84	931010114091	BALL HANDLE	1
85	1085982S	HANDLE ASSY	1
86	901041601103	SET SCREW	1
87	424031020008S	YOKE	1
87	424031020008S	YOKE	1
88	A21680S	WARNING LABEL	1
88	A21680S	WARNING LABEL	1
89	902010401026S	HEX NUT	1
90	904010312925	SPEC WASHER	1
91	424040270004S	LOCK NUT	1
92	931010214099S	KNOB-SCREW ON	1
93	901072613234S	LOCK ROD	1
94	901010603121	CAP SCREW	1
95	901020100558	MACHINE SCREW	1
96	951010107802S	POINTER	1
97	904010101610S	STEEL WASHER	1
98	424033880007S	LOCATING HOUSING	1
98	424033880007S	LOCATING HOUSING	1
99	928010415310S	SPRING	1
100	931010214099S	KNOB-SCREW ON	1
101	904020201704S	LOCK WASHER	2
102	901030100784	CAP SCREW	2
105	33-723	RETURN SPRING	1
106	901030431676S	SCREW	1
107	424030140015S	S-HOOK	1
110	902010101282S	HEX JAM NUT	1

Parts List for 33-400 Type 2

Item Number	Part Number	Description	Qty Required
111	904010101618S	STEEL WASHER	1
112	424040540023	GUARD CLAMP	1
113	424041110010S	STUD	1
114	904070105568	FIBRE WASHER	1
115	000000-00	No Longer Available	1
116	904020201705	LOCK WASHER	1
117	901030100750	CAP SCREW	1
118	904020101703S	LOCK WASHER	1
119	424040950002S	TRUNNION BOSS	1
120	424043600001	ARBOR NUT ASSY	1
121	901030108072S	SET SCREW	1
122	955030100047S	HEX WRENCH	1
123	424041030005S	ARBOR COLLAR	2
123	000000-00	No Longer Available	1
124	000000-00	No Longer Available	1
125	400061310026S	MTR 5HP 3PH RAS	1
125	400061310028S	MTR 5HP 3PH RAS	1
125	400061310029S	MTR 5HP 3PH RAS	1
125	5140051-46	START CAPACITOR	1
125	5140051-47	RUN CAPACITOR	1
125	400061310024S	MTR 3HP 1PH RAS	1
126	927030102666S	KEY	1
127	928010231666S	SPRING	1
128	904010312903S	STEEL WASHER	2
129	424043150002S	BRAKE ASSY.	1
130	424040150005S	DISC BRAKE	1
131	901064231170S	HEX HD SCREW	4

Parts List for 33-400 Type 2

Item Number	Part Number	Description	Qty Required
132	424040310016S	COVER	1
133	902012131680S	LOCK NUT	1
135	438010330003S	FAN	1
136	901030331678	SCREW	2
137	928010231670	SPRING	3
138	491957-00	LOCK WASHER	4
139	901030100229S	CAP SCREW	4
140	424030950008S	FRONT TRUNNION	1
140	424030950008S	FRONT TRUNNION	1
141	904020201705	LOCK WASHER	3
142	901030103308	CAP SCREW	1
142	901030100765	CAP SCREW	3
144	424031320010S	BEVEL SCALE	1
144	424031320010S	BEVEL SCALE	1
145	901020100567S	MACHINE SCREW	2
174	424033540014	14 BLADE GUARD ASSY	1
174	424033540014	14 BLADE GUARD ASSY	1
175	901090112455S	STUD	4
176	424030540001S	LEAF	2
177	424011110003S	STUD	2
178	904152107403S	CLIP	2
179	424030540023S	LEAF	2
180	901090112456S	STUD	4
181	928022313394S	SPRING	2
183	424037540005S	NAMEPLATE	1
183	424027520086S	NAMEPLATE	1
184	901064502250S	DRIVE SCREW	2

Parts List for 33-400 Type 2

Item Number	Part Number	Description	Qty Required
185	901042601505S	THUMB SCREW	1
186	901042601527S	THUMB SCREW	1
187	424030360001S	DUST SPOUT	1
188	424027520084S	CAUTION PLATE	1
188	A21684S	LABEL	1
189	904150620269S	SNAP RING	4
190	904010101614S	STEEL WASHER	4
191	424080710001S	PIN	2
192	424044080002	ANTI-KICK ASSY	1
193	424040710013S	PIN	1
194	904150620269S	SNAP RING	1
195	905020102489S	GROOVE PIN	1
196	424040470002S	ANTI-KICK FINGER	12
400	901030408015S	CAP SCREW	1
401	424040520001S	GIB	1
402	000000-00	No Longer Available	1
403	424041110002S	STUD	2
404	904020201704S	LOCK WASHER	2
405	902010401026S	HEX NUT	2
406	901010603117	CAP SCREW	4
407	904020201705	LOCK WASHER	4
408	901041500297S	SET SCREW	2
409	902010101206	HEX NUT	2
410	901030103318S	SCREW	1
411	438010040052	CORD CLAMP	1
412	905020107105	GROOVE PIN	2
413	424030160003	BUMPER	1

Parts List for 33-400 Type 2

Item Number	Part Number	Description	Qty Required
414	424040830001	SHIM WASHER	4
415	424043910006	TABLE BOARD SET	1
416	904010101615	STEEL WASHER	10
417	901020107502	MACHINE SCREW	10
418	901020100511	MACHINE SCREW	15
419	904010101614S	STEEL WASHER	15
420	424030040014S	EXTENSION BAR	3
421	424040040004S	CLAMP STRIP	2
422	901010600617	CAP SCREW	8
423	000000-00	No Longer Available	1
424	904020201704S	LOCK WASHER	8
425	902010401026S	HEX NUT	8
426	901010600644	CAP SCREW	2
427	438010110020	INSULATOR	1
428	901010600640S	CAP SCREW	4
429	424040040008S	REINFORCING STRIP	2
430	000000-00	No Longer Available	1
431	000000-00	No Longer Available	1
432	901052131498	SCREW	1
433	904010331451	WASHER	4
434	424030140024	FENCE BRACKET	2
435	000000-00	No Longer Available	2
436	424041120015S	FENCE CLAMP SCREW	2
437	424033270003S	FENCE CLAMP NUT	2
438	901052131498	SCREW	4
439	422350600001S	WRENCH HOOK	2
440	901010600611S	CAP SCREW	1

Parts List for 33-400 Type 2

Item Number	Part Number	Description	Qty Required
441	491957-00	LOCK WASHER	1
442	406031380008S	KNOB	2
443	961030131452	GROMMET	2
444	1086622S	ELEVATING SHAFT	1
445	424040170006	HUB	1
445	424040170006	HUB	1
446	901020300417	MACHINE SCREW	2
447	905020105045	GROOVE PIN	1
448	424033330001S	ELEVATING CRANK	1
449	902010401026S	HEX NUT	2
450	424027520086S	NAMEPLATE	1
450	424027520086S	NAMEPLATE	1
451	424020140025S	LVC MTG BRACKET	1
452	491957-00	LOCK WASHER	3
453	901010600611S	CAP SCREW	3
454	489026-00	HEX NUT	1
455	902010401026S	HEX NUT	12
456	489191-00	HEX NUT	6
457	901040200324	3/8-16 X 2 SET SCREW	6
458	901010600642	CAP SCREW	12
459	904010101615	STEEL WASHER	12
460	904020201704S	LOCK WASHER	12
461	489191-00	HEX NUT	12
462	424040660004S	LEG	4
463	905010102730	ROLL PIN	1
464	927010102607	KEY	1
465	424031120002S	ELEVATING SCREW	1

Parts List for 33-400 Type 2

Item Number	Part Number	Description	Qty Required
466	904010301649S	STEEL WASHER	1
467	920520113924	BEARING	2
468	424030130003	COLUMN HOUSING	1
469	904020201704S	LOCK WASHER	4
470	901010600648S	CAP SCREW	4
471	920240613962	BEARING	1
472	920760213909	THRUST BEARING	1
473	905020105030	GROOVE PIN	1
474	424023510001	GEAR ASSY	1
475	920760213909	THRUST BEARING	1
476	920240613962	BEARING	1
478	424023510001	GEAR ASSY	1
479	902011501011	HEX NUT	1
480	905050402106S	COTTER PIN	1
481	424031170001	SOCKET WRENCH	1
482	955010301488S	OPENEND ARBOR WRENCH	1
483	955021001492S	COMBINATION WRENCH	1
484	424037250001	HARDWARE PACK	1
485	000000-00	No Longer Available	1
500	901030100783S	CAP SCREW	1
501	438010260008	RECTIFIER	1
502	000000-00	No Longer Available	1