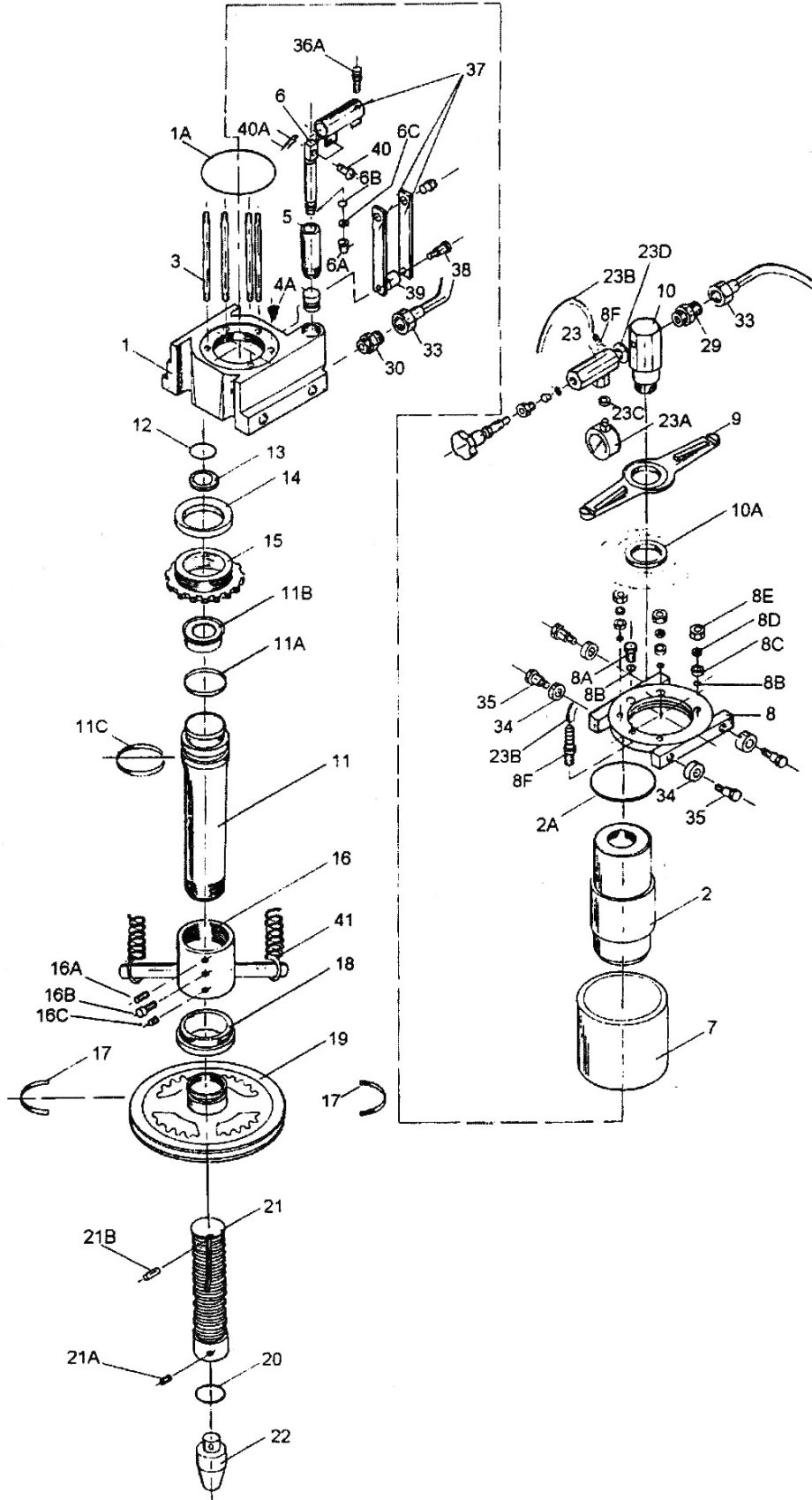


HP-15A Head Assembly

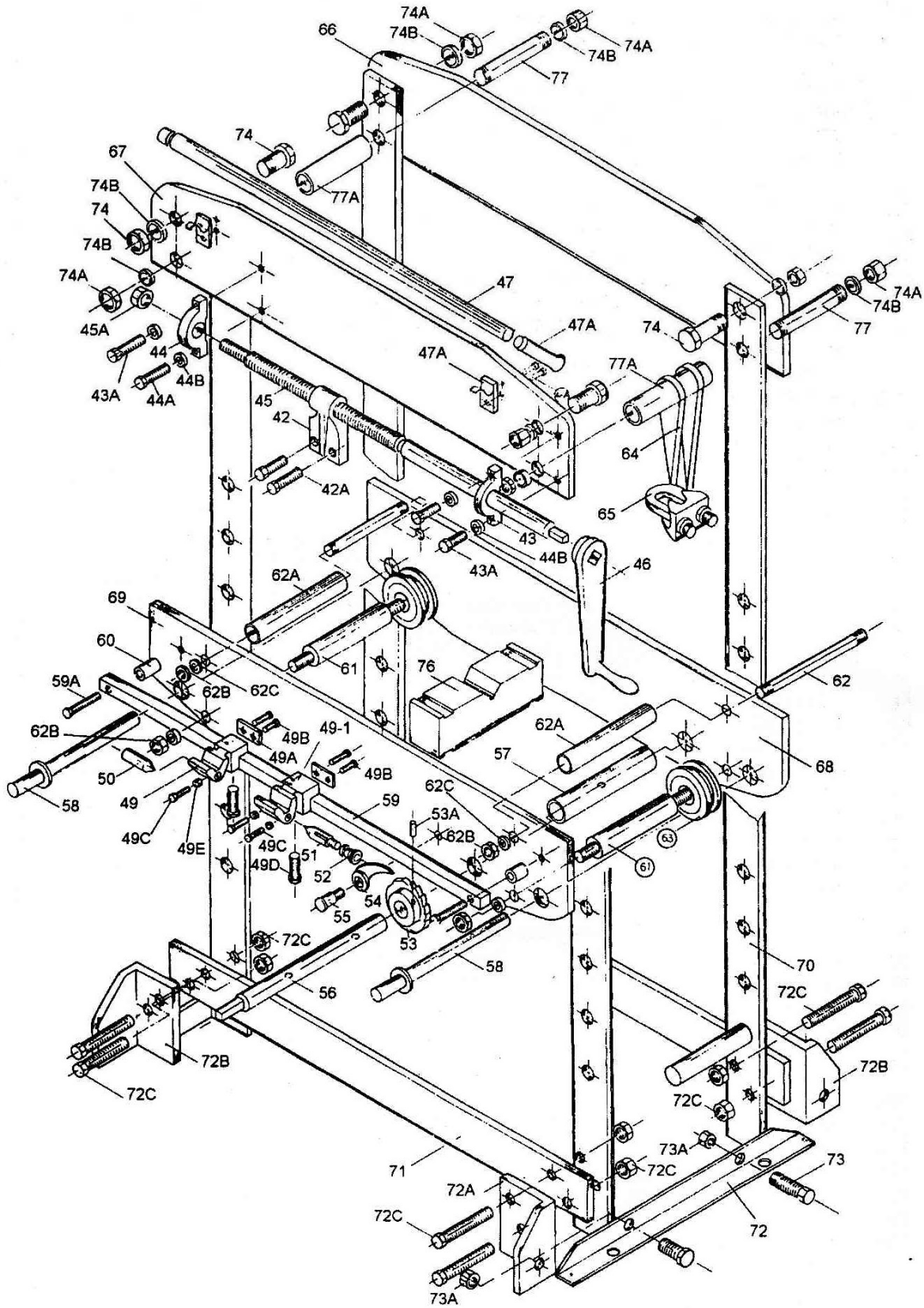


HP-15A Head Assembly – Parts List

Index No.	Part No.	Description	Size	Qty
1	HP15A-01	Hydraulic Base		1
1A	HP15A-01A	Base Seal **		1
2	HP15A-02	Cylinder		1
2A	HP15A-02A	Seal **		1
3	HP15A-03	Support Rod		4
4	HP15A-04	Single Action Valve		1
4A	HP15A-04A	Base Filter **		1
5	HP15A-05	Pump Cylinder		1
6	HP15A-06	Piston		1
6A	HP15A-06A	Cup Seal **		1
6B	HP15A-06B	Seal **		1
6C	HP15A-06C	Wiper Seal **		1
7	HP15A-07	Reservoir		1
8	HP15A-08	Top Base		1
8A	HP15A-08A	Hex Filler Plug w/ Seal		1
8B	HP15A-08B	O-Ring **		5
8C	HP15A-08C	Spacer		4
8D	TS-0720091	Lock Washer	3/8"	4
8E	TS-0561031	Hex Nut	3/8"-16	4
8F	HP15A-08F	Brass Tube Connector		2
9	HP15A-09	Spring Top Holder		1
10	HP15A-10	Oil Pass Connector		1
10A	HP15A-10A	Spacer		1
11	HP15A-11	Plunger		1
11A	HP15A-11A	Support Seal **		1
11B	HP15A-11B	Cup Seal **		1
11C	HP15A-11C	Teflon Support Ring **		1
12	HP15A-12	Seal **		1
13	HP15A-13	Oil Absorber **		1
14	HP15A-14	Gasket **		1
15	HP15A-15	Plug Nut Fixer		1
16	HP15A-16	Connector Post		1
16A	HP15A-16A	Screw		1
16B	HP15A-16B	Screw		1
16C	HP15A-16C	Screw		1
17	HP15A-17	Hand Wheel Fixer		2
18	HP15A-18	Hand Wheel Spacer		1
19	HP15A-19	Hand Wheel		1
20	HP15A-20	Seal		1
21	HP15A-21	Extension Screw		1
21A	HP15A-21A	Set Screw		1
21B	HP15A-21B	Stopper Roll Pin		1
22	HP15A-22	Press Head		1
23	HP15A-23	Release Valve Block		1
23A	HP15A-23A	Pressure Gauge		1
23B	HP15A-23B	Plastic Tube		1
23C	HP15A-23C	Washer		1
23D	HP15A-23D	Spacer		1
24	HP15A-24	Steel Ball		1
25	HP15A-25	Release Valve Seal **		1
26	HP15A-26	Release Valve Nut		1
27	HP15A-27	Release Valve		1
29	HP15A-29	Male Connector		1
30	HP15A-30	Male Connector		1
33	HP15A-33	Bronze Tube		1
34	HP15A-34	Sliding Wheel		4
35	HP15A-35	Locking Screw		4

36A.....	HP15A-36A	Hand Stopper	1
37.....	HP15A-37	Complete Handle Sleeve Assembly	1
38.....	HP15A-38	Fixed Screw	1
39.....	HP15A-39	Spacer	1
40.....	HP15A-40	Pin.....	1
40A.....	HP15A-40A	Cotter Pin.....	1
41.....	HP15A-41	Return Spring	2
.....	HP15A-RKA	Hydraulic Repair Kit (includes items marked with **)

HP-15A Frame Assembly



HP-15A Frame Assembly – Parts List

Index No.	Part No.	Description	Size	Qty
42	HP15A-42	Shaft Holder		1
42A	TS-0070011	Hex Cap Screw	1/2"-13 x 1"	2
43	HP15A-43	Rolling Shaft Block without Thread		1
43A	TS-0060061	Hex Cap Screw	3/8"-16 x 1-1/4"	3
44	HP15A-44	Rolling Shaft Block with Thread		1
44A	TS-0060051	Hex Cap Screw	3/8"-16 x 1"	1
44B	HP15A-44B	Washer		4
45	HP15A-45	Rolling Shaft		1
45A	HP15A-45A	Nut		2
46	HP15A-46	Hand Crank		1
47	HP15A-47	Pump Handle		1
47A	HP15A-47A	Rubber Grip		1
48	HP15A-48	Handle Holder		2
48A	HP15A-48A	Handle Holder Screw		2
49	HP15A-49	V-Block Body		1
49A	HP15A-49A	Body Sliding Plate		2
49-1	HP15A-49-1	V-Block Body		1
49B	HP15A-49B	Body Sliding Plate		2
49C	HP15A-49C	Hex Screw		4
49D	HP15A-49D	Hex Screw		3
49E	HP15A-49E	Stopper		2
50	HP15A-50	Center Tails		2
51	HP15A-51	Adjustable Center – Tail Body		1
52	HP15A-52	Adjustable Center – Tail Knob		1
53	HP15A-53	Crank Gear		1
53A	HP15A-53A	Roll Pin		1
54	HP15A-54	Crank Gear Pawl		1
55	HP15A-55	Pawl Stud Screw		1
56	HP15A-56	Crank Gear Shaft		1
57	HP15A-57	Spindle Sleeve		2
58	HP15A-58	Table Holder		1
59	HP15A-59	Square Bar		1
59A	HP15A-59A	Center Tail Assembly Screw		2
60	HP15A-60	Screw Spacer		2
61	HP15A-61	Cable Sliding Spindle		1
61A	HP15A-61A	Hex Nut		2
62	HP15A-62	Table Spindle		2
62A	HP15A-62A	Crank Shaft Sleeve		1
63	HP15A-63	Cable Slide Wheel		1
64	HP15A-64	Cable		1
65	HP15A-65	Wire Rope Clip		1
66	HP15A-66	Top Frame (Rear)		1
67	HP15A-67	Top Frame (Front)		2
68	HP15A-68	Table Frame (Rear)		1
69	HP15A-69	Table Frame (Front)		1
70	HP15A-70	Main Frame (Left/Right Post)		2
71	HP15A-71	Lower Frame Support		2
72	HP15A-72	Frame Bracket		2
72A	HP15A-72A	Frame Base Bracket		2
72B	HP15A-72B	Frame Base Bracket		2
72C	HP15A-72C	Bolt		8
72D	HP15A-72D	Nut		8
73	HP15A-73	Bolt		4
73A	HP15A-73A	Nut		4
74	HP15A-74	Hex Bolt		4
76	HP15A-76	Bed Plate		2
77	HP15A-77	Frame Spindle		2
77A	HP15A-77A	Spindle Sleeve		2
78	HP15A-ID	Identification Label (not shown)		1