

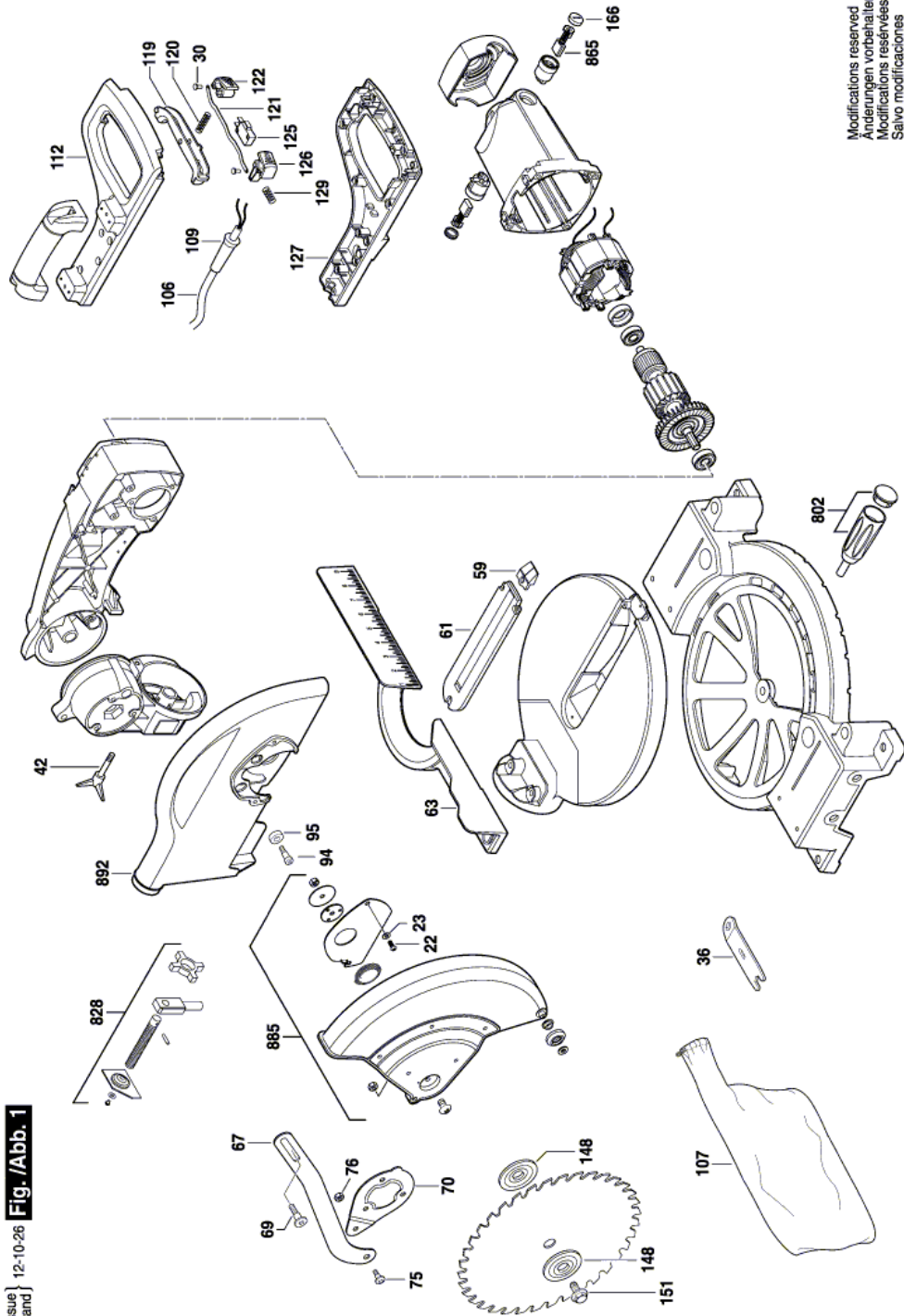
. - F 012 331 503 - 3315

Item	Part Number	Description	Illustration	Price	Quantity	Price Group
22	2 610 958 841	Screw	1	-,-	1	-
23	2 610 958 842	Spring Washer	1	-,-	1	-
30	2 610 958 843	Pin	1	-,-	1	-
36	2 610 956 981	Assembly Wrench	1	-,-	1	-
42	2 610 958 845	Knob	1	-,-	1	-
59	2 610 958 846	Pointer	1	-,-	1	-
61	2 610 011 772	Mounting Insert	1	-,-	1	-
63	2 610 958 848	Mitre Fence	1	-,-	1	-
67	2 610 007 746	Lever	1	-,-	1	-
69	2 610 007 826	Screw	1	-,-	1	-
70	2 610 007 747	Support Plate	1	-,-	1	-
75	2 610 007 827	Screw	1	-,-	1	-
76	2 610 007 836	Lock Nut	1	-,-	1	-
94	2 610 958 854	Screw	1	-,-	1	-
95	2 610 958 855	Rubber Bushing	1	-,-	1	-
106	2 610 958 856	Cord	1	-,-	1	-
107	2 610 016 483	Dust Bag	1	-,-	1	-
109	2 610 958 857	Grommet	1	-,-	1	-
112	2 610 958 858	Handle	1	-,-	1	-
119	2 610 958 859	Trigger	1	-,-	1	-
120	2 610 958 860	Spring	1	-,-	1	-
121	2 610 958 861	Linkage part	1	-,-	1	-
122	2 610 958 862	Button	1	-,-	1	-
125	2 610 958 863	Mains switch	1	-,-	1	-
126	2 610 958 864	Button	1	-,-	1	-
127	2 610 958 865	Handle	1	-,-	1	-
129	2 610 958 866	Spring	1	-,-	1	-
148	2 610 958 867	Flange	1	-,-	2	-
151	2 610 958 869	Screw	1	-,-	1	-
166	2 610 958 870	Cover	1	-,-	2	-
802	2 610 958 877	Handle	1	-,-	1	-
828	2 610 958 871	Clamping Device	1	-,-	1	-
865	2 610 958 879	Carbon-Brush Set	1	-,-	1	-

Item	Part Number	Description	Illustration	Price	Quantity	Price Group
885	2 610 007 751	Protection	1	-,-	1	-
892	2 610 007 752	Protection	1	-,-	1	-

F 012 331 503
Issue }
Stand } 12-10-26

Fig./Abb. 1



Modifications reserved
Änderungen vorbehalten
Modifications réservées
Salvo modificaciones