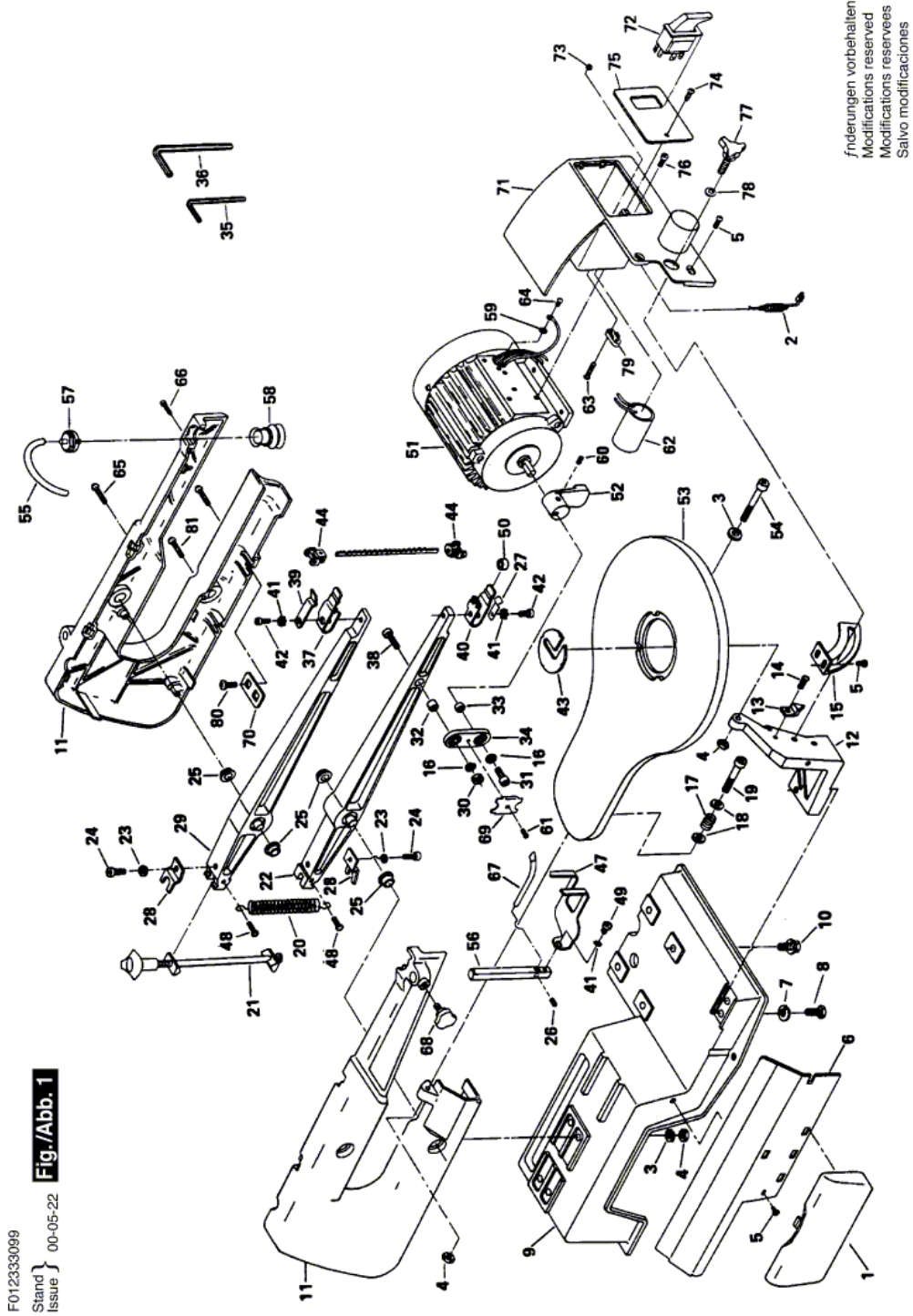


JIG SAW - F 012 333 099 - 3330 TYPE 1

| Item | Part Number | Description | Illustration | Price | Quantity | Price Group |
|------|---------------|---------------------------|--------------|-------|----------|-------------|
| 1 | 2 610 358 500 | Cover | 1 | -,- | 1 | - |
| 2 | 2 610 358 524 | Power supply cord | 1 | -,- | 1 | - |
| 3 | 2 610 009 730 | Spring Washer | 1 | -,- | 5 | 11 |
| 4 | 2 610 011 489 | Nut | 1 | -,- | 6 | 11 |
| 5 | 2 615 296 196 | Screw | 1 | -,- | 6 | 11 |
| 6 | 2 610 358 501 | Cover | 1 | -,- | 1 | - |
| 7 | 2 610 044 549 | Washer | 1 | -,- | 2 | - |
| 8 | 2 610 015 253 | Collar bolt | 1 | -,- | 2 | - |
| 9 | 2 615 296 182 | Base | 1 | -,- | 1 | 42 |
| 10 | 2 610 706 214 | Screw | 1 | -,- | 4 | - |
| 11 | 2 610 358 506 | Housing Set | 1 | -,- | 1 | - |
| 12 | 2 615 296 189 | Support | 1 | -,- | 1 | 27 |
| 13 | 2 615 296 177 | Parts Set | 1 | -,- | 1 | 11 |
| 14 | 2 610 004 775 | Cross Recessed-Head Screw | 1 | -,- | 1 | - |
| 15 | 2 615 296 154 | Support | 1 | -,- | 1 | 16 |
| 16 | 2 610 009 709 | Spring Washer | 1 | -,- | 2 | - |
| 17 | 2 610 009 709 | Spring Washer | 1 | -,- | 1 | - |
| 18 | 2 610 067 034 | Plain Washer | 1 | -,- | 2 | - |
| 19 | 2 615 296 198 | Screw | 1 | -,- | 1 | 11 |
| 20 | 2 615 296 749 | Spring | 1 | -,- | 1 | 13 |
| 21 | 2 610 358 510 | Collar bolt | 1 | -,- | 1 | - |
| 22 | 2 615 296 201 | Rotor | 1 | -,- | 1 | 32 |
| 23 | 2 610 001 734 | Spring Washer | 1 | -,- | 2 | - |
| 24 | 2 610 306 064 | Hex Socket Head Cap Screw | 1 | -,- | 2 | - |
| 25 | 2 615 296 159 | Bearing | 1 | -,- | 4 | 13 |
| 26 | 2 615 296 243 | Screw | 1 | -,- | 1 | 11 |
| 27 | 2 615 296 508 | Plate | 1 | -,- | 1 | 13 |
| 28 | 2 615 296 164 | Spring retaining ring | 1 | -,- | 2 | 12 |
| 29 | 2 615 296 213 | Eccentric | 1 | -,- | 1 | 30 |
| 30 | 2 610 001 309 | Nut | 1 | -,- | 1 | 11 |
| 31 | 2 610 306 127 | Hex Socket Head Cap Screw | 1 | -,- | 1 | - |
| 32 | 2 615 296 166 | Spacer Bushing | 1 | -,- | 1 | 11 |
| 33 | 2 615 296 167 | Washer | 1 | -,- | 1 | 11 |

| Item | Part Number | Description | Illustration | Price | Quantity | Price Group |
|------|---------------|------------------------------|--------------|-------|----------|-------------|
| 34 | 2 615 296 203 | Linkage | 1 | -,- | 1 | 26 |
| 35 | 2 615 296 245 | Hexagon Socket Wrench 1,5 MM | 1 | -,- | 1 | 13 |
| 36 | 2 610 909 158 | Offset Screwdriver 3 MM | 1 | -,- | 1 | - |
| 37 | 2 610 909 154 | Holder | 1 | -,- | 1 | - |
| 38 | 2 610 029 884 | Collar bolt | 1 | -,- | 1 | - |
| 39 | 2 610 909 155 | Plate | 1 | -,- | 1 | - |
| 40 | 2 615 296 186 | Holder | 1 | -,- | 1 | 16 |
| 41 | 2 610 021 599 | Locking Washer | 1 | -,- | 3 | - |
| 42 | 2 615 296 205 | Trunnion | 1 | -,- | 2 | - |
| 43 | 2 615 296 746 | Insert | 1 | -,- | 1 | 14 |
| 44 | 2 615 296 206 | Blade Holder | 1 | -,- | 2 | - |
| 47 | 2 610 909 189 | Pivoting Blade Guard | 1 | -,- | 1 | - |
| 48 | 2 610 909 504 | Cross Recessed-Head Screw | 1 | -,- | 2 | - |
| 49 | 2 610 356 707 | Screw | 1 | -,- | 1 | - |
| 50 | 2 615 296 175 | Collar | 1 | -,- | 2 | 11 |
| 51 | 2 610 358 512 | Motor | 1 | -,- | 1 | - |
| 52 | 2 615 296 210 | Eccentric | 1 | -,- | 1 | 21 |
| 53 | 2 610 358 503 | Table top | 1 | -,- | 1 | - |
| 54 | 2 610 029 359 | Parts Set | 1 | -,- | 1 | - |
| 55 | 2 615 296 162 | Pipe | 1 | -,- | 1 | 11 |
| 56 | 2 610 909 190 | Support | 1 | -,- | 1 | - |
| 57 | 2 615 296 745 | Bellows | 1 | -,- | 1 | 12 |
| 58 | 2 615 296 744 | Bellows | 1 | -,- | 1 | 21 |
| 59 | 2 615 296 247 | Washer | 1 | -,- | 1 | 11 |
| 60 | 2 610 992 350 | Countersunk-Head Screw | 1 | -,- | 1 | - |
| 61 | 2 610 905 945 | Screw | 1 | -,- | 1 | - |
| 62 | 2 610 358 513 | Condenser | 1 | -,- | 1 | - |
| 63 | 2 610 358 519 | Screw | 1 | -,- | 2 | 10 |
| 64 | 2 615 296 217 | Screw Cap | 1 | -,- | 1 | 11 |
| 65 | 2 615 296 195 | Screw | 1 | -,- | 5 | 11 |
| 66 | 2 610 358 517 | Screw | 1 | -,- | 1 | - |
| 67 | 2 610 358 509 | Pipe | 1 | -,- | 1 | - |
| 68 | 2 615 296 242 | Knob | 1 | -,- | 1 | 12 |
| 69 | 2 610 358 522 | End stop | 1 | -,- | 1 | - |
| 70 | 2 615 296 179 | Set Of Plates | 1 | -,- | 2 | 15 |
| 71 | 2 610 358 514 | Switch Box | 1 | -,- | 1 | - |
| 72 | 2 610 358 111 | On-Off Switch | 1 | -,- | 1 | 30 |
| 73 | 2 610 358 521 | Hex Nut | 1 | -,- | 2 | 11 |
| 74 | 2 615 296 774 | Screw | 1 | -,- | 1 | 10 |
| 75 | 2 610 358 515 | Switch Cover | 1 | -,- | 1 | - |
| 76 | 2 610 358 520 | Collar bolt | 1 | -,- | 4 | - |
| 77 | 2 615 296 172 | Knob | 1 | -,- | 1 | 13 |
| 78 | 2 610 026 111 | Plain Washer | 1 | -,- | 1 | - |
| 79 | 2 615 296 773 | Clamp | 1 | -,- | 1 | 11 |
| 80 | 2 610 304 837 | Pan head screw | 1 | -,- | 4 | - |
| 81 | 2 610 905 944 | Screw | 1 | -,- | 1 | - |

Illustration - Type E



F012333099
Stand }
Issue } 00-05-22
Fig./Abb. 1

Information subject to change without further notice.