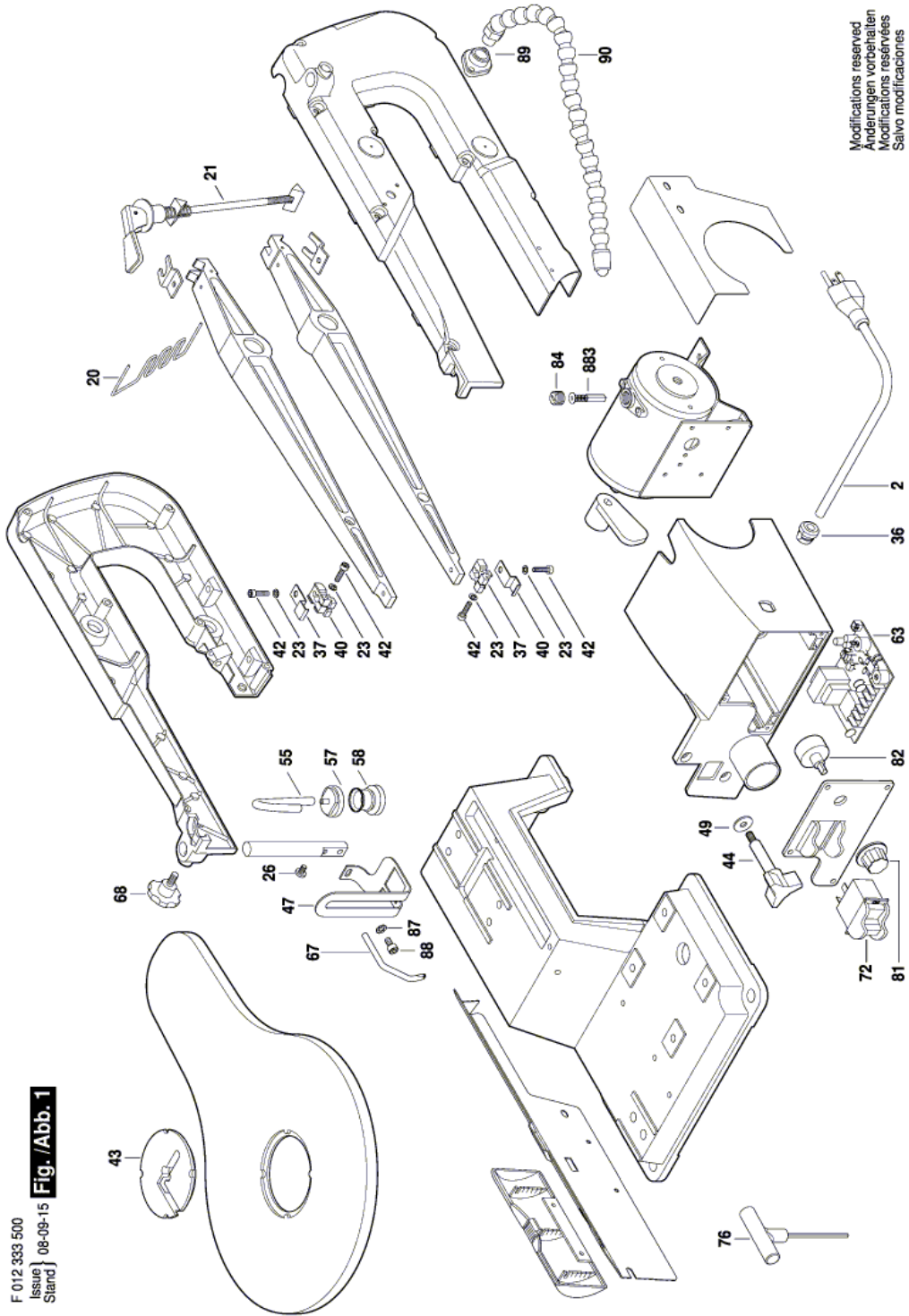


## Scroll Saw - F 012 333 500 - 3335

Item	Part Number	Description	Illustration	Price	Quantity	Price Group
2	2 610 958 767	Cord	1	-,-	1	-
20	2 610 958 768	Spring	1	-,-	1	-
21	2 610 958 769	Control Bolt	1	-,-	1	-
23	2 610 958 770	Spring Washer	1	-,-	6	-
26	2 610 958 771	Pan head screw	1	-,-	1	-
36	2 610 958 772	Clamp	1	-,-	1	-
37	2 610 958 773	Blade Holder	1	-,-	2	19
40	2 610 958 774	Plate	1	-,-	2	11
42	2 610 958 775	Bolt	1	-,-	4	-
43	2 610 958 776	Mounting Insert	1	-,-	1	-
44	2 610 958 777	Knob	1	-,-	1	-
47	2 610 958 778	Supporting foot	1	-,-	1	-
49	2 610 958 779	Plain Washer	1	-,-	1	-
55	2 610 958 780	Pipe	1	-,-	1	-
57	2 610 958 781	Lock	1	-,-	1	-
58	2 610 958 782	Bellows	1	-,-	1	-
63	2 610 958 783	Printed Circuit Board	1	-,-	1	-
67	2 610 958 784	Tube	1	-,-	1	-
68	2 610 958 785	Knob	1	-,-	1	-
72	2 610 958 787	Switch	1	-,-	1	22
76	2 610 958 788	Key	1	-,-	1	-
81	2 610 958 790	Knob	1	-,-	1	-
82	2 610 958 791	Controller	1	-,-	1	-
84	2 610 958 793	Cap	1	-,-	2	-
87	2 610 958 794	Toothed lock washer	1	-,-	1	-
88	2 610 958 795	Bolt	1	-,-	1	-
89	2 610 958 796	Base	1	-,-	1	-
90	2 610 958 797	Light Unit	1	-,-	1	26
883	2 610 958 798	Carbon-Brush Set	1	-,-	1	21

Illustration - Type E



Information subject to change without further notice.