

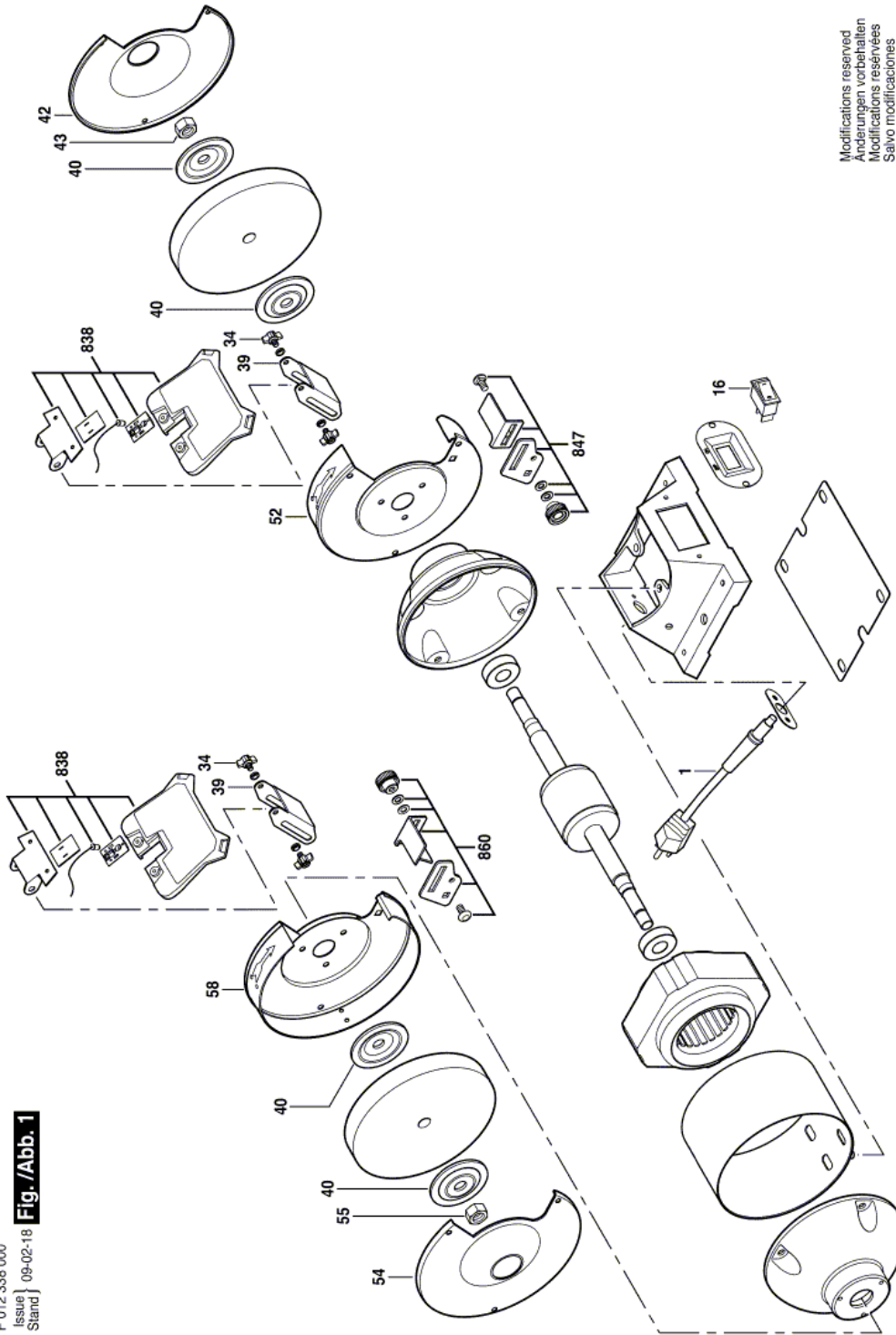
29.07.2015 |

Bench Grinder - F 012 338 000 - 3380

Item	Part Number	Description	Illustration	Price	Quantity	Price Group
1	2 610 958 981	Cord	1	-,-	1	-
16	2 610 959 243	Mains switch	1	-,-	1	-
34	2 610 959 408	Knob	1	-,-	4	-
39	2 610 959 409	Protection	1	-,-	2	-
40	2 610 959 244	Flange	1	-,-	4	-
42	2 610 959 245	Cover	1	-,-	1	-
43	2 610 959 246	Hex Nut	1	-,-	1	11
52	2 610 959 249	Wheel Guard	1	-,-	1	-
54	2 610 959 410	Cover	1	-,-	1	24
55	2 610 959 335	Hex Nut	1	-,-	1	11
58	2 610 959 337	Wheel Guard	1	-,-	1	-
838	2 610 959 411	Protective Shield	1	-,-	2	-
847	2 610 959 412	Tool Rest	1	-,-	1	-
860	2 610 959 413	Tool Rest	1	-,-	1	-

F 012 338 000
Issue /
Stand } 09-02-18

Fig./Abb. 1



Modifications reserved
Änderungen vorbehalten
Modifications reserves
Salvo modificaciones