



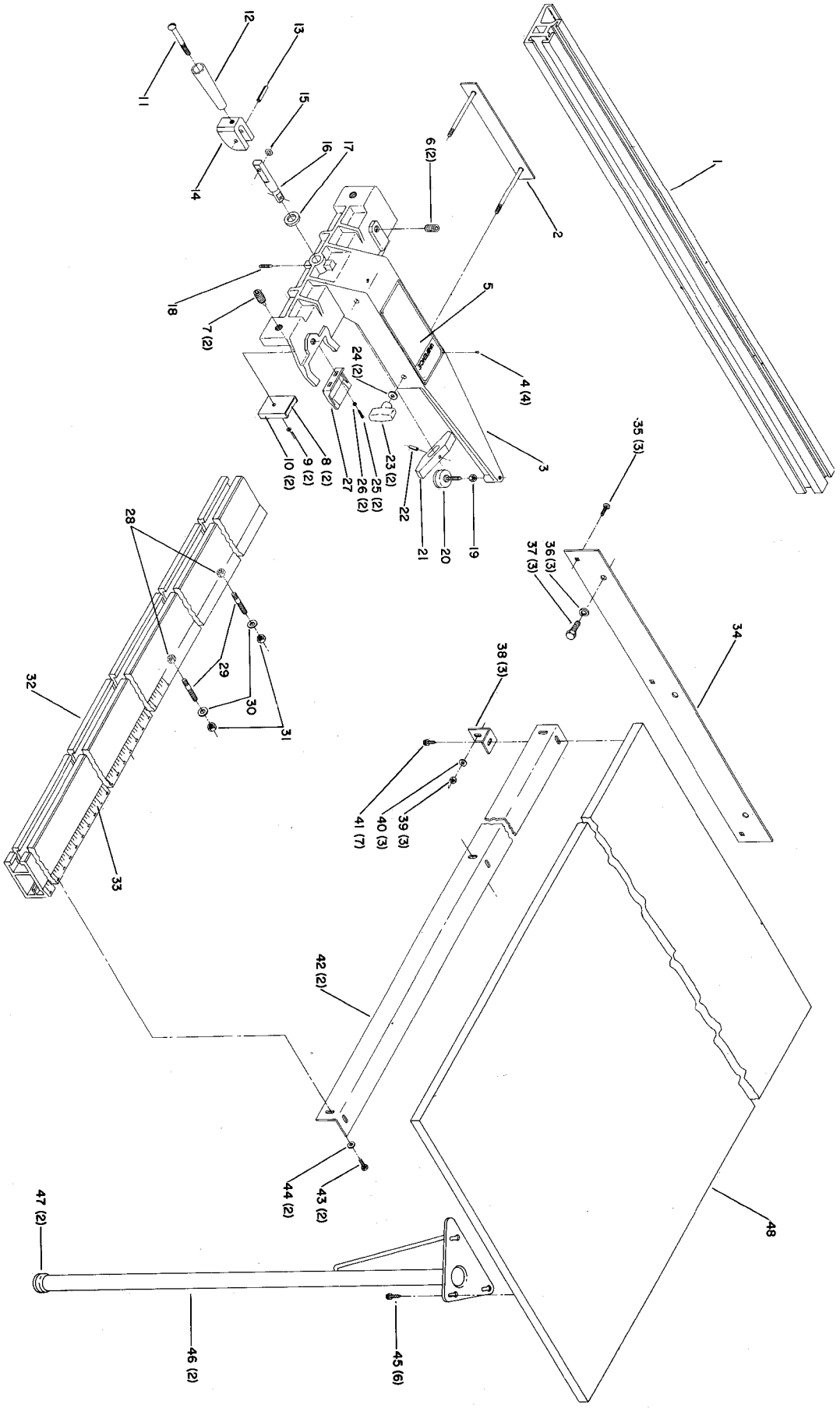
34-897 UNIFENCE

34-899 AUX. TABLE FOR UNIFENCE

Revised 8-15-85

422-27-655-0004

CS-4K-5



Parts List for 34-897 Type 1

Item Number	Part Number	Description	Qty Required
1	422270430002	FENCE	1
2	400063270001	CLAMP ASSY	1
3	400063120001	USE 400-06-312-0005	1
4	901064502250	DRIVE SCREW	4
5	000000-00	No Longer Available	1
6	422391120005	LEVELING SCREW	2
7	422271120003	SLIDE ADJ SCREW	2
8	400063840002	SLIDE ASSY	2
9	422270790001	RETAINER	2
10	422270840006	NYLON SLIDE	2
11	1087658	SCREW	1
12	000000-00	No Longer Available	1
13	905011031370	ROLL PIN	1
14	000000-00	No Longer Available	1
15	000000-00	No Longer Available	1
16	422271060003	CONTROL SHAFT	1
17	422271040002	THRUST WASHER	1
18	422271120002	KIT	1
19	902010101300	HEX NUT	1
20	422270480001	REAR SUPPORT FOOT	1
21	422270680003	LOCKING LUG	1
22	905010102702	ROLL PIN	1
23	424120600005	KNOB	2
24	904010101620	WASHER	2
25	901020505634	FILL HD SCREW	2
26	000000-00	No Longer Available	2
27	400063750001	CURSOR	1

Parts List for 34-897 Type 1

Item Number	Part Number	Description	Qty Required
28	902010101207	HEX NUT	1
29	422271110003	STUD	1
30	904010101615	STEEL WASHER	1
31	902010105900	HEX NUT	1
32	36-150	50IN UNIFENCE RAIL	1
33	400061320001	SCALE	1
34	422270010001	ADAPTOR	1
35	901110200821	CARRIAGE BOLT	3
36	904020101716	LOCK WASHER	3
37	901010600664	CAP SCREW	3
38	422270890007	ANGLE BRACKET	3
39	902011201034	HEX NUT	3
40	904010101614	STEEL WASHER	3
41	901062231380	SPEC SCREW	7
42	422270890006	TABLE SUPPORT	2
43	901010600612	CAP SCREW	2
44	904010101614	STEEL WASHER	2
45	901062231380	SPEC SCREW	6
46	422393660001	LEG ASSY	2
47	422274120001	FOOT ASSY	2
48	000000-00	No Longer Available	1
856	400063840001	BEARING PAD KIT	3
856	955030100006	1/4ALLEN WRENCH	1