

Cordless Screwdriver - 0 601 927 539 - 3530

www.powertools-aftersaleservice.com

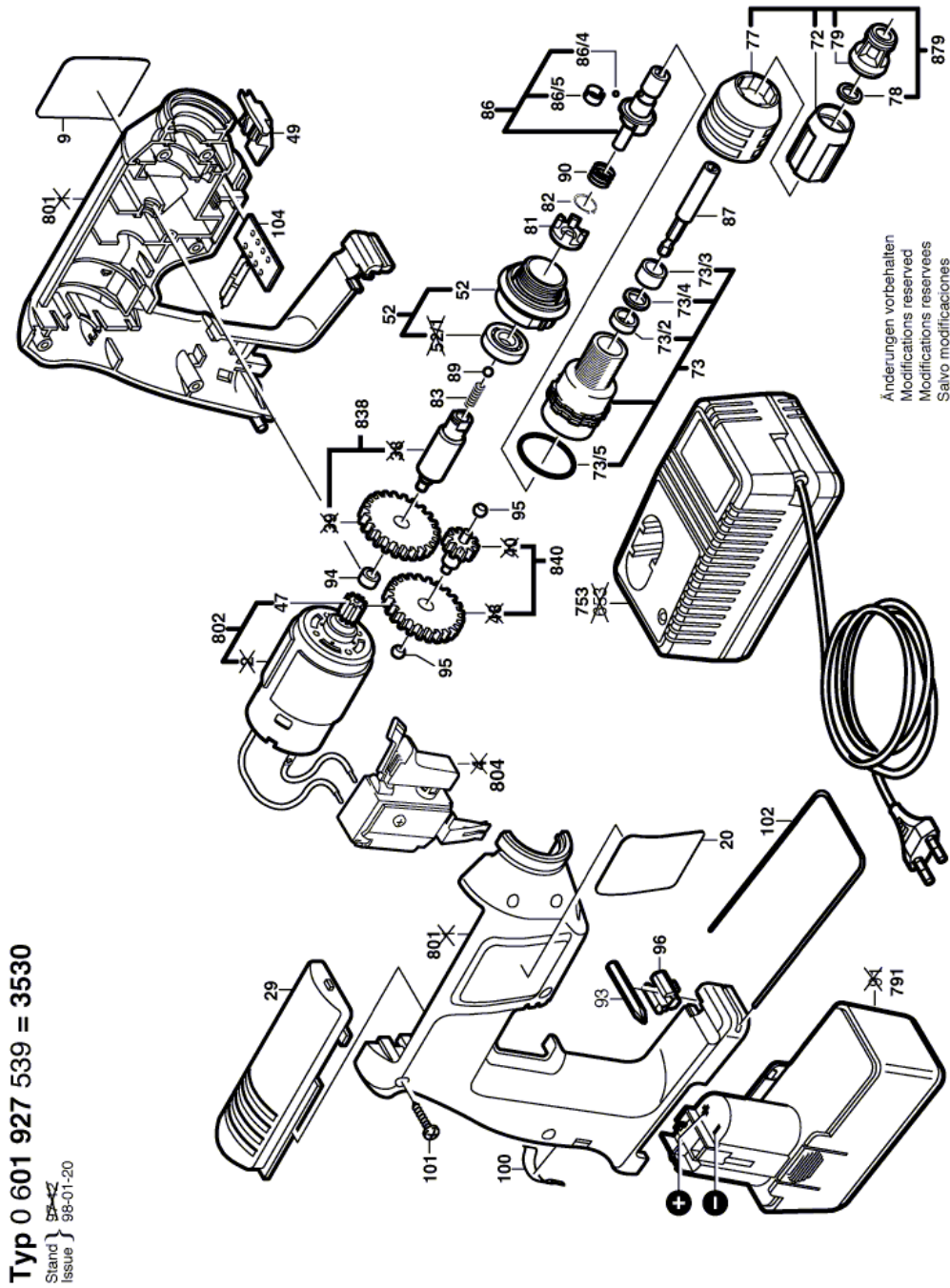


BOSCH

Item	Part Number	Description	Illustration	Price	Quantity	Price Group
9	2 601 118 763	Manufacturer's nameplate SUNNY SIDE	1	-,-	1	15
20	2 601 118 764	Reference Plate SHADOW SIDE	1	-,-	1	15
29	2 605 510 120	Insert Piece BLACK	1	-,-	1	13
47	2 606 316 142	Pinion Z=14	1	-,-	1	15
49	2 605 510 117	Insert Piece BLACK	1	-,-	1	11
52	2 600 499 038	Guide Sleeve	1	-,-	1	27
72	3 600 360 505	Spacer Sleeve BLACK	1	-,-	1	21
73	2 607 001 241	Clutch Housing	1	-,-	1	29
73/2	3 600 301 508	Bushing	1	-,-	1	10
73/3	3 600 301 510	Bushing	1	-,-	1	12
73/4	3 600 290 503	Seal ring	1	-,-	1	14
73/5	2 600 210 043	O-Ring	1	-,-	1	11
77	3 600 390 502	Locking Ring BLACK	1	-,-	1	22
78	3 600 290 502	Seal ring	1	-,-	1	15
79	3 600 552 501	Depth-Gauge	1	-,-	1	15
81	3 606 441 500	Clutch	1	-,-	1	23
82	3 600 200 516	Retaining ring	1	-,-	1	12
83	3 604 613 507	Spring	1	-,-	1	12
86	2 606 445 012	Clutch Shaft	1	-,-	1	39
86/4	1 903 230 006	Ball DIN 5401-3,5 MM-III-ST	1	-,-	1	10
86/5	3 600 034 504	Ball Support	1	-,-	1	14
87	2 607 000 157	Toolholder 1/4"	1	-,-	1	-
89	1 903 230 011	Ball DIN 5401-6 G28	1	-,-	1	10
90	3 604 613 506	Spring	1	-,-	1	12
93	2 607 000 366	Screwdriver Bit	1	-,-	1	-
94	2 600 301 011	Sintered-Metal Bushing	1	-,-	1	11
95	2 600 302 002	Sintered-Metal Bushing	1	-,-	2	11
96	2 608 040 131	Support	1	-,-	1	12
100	2 601 322 016	Clamp Spring	1	-,-	1	14
101	2 603 490 022	Torx Oval-Head Screw 4x16	1	-,-	5	10
102	2 601 329 041	Retaining Bracket	1	-,-	1	11
104	2 608 018 004	Contact retainer	1	-,-	1	16
753	2 607 224 431	Fast Charger USA 120/7,2-24V, 1h	1	-,-	1	48

Item	Part Number	Description	Illustration	Price	Quantity	Price Group
753	2 607 224 708	Fast Charger USA 120/7,2-14,4V, 30 MIN.	1	-,-	1	-
791	2 607 335 039	Slide-In Accu Package 12V, 1,7Ah, NiCd	1	-,-	1	48
791	2 607 335 148	Slide-In Accu Package 12V,2,0Ah,NiCd	1	-,-	1	49
801	2 605 104 834	Housing Section BLUE	1	-,-	1	26
802	2 607 022 938	DC motor 12V	1	-,-	1	43
804	2 607 200 329	On-Off Switch	1	-,-	1	40
838	2 606 309 929	Jack Shaft	1	-,-	1	35
840	2 606 308 922	Toothed Shaft	1	-,-	1	29
879	3 600 552 509	Depth-Gauge	1	-,-	1	31
879	2 610 906 321	Depth-Gauge	1	-,-	1	24

Illustration - Type E



Information subject to change without further notice.