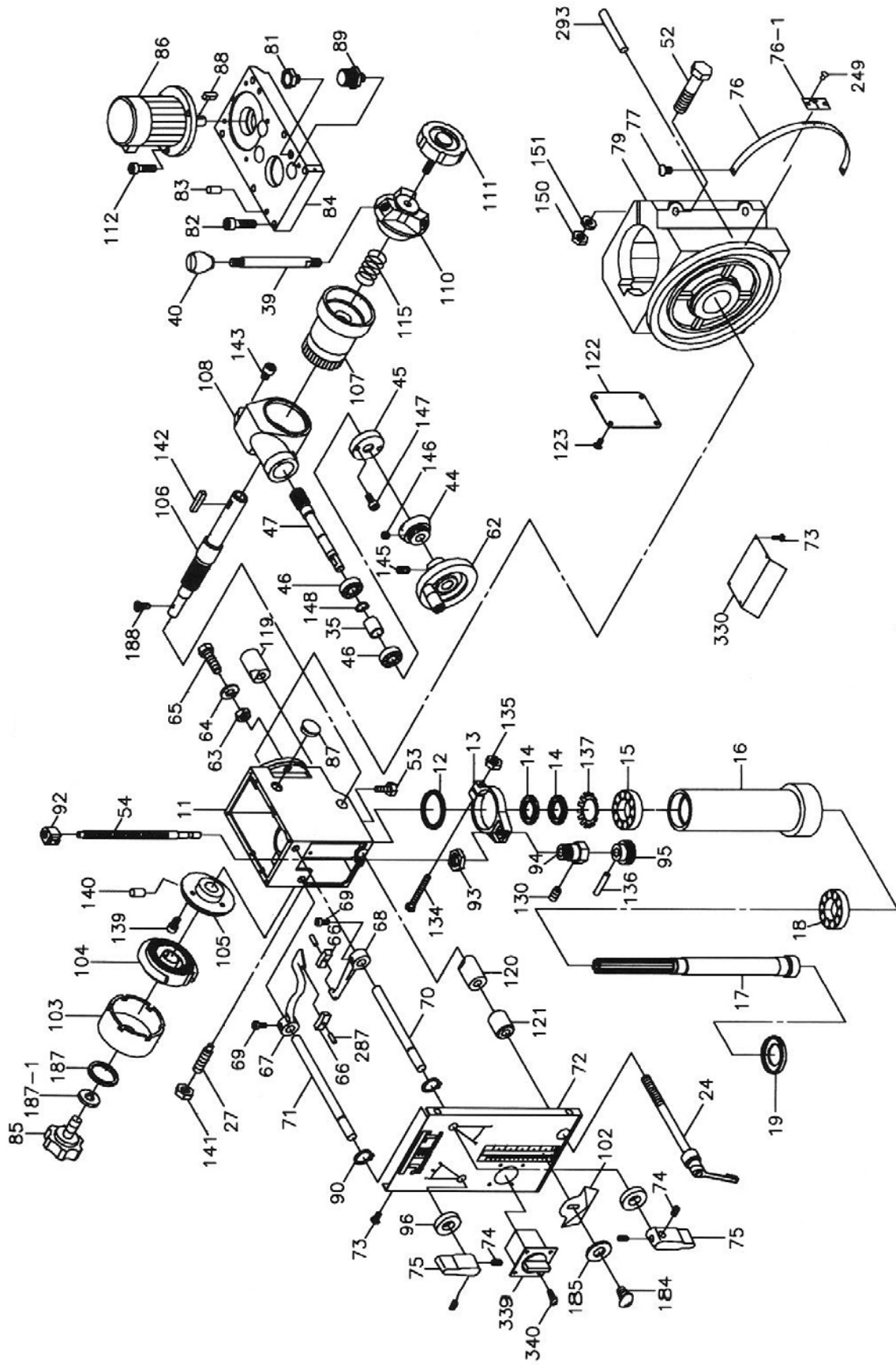


GHD-20/20T Head Assembly

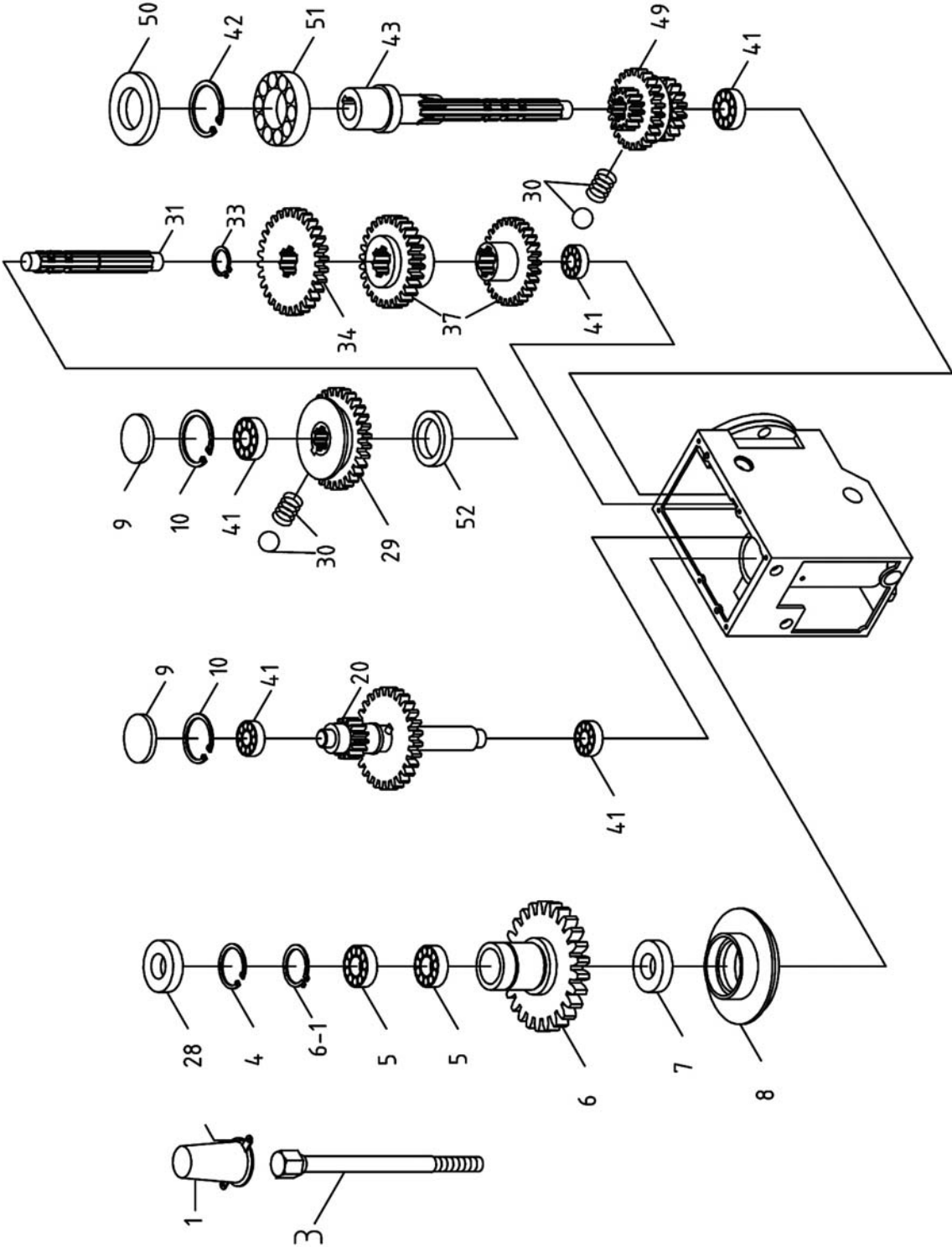


Parts List – GHD-20/20T Head Assembly

| Index No. | Part No. | Description | Size | Qty |
|-----------|------------|---------------------------|---------------|-----|
| 11 | 2401011 | Head Casting | | 1 |
| 12 | 6112 | Rubber Gasket | | 1 |
| 13 | 6513 | Feed Base | | 1 |
| 14 | 6114 | Lock Nut | | 2 |
| 15 | BB-30206 | Taper Roller Bearing | | 1 |
| 16 | 6116 | Rack Sleeve | MT3 | 1 |
| 17 | 6117 | Spindle Shaft | MT3 | 1 |
| 18 | BB-30207 | Taper Roller Bearing | | 1 |
| 19 | 6119 | Bearing Cap | | 1 |
| 24 | 2421003 | Handle Rod | | 1 |
| 27 | 6127 | Screw Key | | 1 |
| 35 | 6135 | Bearing Spacer | | 1 |
| 39 | 6139 | Handle Rod | | 3 |
| 40 | 290086 | Knob | | 3 |
| 44 | 6144 | Micro Adjusting Indicator | | 1 |
| 45 | 6145 | Worm Cover | | 1 |
| 46 | BB-6202Z | Ball Bearing | | 2 |
| 47 | 6147 | Worm Shaft | | 1 |
| 52 | TS-0071141 | Hex Cap Bolt | 5/8" x 5-1/2" | 2 |
| 53 | GHD20-53 | Oil Plug | | 1 |
| 54 | 6195 | Rod | | 1 |
| 62 | 6142-2 | Head Wheel | | 1 |
| 63 | TS-0561071 | Hex Nut | 5/8" | 3 |
| 64 | TS-0680081 | Washer | | 2 |
| 65 | TS-0071041 | Hex Screw | 5/8" x 2-1/4" | 3 |
| 66 | 2401066 | Gear Lever Bracket | | 2 |
| 67 | 2401067 | Gear Lever (Left) | | 1 |
| 68 | 2401068 | Gear Lever (Right) | | 1 |
| 69 | GHD20-69 | Screw | 1/4" x 1/2" | 2 |
| 70 | 2401070 | Lever Shaft (Right) | | 1 |
| 71 | 2401071 | Lever Shaft (Left) | | 1 |
| 72 | 2401072 | Name Plate | | 1 |
| 73 | GHD20-73 | Screw | 3/16" x 3/8" | 8 |
| 74 | TS-0267021 | Set Screw | 1/4" x 1/4" | 8 |
| 75 | 2401075 | Speed Lever | | 2 |
| 76 | GHD20-76 | Scale | | 1 |
| 76-1 | 2401076-1 | Pointer | | 1 |
| 77 | GHD20-77 | Screw | | 2 |
| 79 | 2412001 | Block | | 1 |
| 81 | GHD20-81 | Oil Plug | | 1 |
| 82 | TS-0209061 | Hex Socket Cap Screw | 3/8" x 3/4" | 6 |
| 83 | GHD20-83 | Miter Pin | | 2 |
| 84 | 2401084 | Cover | | 1 |
| 85 | 6185 | Lock Handle | | 1 |
| 86 | GHD20-86 | Motor | 2HP 3PH 230V | 1 |
| 87 | GHD20-87 | Oil Sight Glass | | 1 |
| 88 | GHD20-88 | Key | 6 x 6 x 30mm | 1 |
| 89 | GHD20-89 | Brass Fitting | | 1 |
| 90 | GHD20-90 | C-Ring | | 2 |
| 92 | 6192 | Block | | 1 |
| 93 | 6193 | Nut | | 1 |
| 94 | 6194 | Support Base | | 1 |
| 95 | 6195 | Knob Assembly | | 1 |
| 96 | GHD20-96 | Oil Seal | | 2 |
| 101 | 61101 | Bracket | | 1 |
| 102 | 61102 | Limit Plate | | 1 |
| 103 | 61103 | Spring Cover | | 1 |

| Index No. | Part No. | Description | Size | Qty |
|-----------|------------|----------------------|---------------|-----|
| 104 | 61104 | Spring | | 1 |
| 105 | 61105 | Spring Base | | 1 |
| 106 | 61106 | Pinion Shaft | | 1 |
| 107 | 61107 | Worm Gear | | 1 |
| 108 | 61108 | Feed Cover | | 1 |
| 110 | 61110 | Spring Base | | 1 |
| 111 | 6138 | Lock Bolt w/ Knob | | 1 |
| 112 | TS-0209051 | Hex Socket Cap Screw | 3/8" x 1" | 3 |
| 115 | 61115 | Spring | | 1 |
| 119 | 6126-1 | Collar (thread) | | 1 |
| 120 | 6125-1 | Collar | | 1 |
| 121 | 6125-2 | Collar | | 1 |
| 122 | 61112 | Cover | | 1 |
| 123 | GHD20-123 | Screw | | 4 |
| 130 | TS-1501021 | Hex Socket Cap Screw | M4 x 8 | 1 |
| 134 | TS-005091 | Hex Cap Bolt | 1/4" x 2" | 1 |
| 135 | TS-0561011 | Hex Nut | 1/4" | 1 |
| 136 | 6195 | Spring Pin | | 1 |
| 137 | GHD20-137 | Star Washer | | 1 |
| 139 | GHD20-139 | Screw | 3/16" x 3/4" | 3 |
| 140 | GHD20-140 | Spring Pin | | 1 |
| 141 | TS-0561031 | Hex Nut | 3/8" | 1 |
| 142 | GHD20-142 | Key | 7 x 7 x 20 | 1 |
| 143 | TS-0208021 | Hex Socket Cap Screw | 5/16" x 1/2" | 2 |
| 145 | TS-0270021 | Set Screw | 5/16" x 5/16" | 1 |
| 146 | TS-0267021 | Set Screw | 1/4" x 1/4" | 1 |
| 147 | GHD20-147 | Hex Socket Cap Screw | 3/16" x 7/16" | 2 |
| 148 | GHD20-148 | C-Ring | | 1 |
| 150 | TS-0561071 | Hex Nut | 5/8" | 2 |
| 151 | TS-0680081 | Washer | 5/8" | 2 |
| 184 | GHD20-184 | Screw | 5/32" x 1/4" | 1 |
| 185 | GHD20-185 | Washer | 1/4" | 1 |
| 187 | TS-0680021 | Washer | 1/4" | 1 |
| 187-1 | TS-0720071 | Lock Washer | 1/4" | 1 |
| 188 | GHD20-188 | Screw | 3/16" x 3/8" | 1 |
| 249 | GHD20-249 | Rivet | | 2 |
| 287 | GHD20-287 | Spring Pin | | 2 |
| 330 | 2401085 | Dust Plate | | 1 |
| 339 | GHD20-339 | Switch | | 1 |
| 340 | GHD20-340 | Screw | | 2 |
| 341 | GHD20-341 | Motor Cord | | 1 |
| 342 | GHD20-342 | Power Cord | | 1 |

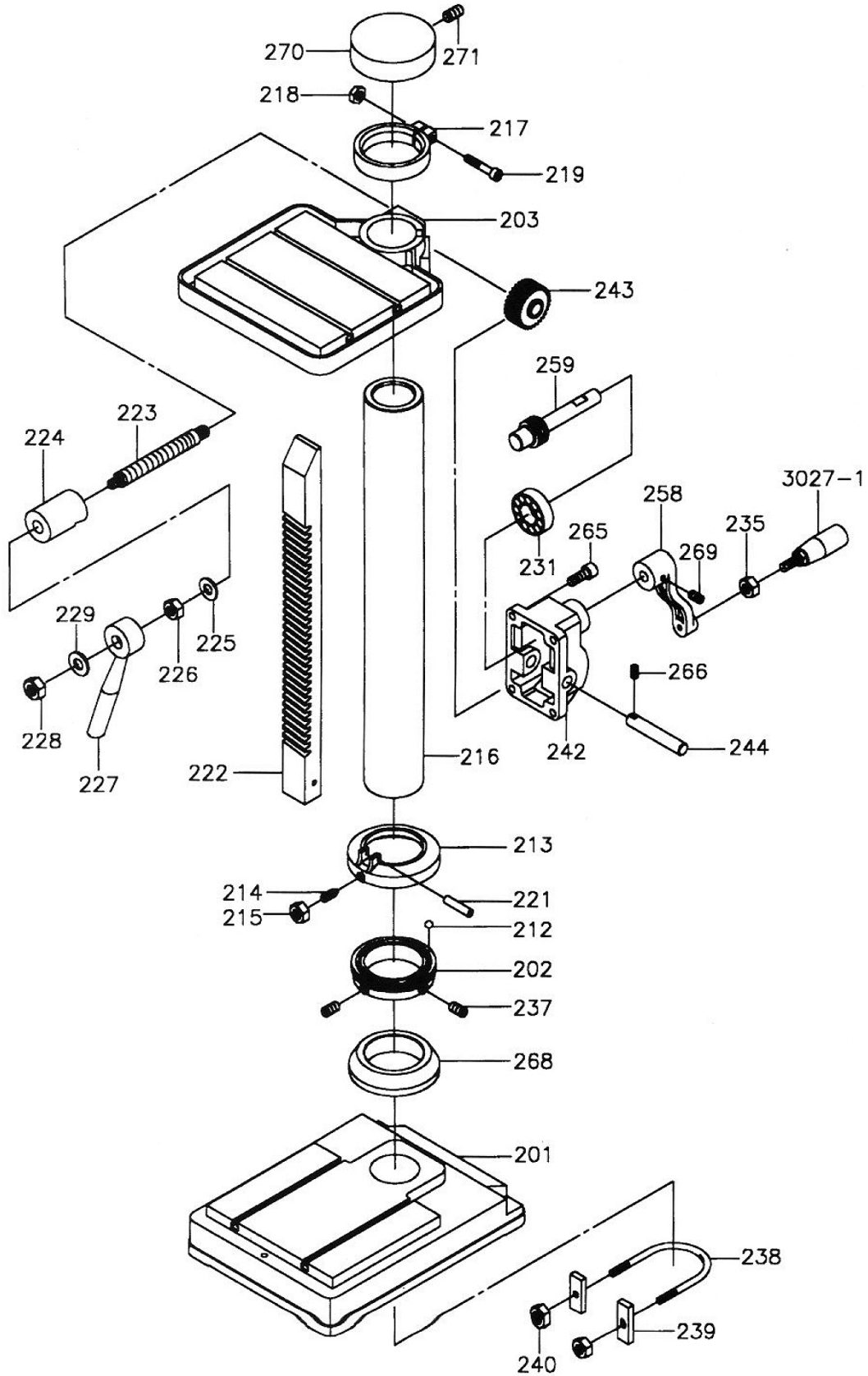
Gear Assembly GHD-20/20T



Parts List – Gear Assembly GHD-20/20T

| Index No. | Part No. | Description | Size | Qty |
|-----------|------------|---|-----------|-----|
| 1 | 2401001-2 | Main Shaft Cover | | 1 |
| 2 | 6101-2 | Chuck Arbor Bolt | MT-3 | 1 |
| 4 | GHD20-4 | Retainer Ring | R68 | 1 |
| 5 | BB6008ZZ | Ball Bearing | | 2 |
| 6 | 2401006 | Idle Gear | 53T | 1 |
| 6-1 | GHD20-6-1 | C-Ring | | 1 |
| 7 | GHD20-7 | Oil Seal | | 1 |
| 8 | 2401008 | Oil Seal Ring | | 1 |
| 9 | GHD20-9 | Dust Cover | | 2 |
| 10 | GHD20-10 | C-Ring | | 2 |
| 20 | 2401020 | Idle Gear | | 1 |
| | 2401020A | Gear Shaft Assembly (s/n 7110881 and higher) | 15/41T | 1 |
| 28 | GHD20-28 | Oil Seal | | 1 |
| 29 | 2401029 | Idle Gear | 35T | 1 |
| | 2401029N | Idle Gear (s/n 7110881 and higher) | 35T | 1 |
| 30 | GHD20-30 | Steel Ball w/ Spring | 5/16" | 3 |
| 31 | 2401031 | Pinion Shaft | | 1 |
| | T2401031BS | Pinion Shaft w/Gear Assembly (s/n 7110881 and higher) (includes #29,#30,#31,#33,#34,#37 and #52) | | 1 |
| 33 | GHD20-33 | C-Ring | S18 | 1 |
| 34 | 2401055 | Idle Gear | 42T | 1 |
| | 2401055N | Idle Gear (s/n 7110881 and higher) | 42T | 1 |
| 37 | 2401037 | Idle Gear(2piece) | 44/28T | 1 |
| | 2401037N | Idle Gear (2piece) (s/n 7110881 and higher) | 44/28T | 1 |
| 41 | BB-6002ZZ | Ball Bearing | | 5 |
| 42 | GHD20-42 | C-Ring | R62 | 1 |
| 43 | 2401043 | Pinion Shaft | | 1 |
| | T2401043BS | Pinion Shaft W/Gears Assembly (s/n 7110881 and higher) (includes #30, #43, #49,#50) | | 1 |
| 49 | 2401049 | Idle Gear | 15/31/43T | 1 |
| | 2401049N | Idle Gear (s/n 7110881 and higher) | 15/31/43T | 1 |
| 50 | GHD20-50 | Oil Seal | | 1 |
| 51 | BB-6007ZZ | Ball Bearing | | 1 |
| 52 | 2401192 | Bushing | | 1 |

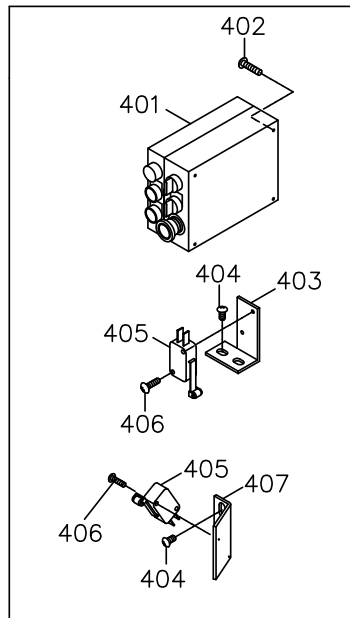
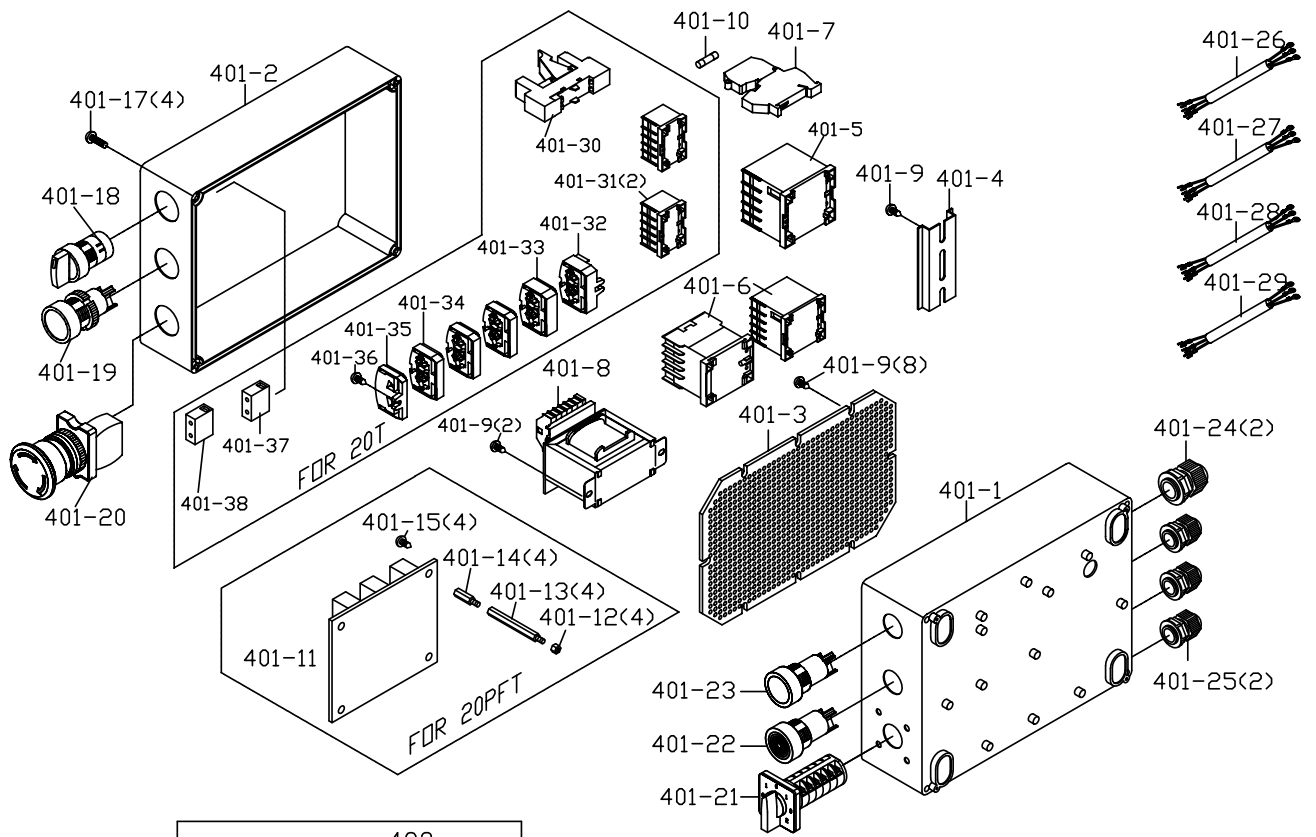
Base, Table and Column Assembly (all models)



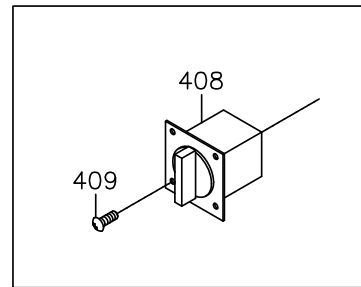
Parts List – Base, Table and Column Assembly (all models)

| Index No. | Part No. | Description | Size | Qty |
|-----------|------------|-----------------------|---------------|-----|
| 201 | 62201 | Base | | 1 |
| 202 | 62202 | Bearing Cover (lower) | | 1 |
| 203 | 62203-1 | Table | | 1 |
| 212 | SB-3/8 | Steel Ball | 3/8" | 40 |
| 213 | 62213 | Bearing Cover (upper) | | 1 |
| 214 | 62214 | Screw | | 2 |
| 215 | TS-0561021 | Hex Nut | 5/16" | 2 |
| 216 | 62216 | Column Base | | 1 |
| 217 | 66217 | Lock Ring | | 1 |
| 218 | TS-0561031 | Nut | 3/8" | 1 |
| 219 | TS-0209101 | Hex Socket Cap Screw | 3/8" x 2-1/4" | 1 |
| 221 | GHD20-221 | Pin | | 1 |
| 222 | 62222 | Rack | | 1 |
| 223 | 62223 | Lock Bolt | | 1 |
| 224 | 62224-1 | Lock Block | | 1 |
| 225 | TS-0680081 | Washer | 5/8" | 1 |
| 226 | TS-0561031 | Nut | 5/8" | 1 |
| 227 | 62227 | Lock Handle | | 1 |
| 228 | TS-0561031 | Nut | 3/8" | 1 |
| 229 | TS-0680041 | Washer | 3/8" | 1 |
| 231 | BB-51103 | Thrust Bearing | | 1 |
| 235 | TS-0561031 | Nut | 3/8" | 1 |
| 237 | TS-0267041 | Set Screw | 1/4" x 3/8" | 2 |
| 238 | 62238 | U-Bolt | | 1 |
| 239 | 62239 | Block | | 1 |
| 240 | TS-0561051 | Nut | 1/2" | 2 |
| 242 | 62242 | Bracket | | 1 |
| 243 | 62243 | Worm Gear | | 1 |
| 244 | 62244 | Shaft | | 1 |
| 258 | 6158 | Handle | | 1 |
| 259 | 62259 | Worm Shaft | | 1 |
| 265 | TS-0208061 | Hex Socket Cap Screw | 5/16" x 1" | 4 |
| 266 | TS-0267041 | Set Screw | 1/4" x 3/8" | 1 |
| 268 | 62268 | Bracket | | 1 |
| 269 | TS-0270021 | Set Screw | 5/16" x 5/16" | 1 |
| 270 | 6611 | Column Cap | | 1 |
| 271 | GHD20-271 | Set Screw | | 1 |
| 3027-1 | 3027-1 | Lever | | 1 |

Control Box Assembly (all models)



GHD-20T/20PFT only



GHD-20/20PF only

Parts List – Control Box Assembly

| Index No. | Part No. | Description | Size | Qty |
|-----------|-----------------|---|-------------------------|-----|
| 401 | GHD20PFT-401 | Control Box | | 1 |
| | GHD20PFT-CB | Control Box Complete (GHD-20PFT only) | | 1 |
| | GHD20T-CB | Control Box Complete (#08050908 and higher) | | 1 |
| 401-1 | GHD20PFT-401-1 | Box Base | | 1 |
| 401-2 | GHD20PFT-401-2 | Box Cover | | 1 |
| 401-3 | GHD20PFT-401-3 | Support Plane | | 1 |
| 401-4 | GHD20PFT-401-4 | Bracket | | 1 |
| 401-5 | ET-1123 | Magnetic Contactor | LS GMC (D)-6M | 2 |
| 401-6 | ET-2034 | Overload | | 1 |
| 401-7 | GHD20PFT-401-7 | Fuse Bracket | | 1 |
| 401-8 | ET-1311 | Transformer | 20VA, 0.7Kg | 1 |
| 401-9 | GHD20PFT-401-9 | Machine Screw | M4x10 | 12 |
| 401-10 | ET-1820 | Fuse | 2A | 1 |
| 401-11 | ET-2504 | Support Plate (GHD-20PFT only) | | 1 |
| 401-12 | GHD20PFT-401-12 | Hex Nut (GHD-20PFT only) | 1/8" | 4 |
| 401-13 | GHD20PFT-401-13 | Support Rod (GHD-20PFT only) | 60mm | 4 |
| 401-14 | GHD20PFT-401-14 | Support Rod (GHD-20PFT only) | 15mm | 4 |
| 401-15 | GHD20PFT-401-15 | Pan Head Screw (GHD-20PFT only) | 1/8"x1/4 | 4 |
| 401-17 | GHD20PFT-401-17 | Pan Head Screw | M4x5 | 4 |
| 401-18 | ET-1223 | Select Switch | NHD NSS-S | 1 |
| 401-19 | ET-1221 | Reverse Switch | NHD NPB-F | 1 |
| 401-20 | ET-1215 | Emergency Switch | KEDU HY57B | 1 |
| 401-21 | GN20 | High-Low Cam Switch | 15A, 600VAC | 1 |
| 401-22 | ET-1414 | Power Light | NHD NLD-22 | 1 |
| 401-23 | ET-1217 | Start Switch | NHD NPB-F | 1 |
| 401-24 | GHD20PFT-401-24 | Clamp Plug | PG13.5 | 2 |
| 401-25 | GHD20PFT-401-25 | Clamp Plug | PG11 | 2 |
| 401-26 | GHD20-341 | Motor Plug | 2.0mm ² x7C | 1 |
| 401-27 | GHD20PFT-401-27 | Upper Limit Cord | 0.75mm ² x2C | 1 |
| 401-28 | GHD20PFT-401-28 | Lower Limit Cord | 0.75mm ² x2C | 1 |
| 401-29 | GHD20-342 | Power Cord | 14AWGx4C | 1 |
| 401-30 | ET-1127 | Relay | AC-24V | 1 |
| 401-31 | ET-1229 | Auxiliary Contacts | LS, AU-2M | 2 |
| 401-32 | ET-1552 | Ground Terminal | | 1 |
| 401-33 | ET-1538 | Two 2P Terminal | | 1 |
| 401-34 | ET-1512 | One 1P Terminal | | 3 |
| 401-35 | ET-1516 | Side Panel | | 1 |
| 401-36 | S804 | Pan Head Machine Screw | 3/16x5/8 | 2 |
| 401-37 | ET-1214 | Contact Block | CB-10, A contact | 2 |
| 401-38 | ET-1215 | Contacts Black | CB-10, B contact | 2 |
| 402 | GHD20PFT-402 | Round Head Screw | 3/16"x3/8" | 4 |
| 403 | GHD20PFT-403-1 | Limit Bracket (top) (GHD-20PFT only) | | 4 |
| | GHD20T-403-2 | Limit Bracket (top) (GHD-20T only) | | 4 |
| 404 | GHD20PFT-404 | Round Head Screw | 3/16"x5/8" | 4 |
| 405 | ET-1610 | Limit Block | | 2 |
| 406 | GHD20PFT-406 | Round Head Screw | M3x15 | 4 |
| 407 | GHD20PFT-407-1 | Limit Support (GHD-20PFT only) | | 1 |
| | GHD20T-407-2 | Limit Support (GHD-20T only) | | 4 |
| 408 | GHD20-339 | High-Low Cam Switch | | 4 |
| 409 | GHD20-340 | Round Head Screw | M4x20 | 4 |

Electrical Schematic (GHD-20/20PF only)

