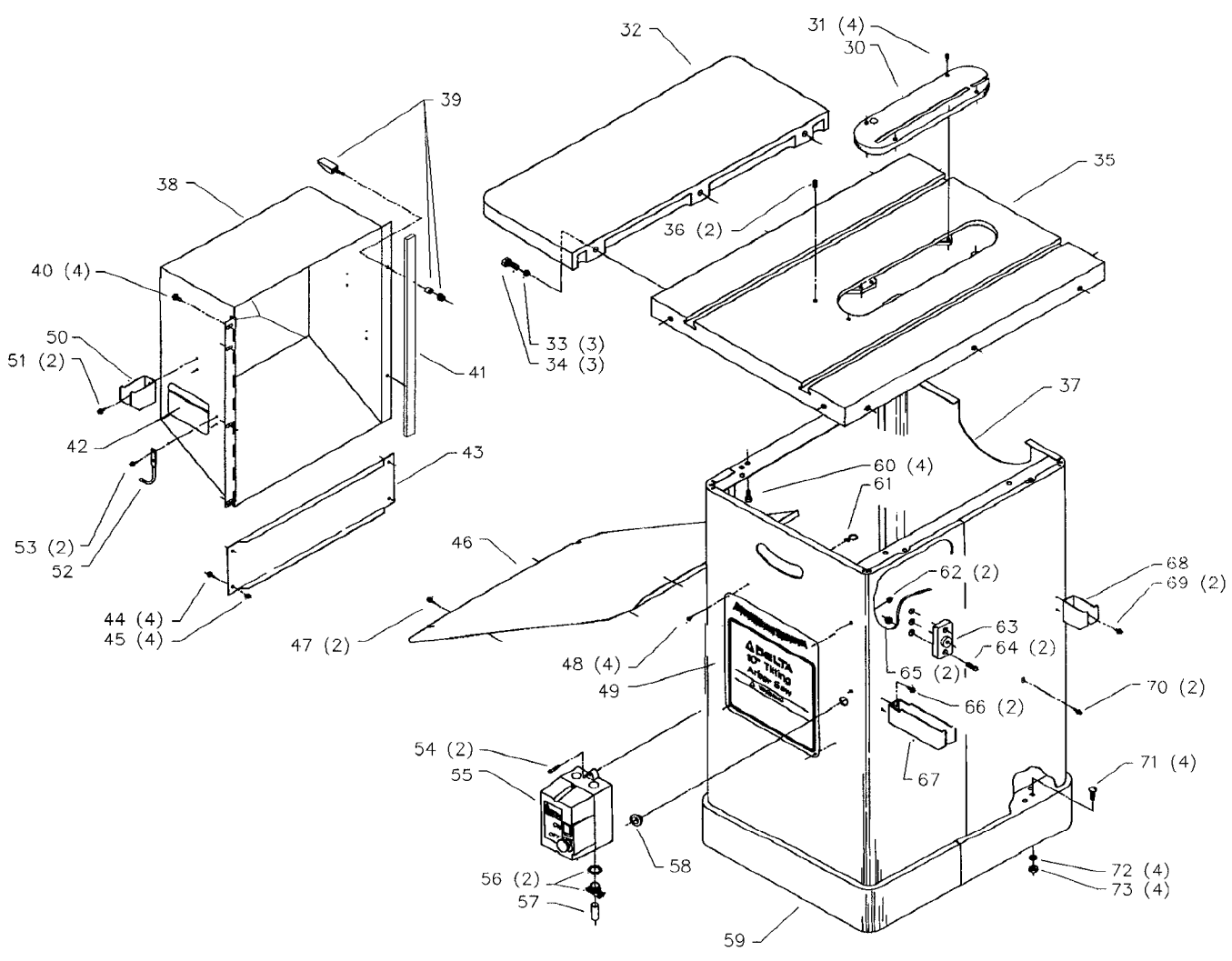
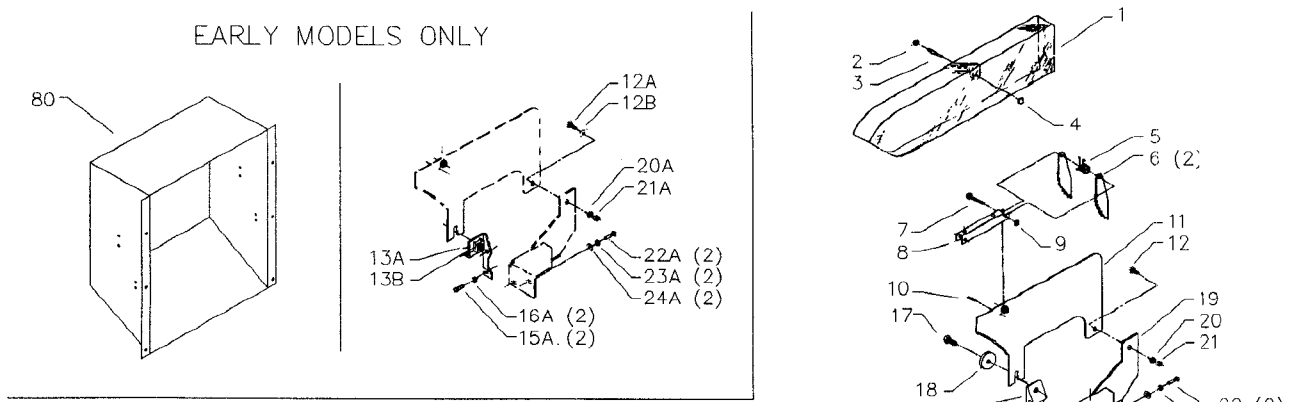
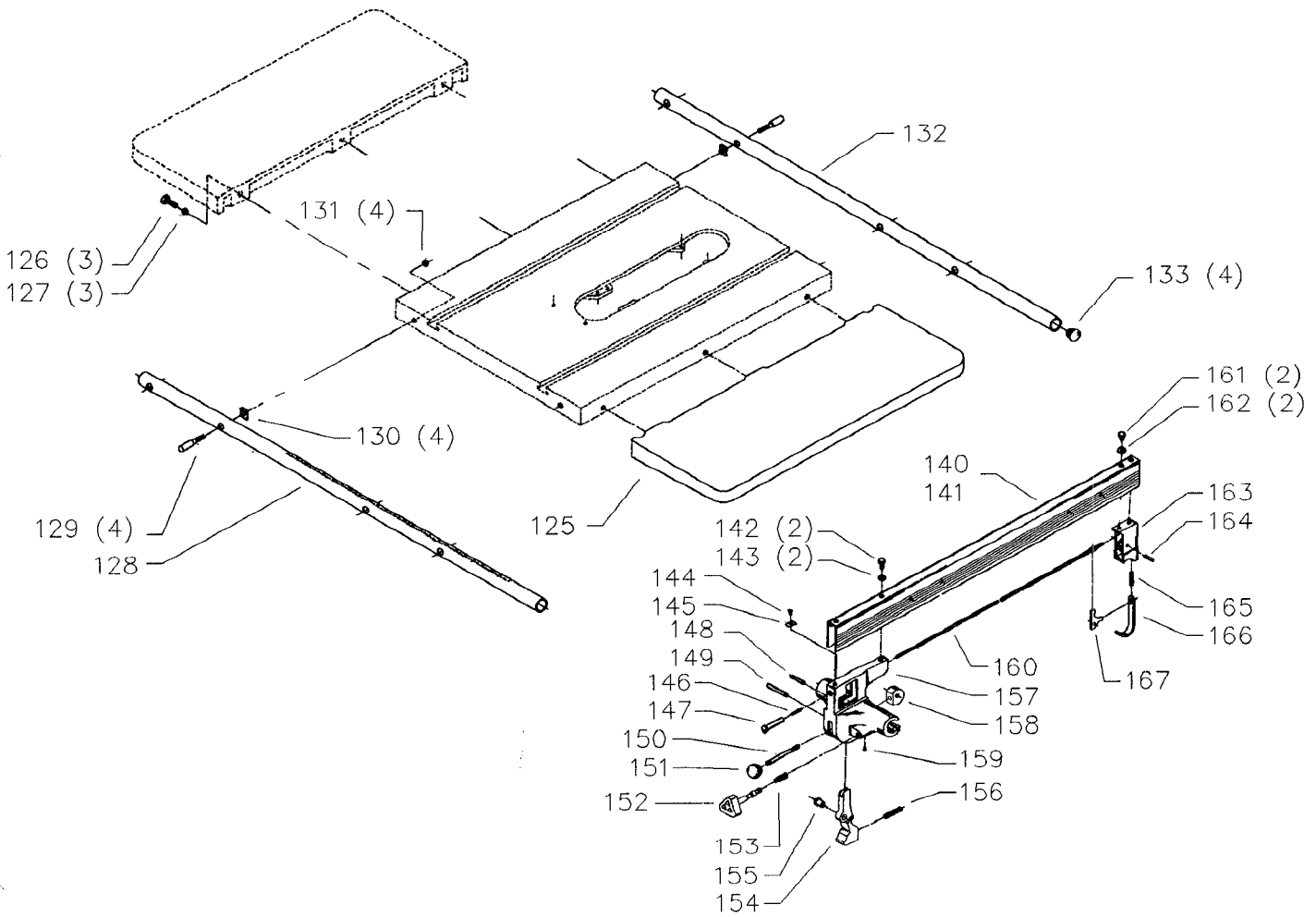
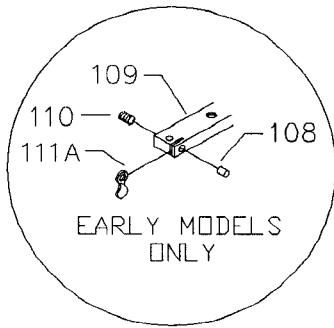
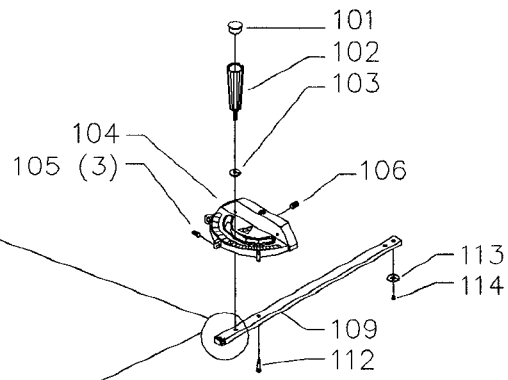
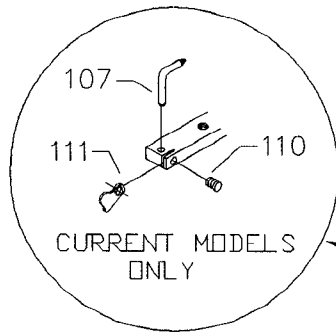
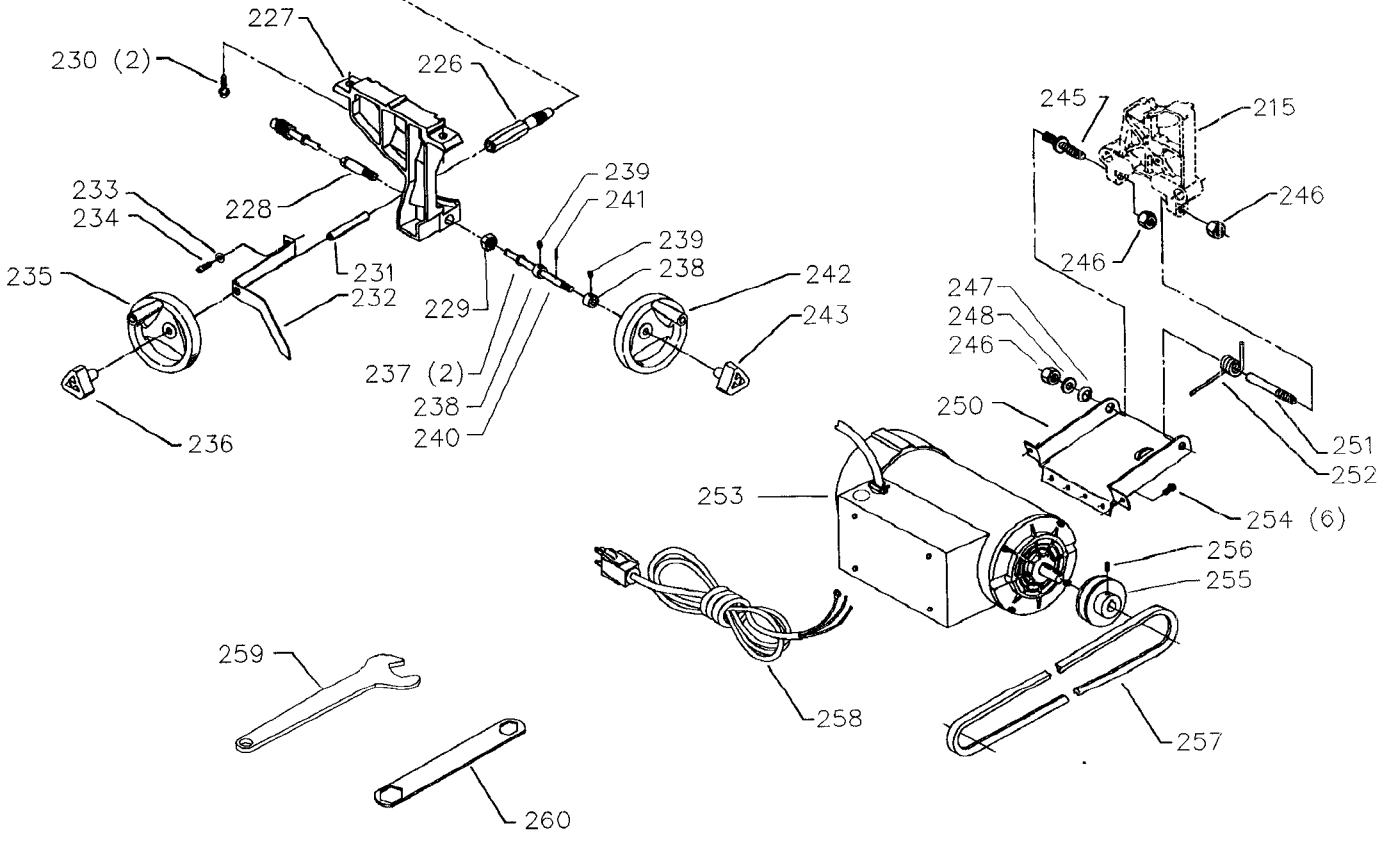
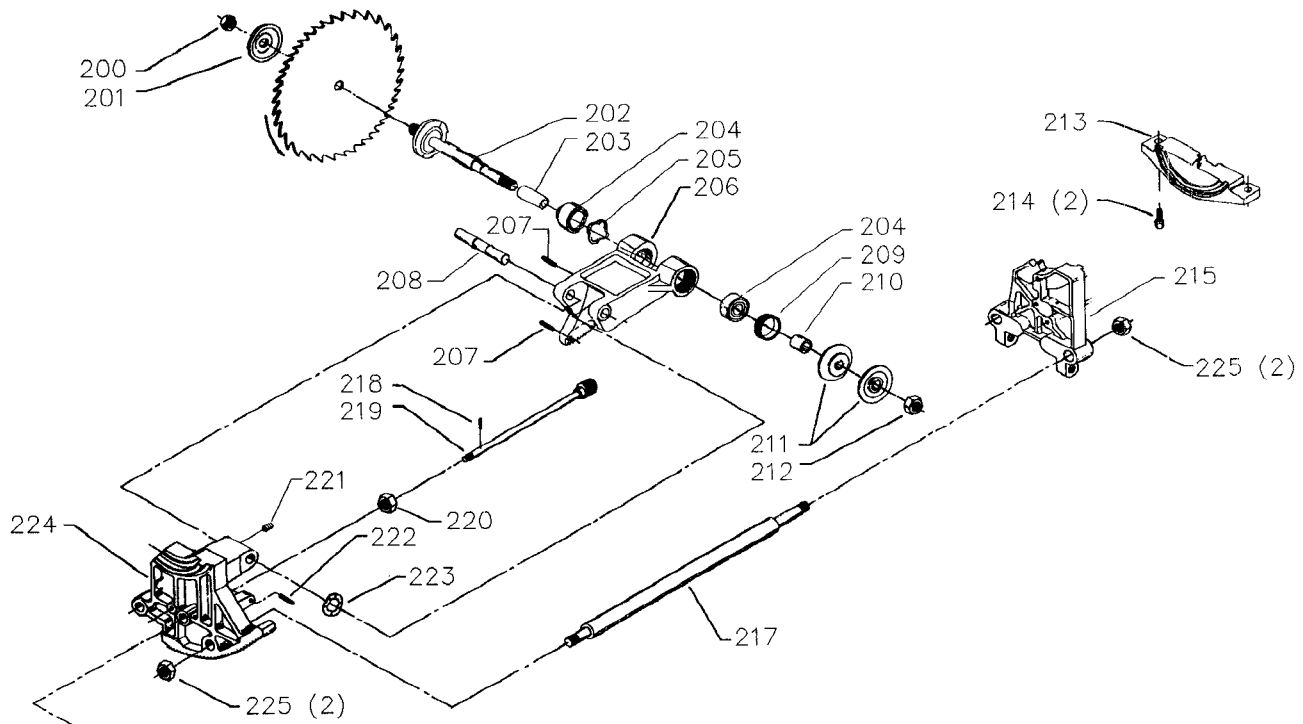


EARLY MODELS ONLY







Parts List for 36-751 Type 2

Item Number	Part Number	Description	Qty Required
1	A23469	GUARD ASSY	1
1	1086935	BLADE GUARD	1
1	1086334S	SEE THRU GUARD	1
2	1086388S	PUSH NUT CAP	1
3	1087811S	PIN	1
4	1086388S	PUSH NUT CAP	1
5	1086353S	SPRING	1
6	422160470001S	KICK BACK FINGER	2
7	422040710007S	PIN	1
8	1086337S	PIVOT BRACKET	1
9	1086387S	PUSH NUT	1
10	905010106729S	PIN	1
11	422040860002S	SPLITTER W/BUSHING	1
12	901110231476S	BOLT	1
12	901010600611S	CAP SCREW	1
12	904010312934S	WASHER	1
13	422040140037S	SPLITTER BRACKET	1
13	422043140017	BRACKET ASSY	1
13	422043140017	BRACKET ASSY	1
14	901030100230S	SCREW	1
15	901030100755S	CAP SCREW	1
15	901030103309S	CAP SCREW	2
16	904010312934S	WASHER	2
16	491957-00	LOCK WASHER	2
17	901010600649S	CAP SCREW	1
18	422030720001S	PLATE	1
19	422190890003S	BRACKET	1

Parts List for 36-751 Type 2

Item Number	Part Number	Description	Qty Required
20	904010101620S	WASHER	1
20	491957-00	LOCK WASHER	1
21	902010101300S	HEX NUT	1
21	489026-00	HEX NUT	1
22	901010600626S	CAP SCREW	2
22	901010600626S	CAP SCREW	2
23	904010101614S	STEEL WASHER	2
23	491957-00	LOCK WASHER	2
24	491957-00	LOCK WASHER	2
24	904010312934S	WASHER	2
30	34-154	STD INS 10IN CONT SW	1
31	901044615297	SCREW	4
32	000000-00	No Longer Available	1
33	904100312097S	SPECIAL WASHER	3
34	901010609964	SCREW	3
35	000000-00	No Longer Available	1
36	901042931395	NYLOC SET-SCREW	2
37	000000-00	No Longer Available	1
38	736828	MOTOR COVER	1
39	537850040001	LATCH W/BUSH & NUT	1
40	901052131498	SCREW	4
41	400064160001	GASKET	1
42	422047520187S	WARNING LABEL	1
43	000000-00	No Longer Available	1
44	000000-00	No Longer Available	4
45	902012931513S	KEPS NUT	4
46	000000-00	No Longer Available	1

Parts List for 36-751 Type 2

Item Number	Part Number	Description	Qty Required
47	901052131498	SCREW	2
48	1087794	RIVET	4
49	000000-00	No Longer Available	1
50	422350140001	MITER GAGE HOLDER	1
51	901052131498	SCREW	2
52	422350600001S	WRENCH HOOK	1
53	901052131498	SCREW	2
54	000000-00	No Longer Available	2
55	000000-00	No Longer Available	1
56	438010040007S	CLAMP	2
57	438010110054S	INSULATOR SLEEVE	1
58	438010110051	BUSHING INSULATOR	1
59	000000-00	No Longer Available	1
60	000000-00	No Longer Available	4
61	438010040083	CABLE TIE	1
62	902012931513S	KEPS NUT	2
63	422190890007S	BRACKET	1
64	901020500704	CAP SCREW	2
65	902015031514	FLANGED HEX NUT	2
66	901052131498	SCREW	2
67	422350140002S	RIP FENCE HOLDER	1
68	422350140001	MITER GAGE HOLDER	1
69	901052131498	SCREW	2
70	901052131498	SCREW	2
71	901110231476S	BOLT	4
72	904010101620S	WASHER	4
73	902010101300S	HEX NUT	4

Parts List for 36-751 Type 2

Item Number	Part Number	Description	Qty Required
80	000000-00	No Longer Available	1
101	422020740001S	HOLE PLUG	1
102	422020600003S	HANDLE	1
103	904070105555S	FIBRE WSHR	1
104	422013550004	MITER GAGE BODY	1
104	34-895	MITER GAUGE	1
105	901041501181S	SET SCREW	3
106	901041509428S	SET SCREW	1
107	422010750001S	POINTER	1
108	905010331754	ROLL PIN	1
109	34-895	MITER GAUGE	1
110	901041501181S	SET SCREW	1
111	422010880004S	STOP LINK	1
111	34-895	MITER GAUGE	1
112	422011120001S	SCREW	1
113	422040720001S	PLATE	1
114	901020305750S	MACHINE SCREW	1
125	000000-00	No Longer Available	1
126	901010609964	SCREW	3
127	904100312097S	SPECIAL WASHER	3
128	422040550001	FRONT GUIDE RAIL	1
129	422041125007	SPECIAL SCREW	4
130	422041040001	SPACER	4
131	902010101207	HEX NUT	4
132	422040550002	REAR GUIDE RAIL	1
133	961010107462	END PLUG	4
140	422190430001	FENCE BODY	1

Parts List for 36-751 Type 2

Item Number	Part Number	Description	Qty Required
141	422190430001	FENCE BODY	1
142	901010600677	CAP SCREW	2
143	904010331451	WASHER	2
144	491948-00	SCREW	1
145	951010207849	POINTER	1
146	928010215301	SPRING	1
147	422041055001	SLEEVE	1
148	422040715005	PIN	1
149	422040715004	PIN	1
150	422041115002	LEVER	1
151	931010114091	BALL HANDLE	1
152	422043515002S	KNOB & PINION	1
153	928012015898	SPRING	1
154	422043275002	FRONT CLAMP SHOE	1
155	904080214550	RUBBER BUSHING	1
156	928010414123S	SPRING	1
157	422040125005	FRONT CLAMP BODY	1
158	000000-00	No Longer Available	1
159	901041606218	SCREW	1
160	422041085001	ROD	1
161	901010600605	CAP SCREW	2
162	904010101620S	WASHER	2
163	422040105002	REAR SLIDE BLOCK	1
164	905040714459	STEEL PIN	1
165	928010414118	COIL SPRING	1
166	422040270001	HOOK	1
167	422040675001	LEVER	1

Parts List for 36-751 Type 2

Item Number	Part Number	Description	Qty Required
171	000000-00	No Longer Available	1
172	000000-00	No Longer Available	1
173	000000-00	No Longer Available	1
174	422043125008	FRONT CLAMP	1
200	902012009848S	ARBOR NUT-LH	1
201	422041035001S	FLANGE	1
202	422193030002	ARBOR ASSY	1
203	1087857S	SPACER	1
204	1086894S	BEARING	1
205	928060207382S	LOAD SPRING	1
206	422020140017	ARBOR BRACKET	1
207	905010102710	ROLL PIN	1
208	000000-00	No Longer Available	1
209	902070207176S	BEARING CLOSURE NUT	1
210	422191040005	SPACER	1
211	422191300001	PULLEY HALF	1
212	902010201226S	NUT	1
213	422020140010	TRUNNION BRACKET-R	1
214	000000-00	No Longer Available	2
215	422350950002	REAR TRUNNION	1
217	422350040001	TIE BAR	1
218	905010102711	ROLL PIN	1
219	422354060001	ELEVATING SHAFT ASSY	1
219	905010102716	PIN	2
220	902010201226S	NUT	1
221	901041419152	SCREW	1
222	905010102706S	ROLL PIN	1

Parts List for 36-751 Type 2

Item Number	Part Number	Description	Qty Required
223	928060131779	WAVE WASHER	1
224	000000-00	No Longer Available	1
225	902012831393	LOCK NUT	4
226	422351050001S	SLEEVE	1
227	1087233	TRUNNION BRACKET -F	1
228	000000-00	No Longer Available	1
229	902010209145	HEX NUT	1
230	000000-00	No Longer Available	2
231	422191040001	SPACER	1
232	422190750001	POINTER	1
233	904010101614S	STEEL WASHER	1
234	901030103309S	CAP SCREW	1
235	1086491	HANDWHEEL ASSY	1
236	422031380002S	KNOB	1
237	904070105554	WASHER	2
238	426033880001	SET COLLAR ASSY	1
239	491950-00	SET SCREW	1
240	000000-00	No Longer Available	1
241	905010102711	ROLL PIN	1
242	1086491	HANDWHEEL ASSY	1
243	422031380002S	KNOB	1
245	422351110001	SHOULDER SCREW	1
246	902010201266	HEX JAM NUT	1
247	000000-00	No Longer Available	1
248	904010101636S	WASHER	1
250	422350140004	MOTOR PLATE	1
251	000000-00	No Longer Available	1

Parts List for 36-751 Type 2

Item Number	Part Number	Description	Qty Required
252	928030131510	TORSION SPRING	1
253	82-010	MTR 1PH 2HP TS10	1
254	000000-00	No Longer Available	6
255	000000-00	No Longer Available	1
256	901041500231S	SET SCREW	1
257	925010331793	V-BELT 29IN OC	1
258	438013022013	230V POWER CORD	1
259	955010501472	OPEN-END WRENCH	1
260	422391010001S	BOX-END WRENCH	1
856	000000-00	No Longer Available	1