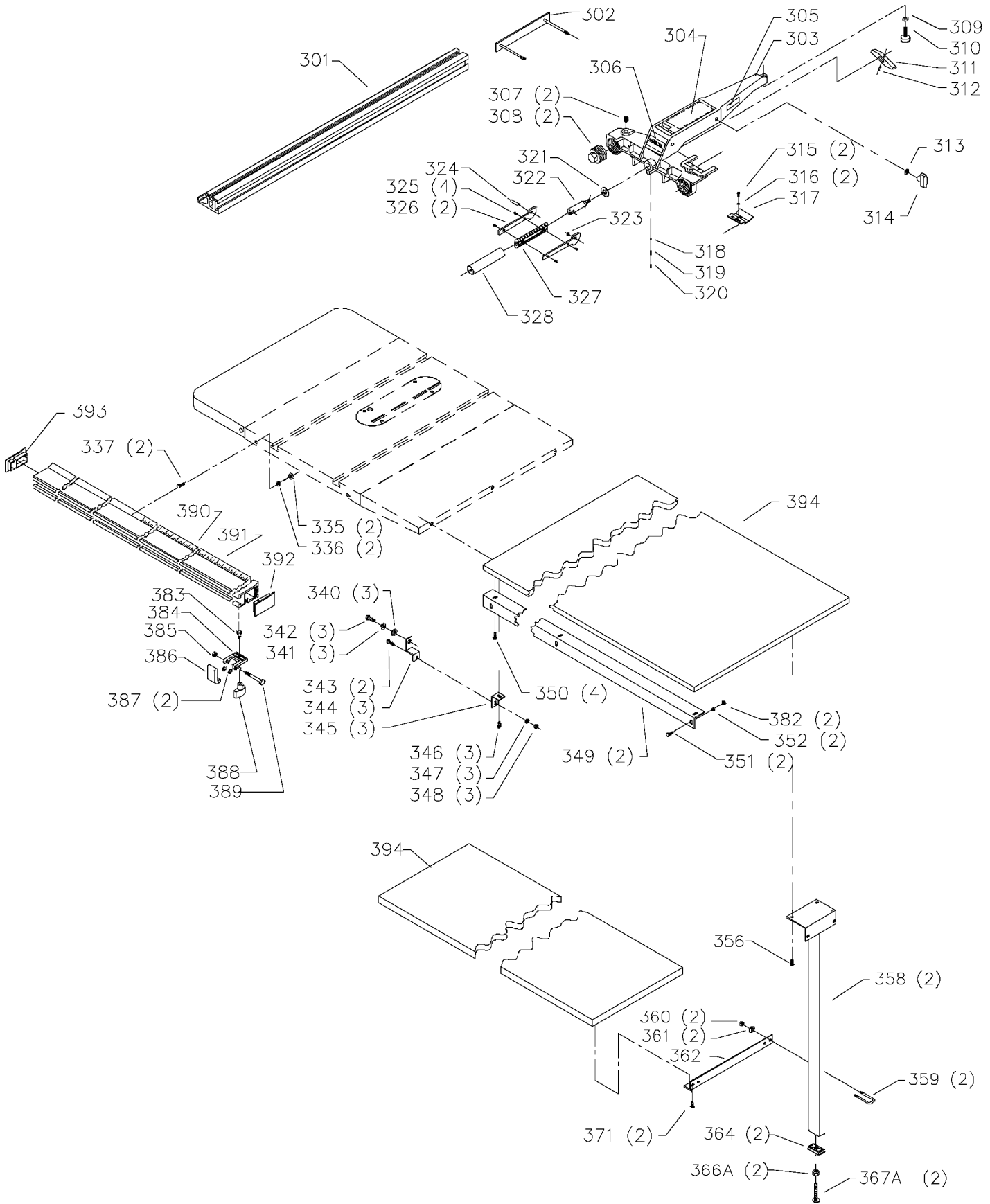


FOR MODEL 36-841



Parts List for 36-841 Type 1

Item Number	Part Number	Description	Qty Required
1	1086334S	SEE THRU GUARD	1
1	1086935	BLADE GUARD	1
1	734639	SEE THRU BL GD	1
1	000000-00	No Longer Available	1
2	1086388S	PUSH NUT CAP	2
3	1087811S	PIN	1
5	1086353S	SPRING	1
6	422160470001S	KICK BACK FINGER	2
7	422040710007S	PIN	1
8	1086337S	PIVOT BRACKET	1
9	1086387S	PUSH NUT	1
10	905010106729S	PIN	1
11	422040860002S	SPLITTER W/BUSHING	1
12	901010600649S	CAP SCREW	1
13	904010101620S	WASHER	2
14	904020101703S	LOCK WASHER	1
15	422040140052S	SPLITTER BRACKET	1
16	422040890003S	SUPPORT ROD	1
17	422040140053S	BRACKET	1
18	901010600649S	CAP SCREW	3
19	902010201226S	NUT	1
20	904030201751	LOCK WASHER	1
21	422030720001S	PLATE	1
22	422040140037S	SPLITTER BRACKET	1
23	904010101620S	WASHER	2
24	901030131698S	CAP SCREW	1
25	901030100757S	CAP SCREW	1

Parts List for 36-841 Type 1

Item Number	Part Number	Description	Qty Required
26	422020740001S	HOLE PLUG	1
27	422020600003S	HANDLE	1
28	904070105555S	FIBRE WSHR	1
29	422013550004	MITER GAGE BODY	1
29	34-895	MITER GAUGE	1
30	901041501181S	SET SCREW	1
31	901041509428S	SET SCREW	3
32	422010750001S	POINTER	1
33	34-895	MITER GAUGE	1
34	422010880004S	STOP LINK	1
35	901041501181S	SET SCREW	1
36	422040720001S	PLATE	1
37	901020305750S	MACHINE SCREW	1
38	422011120001S	SCREW	1
40	A24617S	10INUNIV WING	1
40	438010110077S	PLUG	3
41	901010609964	SCREW	6
42	904100312097S	SPECIAL WASHER	6
43	904020101703S	LOCK WASHER	2
45	901030331046S	FLAT HEAD SCREW	1
46	902010101300S	HEX NUT	1
47	904010101620S	WASHER	1
48	902012931513S	KEPS NUT	2
49	422400140014	BRACKET	1
50	901024531123S	SCREW	2
51	438013170154	STARTER	1
52	438010040007S	CLAMP	2

Parts List for 36-841 Type 1

Item Number	Part Number	Description	Qty Required
53	438010110054S	INSULATOR SLEEVE	2
54	438010160200	COVER	1
55	34-154	STD INS 10IN CONT SW	1
56	901044615297	SCREW	4
60	422043910003S	TABLE	1
65	000000-00	No Longer Available	1
66	1087794	RIVET	2
67	422041320004	TILT SCALE	1
68	1087794	RIVET	4
69	422041370011	NAMEPLATE	1
70	422043310014	MOTOR COVER	1
71	410090160004S	BUMPER	4
71	422041220005S	SPRING CLIP	4
71	422041220004	SPRING CLIP	4
71	904010131868S	WASHER	4
71	901024531123S	SCREW	4
72	400064160001	GASKET	1
72	400064160003	GASKET	1
74	000000-00	No Longer Available	1
75	406120260001S	DUST CHUTE	1
76	901052131498	SCREW	4
77	438010110021	INSULATOR	1
80	438010110065	PLUG	1
81	438010110074	HOLE PLUG 2 DIA	1
82	901030101487	SCREW	4
82	904100312097S	SPECIAL WASHER	4
82	904030301771S	WASHER	4

Parts List for 36-841 Type 1

Item Number	Part Number	Description	Qty Required
83	901110200834S	CARRIAGE BOLT	4
85	422043050001	SUB BASE	1
88	902015031514	FLANGED HEX NUT	4
89	901052131498	SCREW	4
90	422350140002S	RIP FENCE HOLDER	2
95	955030100001	1/4 HEX WRENCH	1
96	955030102155	5/64 HEX WRENCH	1
101	902012009848S	ARBOR NUT-LH	1
102	422041035001S	FLANGE	1
103	422043030003S	ARBOR & FLANGE	1
104	927030202660S	KEY	1
105	1086894S	BEARING	2
106	928060207382S	LOAD SPRING	1
107	422041040002S	SPACER	2
108	422041300003S	ARBOR PULLEY	1
109	A10686	SCREW	2
110	902070207176S	BEARING CLOSURE NUT	1
112	902012009847S	SPECIAL NUT	1
113	422043145002S	ARBOR BRACKET	1
113	422043145003S	ARBOR BRACKET	1
114	904020201704S	LOCK WASHER	2
115	901010603102S	CAP SCREW	1
116	904151017147S	RET RING	2
117	927030102653S	KEY	1
118	422043145004	MOTOR BRACKET	1
119	928060114128S	SPRING WASHER	2
120	905010105072	ROLL PIN	1

Parts List for 36-841 Type 1

Item Number	Part Number	Description	Qty Required
121	927030102657S	KEY	1
125	5140043-25	3V-BLTS 4L 261/16	1
126	41-644	HD 3GROOVE PULLY	1
127	A10686	SCREW	2
130	904100312097S	SPECIAL WASHER	1
130	904030301771S	WASHER	1
131	901010600664S	CAP SCREW	1
132	422040715001S	STEEL PIN	1
133	422040795001S	SPRING CLIP	2
134	422040365001	DEFLECTOR	1
135	422041045005	SLEEVE	2
136	901010600613	MACHINE SCREW	2
137	422041025002	YOKE	1
138	422040140051S	TRUNNION BRACKET	1
139	901030100775S	CAP SCREW	2
141	901010600682	CAP SCREW	2
142	904020201704S	LOCK WASHER	2
143	902010101207	HEX NUT	2
144	905010102734	ROLL PIN	2
145	422043955002	REAR TRUNNION	1
146	920750113934	BEARING	1
150	422040740001S	PLUG	2
151	422044120009S	LOCK KNOB	1
152	904010213577S	FIBER WASHER	2
153	905010102706S	ROLL PIN	1
154	422044065002	RAISING SHAFT	1
154	A09527S	SS/A-ELEV SHAFT/GEAR	1

Parts List for 36-841 Type 1

Item Number	Part Number	Description	Qty Required
155	902012101036S	HEX NUT	1
156	434014040001	COLLAR W SCRW	1
157	901041500206	SET SCREW	1
158	927030102650S	KEY	1
159	SSF-616-ZN	SCREW .313-24X1.00 H	2
160	902010201228	HEX JAM NUT	2
161	905010102734	ROLL PIN	2
162	904020201704S	LOCK WASHER	2
163	901030100775S	CAP SCREW	2
164	422043955001	FRONT TRUNNION	1
165	920750113935S	BUSHING	1
166	422044000005S	HANDWHEEL	1
167	901041500206	SET SCREW	1
168	904070105569	FIBRE WASHER	1
169	901030408016S	CAP SCREW	2
171	422040145001	FRONT BRACKET	1
172	901010600682	CAP SCREW	2
173	904020201704S	LOCK WASHER	2
174	902010101207	HEX NUT	2
175	927030102650S	KEY	1
176	422044065001S	TILT SHAFT W/WORM	1
177	904100314509S	COLLAR	1
178	904010213577S	FIBER WASHER	2
179	905010102706S	ROLL PIN	2
180	422040740001S	PLUG	2
181	422044120009S	LOCK KNOB	1
182	422040550006	GUIDE BLOCK	1

Parts List for 36-841 Type 1

Item Number	Part Number	Description	Qty Required
183	904100312097S	SPECIAL WASHER	1
184	901010600681	CAP SCREW	1
185	422040142008S	POINTER BRACKET	1
186	919714	SHEET MTL SCR	2
187	904070105569	FIBRE WASHER	1
188	422044000005S	HANDWHEEL	1
189	901041500206	SET SCREW	1
190	422040750002	POINTER	1
191	901061103036	SELF-TAP SCREW	1
195	422391010001S	BOX-END WRENCH	1
196	955010501472	OPEN-END WRENCH	1
301	000000-00	No Longer Available	1
301	422270430002	FENCE	1
302	400063270001	CLAMP ASSY	1
303	400063120005S	FENCE BODY	1
304	A25858S	WARNING LABEL	1
305	422277520018S	LABEL	1
306	422277540013S	LABEL	1
307	422391120005S	LEVELING SCREW	2
308	422390480001S	ADJUSTMENT PLUG	2
309	902010101300S	HEX NUT	1
310	422270480001	REAR SUPPORT FOOT	1
311	422270680003S	LOCKING LUG	1
312	905010102702	ROLL PIN	1
313	904010101620S	WASHER	1
314	424120600005S	KNOB	1
315	901024431812	SCREW	2

Parts List for 36-841 Type 1

Item Number	Part Number	Description	Qty Required
316	904010131738	WASHER	2
317	400063750002S	CURSOR	1
318	921011100001	BALL	1
319	928012500001	SPRING	1
320	901041509440	SET SCREW	1
321	422271040002	THRUST WASHER	1
322	422391060002S	SHAFT	1
323	908250131756S	O-RING	1
324	905011031370	ROLL PIN	1
325	901051631229	PAN HEAD SCREW	4
326	422390190001	CAM HANDLE	2
327	422391380002	HANDLE	1
328	422391050001S	GRIP	1
335	489191-00	HEX NUT	2
336	904010101615	STEEL WASHER	2
337	901010600642	CAP SCREW	2
340	904010101638	STEEL WASHER	3
341	904020101716	LOCK WASHER	3
342	901010600680	CAP SCREW	3
343	901110200821	CARRIAGE BOLT	2
344	422270140003S	ADAPTER	3
345	422270890007S	ANGLE BRACKET	3
346	901250431791	SCREW	3
347	904010101614S	STEEL WASHER	3
348	489026-00	HEX NUT	3
349	000000-00	No Longer Available	2
350	901250431791	SCREW	4

Parts List for 36-841 Type 1

Item Number	Part Number	Description	Qty Required
351	901010600612S	CAP SCREW	2
352	904010101614S	STEEL WASHER	2
356	901250431791	SCREW	1
358	422273660005	LEG ASSY	2
359	422271120005	U-BOLT	2
360	489026-00	HEX NUT	2
361	904010101614S	STEEL WASHER	2
362	422270890017S	SHELF SUPPORT	1
364	1350481S	LEG ADAPTER	2
366	489191-00	HEX NUT	2
367	901091315295S	LEVELING SCREW	2
371	901250431791	SCREW	2
382	489026-00	HEX NUT	2
383	901010600649S	CAP SCREW	1
384	422270840007S	BRACKET	1
384	000000-00	No Longer Available	1
385	902012122409S	STOP NUT	1
386	422270880002S	STOP	1
387	904070105573S	WASHER	2
388	424120600005S	KNOB	1
389	901010600622S	CAP SCREW	1
390	36-150	50IN UNIFENCE RAIL	1
391	400061320001S	SCALE	1
391	000000-00	No Longer Available	1
392	422270200004	END CAP	1
393	422270200003	END CAP	1
394	000000-00	No Longer Available	1

Parts List for 36-841 Type 1

Item Number	Part Number	Description	Qty Required
405	438010040054	CABLE TIE	1
846	000000-00	No Longer Available	1
846	422276280031S	HARDWARE PACK	1
846	422276280024S	HARDWARE PACK	1