

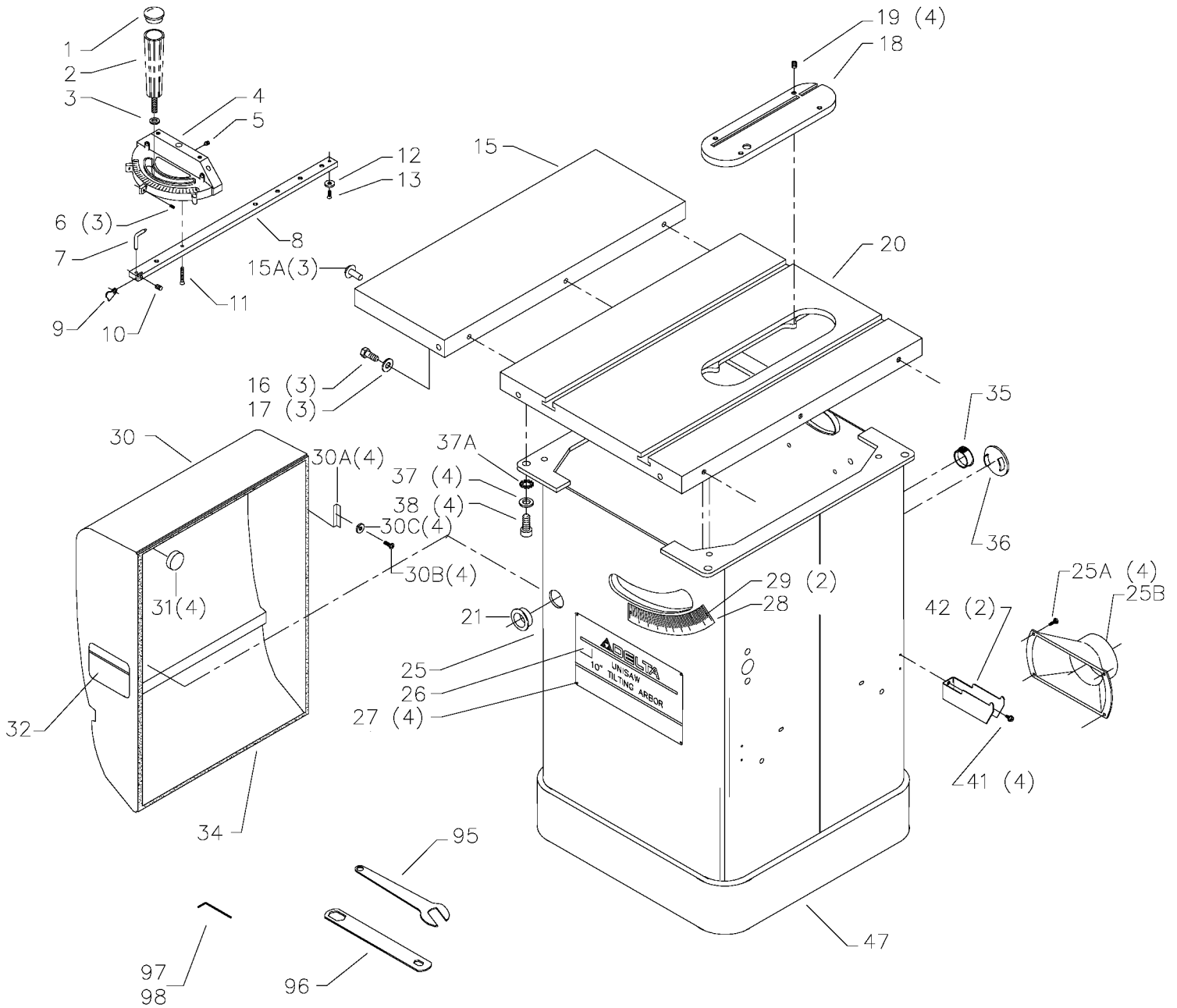


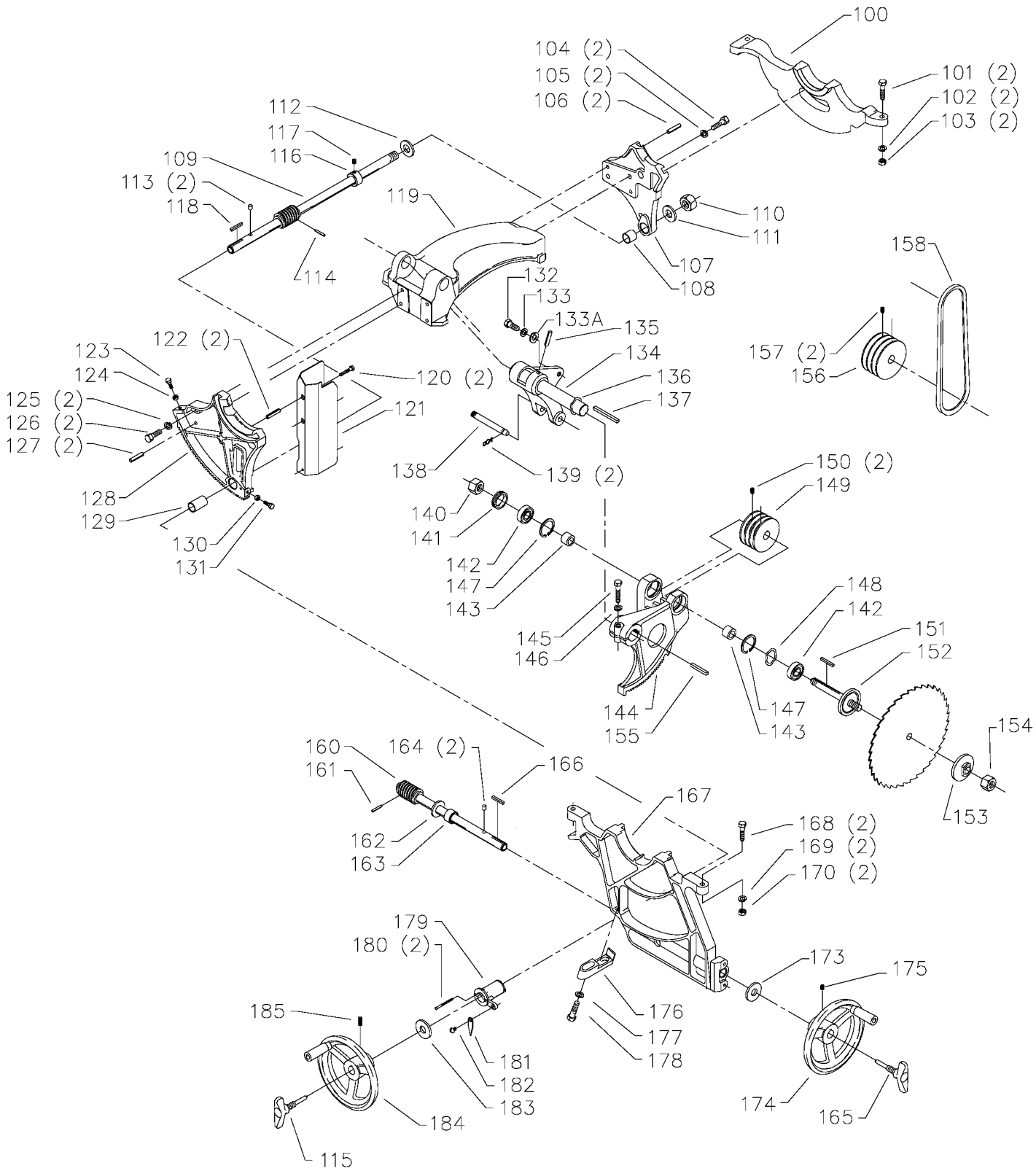
36-842, 36-844 & 36-845  
UNISAW  
LEFT TILT 10" TILTING  
ARBOR SAW

CS-4K-17-1

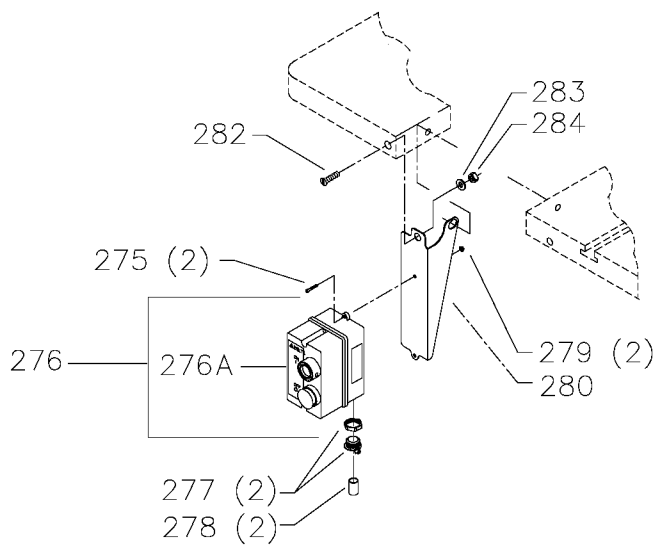
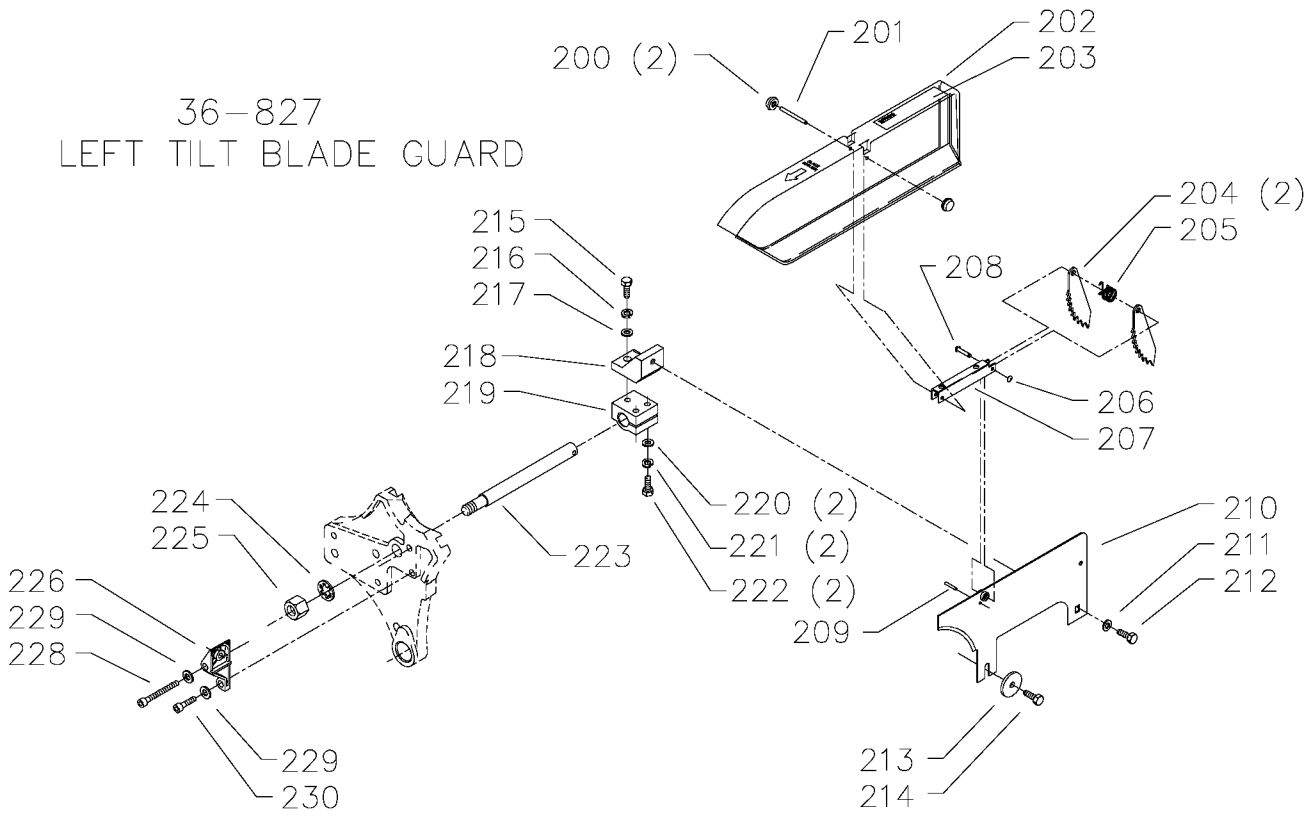
PARTS NO. 422-40-651-0014

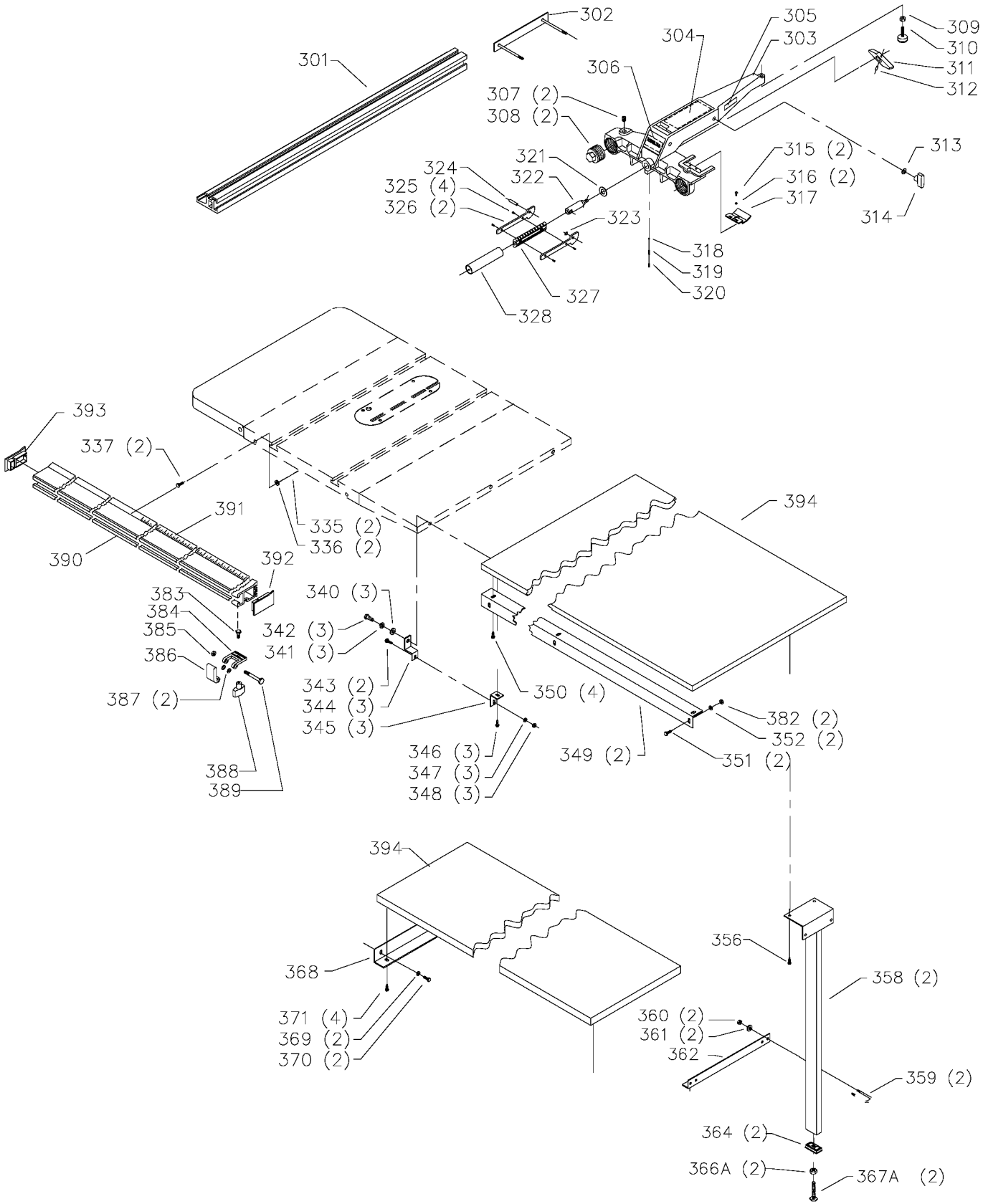
Date: 09/24/02





36-827  
LEFT TILT BLADE GUARD





## Parts List for 36-842 Type 1

Item Number	Part Number	Description	Qty Required
1	422020740001S	HOLE PLUG	1
2	422020600003S	HANDLE	1
3	904070105555S	FIBRE WSHR	1
4	422013550004	MITER GAGE BODY	1
4	34-895	MITER GAUGE	1
5	901041501181S	SET SCREW	1
6	901041509428S	SET SCREW	3
7	422010750001S	POINTER	1
8	34-895	MITER GAUGE	1
9	422010880004S	STOP LINK	1
10	901041501181S	SET SCREW	1
11	422011120001S	SCREW	1
12	422040720001S	PLATE	1
13	901020305750S	MACHINE SCREW	1
15	A24617S	10INUNIV WING	1
15	438010110077S	PLUG	3
16	901010609964	SCREW	3
17	904100312097S	SPECIAL WASHER	3
18	36-861	STD INSERT LT UNI	1
19	901044615297	SCREW	4
20	422403910001S	TABLE	1
21	438010110021	INSULATOR	1
25	422403180010	CABINET ASSY	1
25	901110200834S	CARRIAGE BOLT	1
25	902015031514	FLANGED HEX NUT	1
26	422041370011	NAMEPLATE	1
27	1087794	RIVET	4

## Parts List for 36-842 Type 1

Item Number	Part Number	Description	Qty Required
28	422401320002	TILT SCALE	1
29	1087794	RIVET	2
30	422043310014	MOTOR COVER	1
30	422041220004	SPRING CLIP	4
30	422041220005S	SPRING CLIP	4
30	901024531123S	SCREW	4
30	904010131868S	WASHER	4
31	410090160004S	BUMPER	4
32	000000-00	No Longer Available	1
34	400064160003	GASKET	1
34	400064160001	GASKET	1
35	438010110065	PLUG	1
36	438010110074	HOLE PLUG 2 DIA	1
37	904100312097S	SPECIAL WASHER	4
37	904030301771S	WASHER	1
39	406120260001S	DUST CHUTE	1
40	000000-00	No Longer Available	1
41	000000-00	No Longer Available	1
42	422350140002S	RIP FENCE HOLDER	2
47	422043050001	SUB BASE	1
95	955010501472	OPEN-END WRENCH	1
96	422391010001S	BOX-END WRENCH	1
97	955030100001	1/4 HEX WRENCH	1
98	955030102155	5/64 HEX WRENCH	1
100	422040140051S	TRUNNION BRACKET	1
101	901010600682	CAP SCREW	2
102	904020201704S	LOCK WASHER	2

## Parts List for 36-842 Type 1

Item Number	Part Number	Description	Qty Required
103	902010101207	HEX NUT	2
104	901030100775S	CAP SCREW	2
105	904020201704S	LOCK WASHER	2
106	905010102734	ROLL PIN	2
107	422403950002	REAR TRUNNION	1
108	920750113934	BEARING	1
109	422044065002	RAISING SHAFT	1
109	A09527S	SS/A-ELEV SHAFT/GEAR	1
110	902012101036S	HEX NUT	1
111	904010213577S	FIBER WASHER	1
112	904010213577S	FIBER WASHER	1
113	422040740001S	PLUG	2
114	905010102706S	ROLL PIN	1
115	422044120009S	LOCK KNOB	1
116	434014040001	COLLAR W SCRW	1
117	901041500206	SET SCREW	1
118	927030102650S	KEY	1
119	000000-00	No Longer Available	1
120	901010600613	MACHINE SCREW	2
121	422400360001S	DEFLECTOR	1
122	422041045005	SLEEVE	2
123	SSF-616-ZN	SCREW .313-24X1.00 H	1
124	902010201228	HEX JAM NUT	1
125	904020201704S	LOCK WASHER	2
126	901030100775S	CAP SCREW	2
127	905010102734	ROLL PIN	2
128	422403950001	FRONT TRUNNION	1

## Parts List for 36-842 Type 1

Item Number	Part Number	Description	Qty Required
129	920750113935S	BUSHING	1
130	902010201228	HEX JAM NUT	1
131	SSF-616-ZN	SCREW .313-24X1.00 H	1
132	901010600664S	CAP SCREW	1
133	904100312097S	SPECIAL WASHER	1
133	904030301771S	WASHER	1
134	422403140004	MOTOR BRACKET	1
135	905010105072	ROLL PIN	1
136	928060114128S	SPRING WASHER	1
137	927030102657S	KEY	1
138	422040715001S	STEEL PIN	1
139	422040795001S	SPRING CLIP	2
140	902012009847S	SPECIAL NUT	1
141	902070207176S	BEARING CLOSURE NUT	1
142	1086894S	BEARING	1
143	422041040002S	SPACER	1
144	422403140003S	ARBOR BRACKET	1
144	422403140002	ARBOR BRACKET ASSY	1
145	901010603102S	CAP SCREW	1
146	904020201704S	LOCK WASHER	1
147	904151017147S	RET RING	1
148	928060207382S	LOAD SPRING	1
149	422041300003S	ARBOR PULLEY	1
150	A10686	SCREW	2
151	927030202660S	KEY	1
152	422403030002S	ARBOR & FLANGE	1
153	422041035001S	FLANGE	1



## Parts List for 36-842 Type 1

Item Number	Part Number	Description	Qty Required
154	902012012571S	HEX NUT	1
155	927030102653S	KEY	1
156	41-644	HD 3GROOVE PULLY	1
157	A10686	SCREW	2
158	5140043-25	3V-BLTS 4L 261/16	1
160	422044065001S	TILT SHAFT W/WORM	1
161	905010102706S	ROLL PIN	1
162	904010213577S	FIBER WASHER	1
163	904100314509S	COLLAR	1
164	422040740001S	PLUG	2
165	422044120009S	LOCK KNOB	1
166	927030102650S	KEY	1
167	422400140001S	FRONT BRACKET	1
168	901010600682	CAP SCREW	2
169	904020201704S	LOCK WASHER	2
170	902010101207	HEX NUT	2
172	901030408016S	CAP SCREW	1
173	904070105569	FIBRE WASHER	1
174	422044000005S	HANDWHEEL	1
175	901041500206	SET SCREW	1
176	422040550006	GUIDE BLOCK	1
177	904100312097S	SPECIAL WASHER	1
178	901010600681	CAP SCREW	1
179	422040142008S	POINTER BRACKET	1
180	919714	SHEET MTL SCR	2
181	422400750001	POINTER	1
182	901061103036	SELF-TAP SCREW	1

## Parts List for 36-842 Type 1

Item Number	Part Number	Description	Qty Required
183	904070105569	FIBRE WASHER	1
184	422044000005S	HANDWHEEL	1
185	901041500206	SET SCREW	1
200	1086388S	PUSH NUT CAP	2
201	1087811S	PIN	1
202	736827	LT-SEE-THRU GUARD	1
202	422403540004	LFT TILT BLADE GUARD	1
202	422403540003	BLADE GUARD ASSY	1
203	422407540002S	WARNING LABEL	1
204	422160470001S	KICK BACK FINGER	2
205	1086353S	SPRING	1
206	1086387S	PUSH NUT	1
207	1086387S	PUSH NUT	1
208	422040710007S	PIN	1
209	905010106729S	PIN	1
210	422040860002S	SPLITTER W/BUSHING	1
211	904010101620S	WASHER	1
212	901010600649S	CAP SCREW	1
213	422030720001S	PLATE	1
214	901010600649S	CAP SCREW	1
215	901010600649S	CAP SCREW	1
216	904020101703S	LOCK WASHER	1
217	904010101620S	WASHER	1
218	422040140052S	SPLITTER BRACKET	1
219	422040140053S	BRACKET	1
220	904010101620S	WASHER	2
221	904020101703S	LOCK WASHER	2

## Parts List for 36-842 Type 1

Item Number	Part Number	Description	Qty Required
222	901010600649S	CAP SCREW	2
223	422040890003S	SUPPORT ROD	1
224	904030201751	LOCK WASHER	1
225	902010201226S	NUT	1
226	422400140005S	SPLITTER BRACKET	1
228	901030131698S	CAP SCREW	1
229	904010101620S	WASHER	1
230	901030100757S	CAP SCREW	1
275	901024531123S	SCREW	2
276	438013170153	STARTER	1
276	438013170154	STARTER	1
276	438010160200	COVER	1
277	438010040007S	CLAMP	2
278	438010110054S	INSULATOR SLEEVE	2
279	902012931513S	KEPS NUT	2
280	422400140014	BRACKET	1
282	901030331046S	FLAT HEAD SCREW	1
283	904010101620S	WASHER	1
284	902010101300S	HEX NUT	1
301	000000-00	No Longer Available	1
301	422270430002	FENCE	1
302	400063270001	CLAMP ASSY	1
303	400063120005S	FENCE BODY	1
304	A25858S	WARNING LABEL	1
305	422277520018S	LABEL	1
306	422277540013S	LABEL	1
307	422391120005S	LEVELING SCREW	2

## Parts List for 36-842 Type 1

Item Number	Part Number	Description	Qty Required
308	422390480001S	ADJUSTMENT PLUG	2
309	902010101300S	HEX NUT	1
310	422270480001	REAR SUPPORT FOOT	1
311	422270680003S	LOCKING LUG	1
312	905010102702	ROLL PIN	1
313	904010101620S	WASHER	1
314	424120600005S	KNOB	1
315	901024431812	SCREW	2
316	904010131738	WASHER	2
317	400063750002S	CURSOR	1
318	921011100001	BALL	1
319	928012500001	SPRING	1
320	901041509440	SET SCREW	1
321	422271040002	THRUST WASHER	1
322	422391060002S	SHAFT	1
323	908250131756S	O-RING	1
324	905011031370	ROLL PIN	1
325	901051631229	PAN HEAD SCREW	4
326	422390190001	CAM HANDLE	2
327	422391380002	HANDLE	1
328	422391050001S	GRIP	1
335	489191-00	HEX NUT	2
336	904010101615	STEEL WASHER	2
337	901010600642	CAP SCREW	2
340	904010101638	STEEL WASHER	3
341	904020101716	LOCK WASHER	3
342	901010600680	CAP SCREW	3

## Parts List for 36-842 Type 1

Item Number	Part Number	Description	Qty Required
343	901110200821	CARRIAGE BOLT	2
344	422270140003S	ADAPTER	3
345	422270890007S	ANGLE BRACKET	3
346	901250431791	SCREW	3
347	904010101614S	STEEL WASHER	3
348	489026-00	HEX NUT	3
349	000000-00	No Longer Available	2
350	901250431791	SCREW	4
351	901010600612S	CAP SCREW	2
352	904010101614S	STEEL WASHER	2
356	901250431791	SCREW	1
358	422273660005	LEG ASSY	2
359	422271120005	U-BOLT	2
360	489026-00	HEX NUT	2
361	904010101614S	STEEL WASHER	2
362	422270890017S	SHELF SUPPORT	1
364	1350481S	LEG ADAPTER	2
366	489191-00	HEX NUT	2
367	901091315295S	LEVELING SCREW	2
368	000000-00	No Longer Available	1
369	904010101614S	STEEL WASHER	2
370	901010600612S	CAP SCREW	2
371	901250431791	SCREW	4
382	489026-00	HEX NUT	2
383	901010600649S	CAP SCREW	1
384	422270840007S	BRACKET	1
385	902012122409S	STOP NUT	1

## Parts List for 36-842 Type 1

Item Number	Part Number	Description	Qty Required
386	422270880002S	STOP	1
386	000000-00	No Longer Available	1
387	904070105573S	WASHER	2
388	424120600005S	KNOB	1
389	901010600622S	CAP SCREW	1
390	36-150	50IN UNIFENCE RAIL	1
391	400061320001S	SCALE	1
391	000000-00	No Longer Available	1
392	422270200004	END CAP	1
393	422270200003	END CAP	1
394	000000-00	No Longer Available	1
846	422047250002S	GUARD MT	1
846	422407250001	HARDWARE PACK	1
846	422047250006	HARDWARE PACK	1
856	438023146203	1PH 5HP 230V MOTOR	1
856	438023146204	MOTOR - 1PH-3HP-230V	1