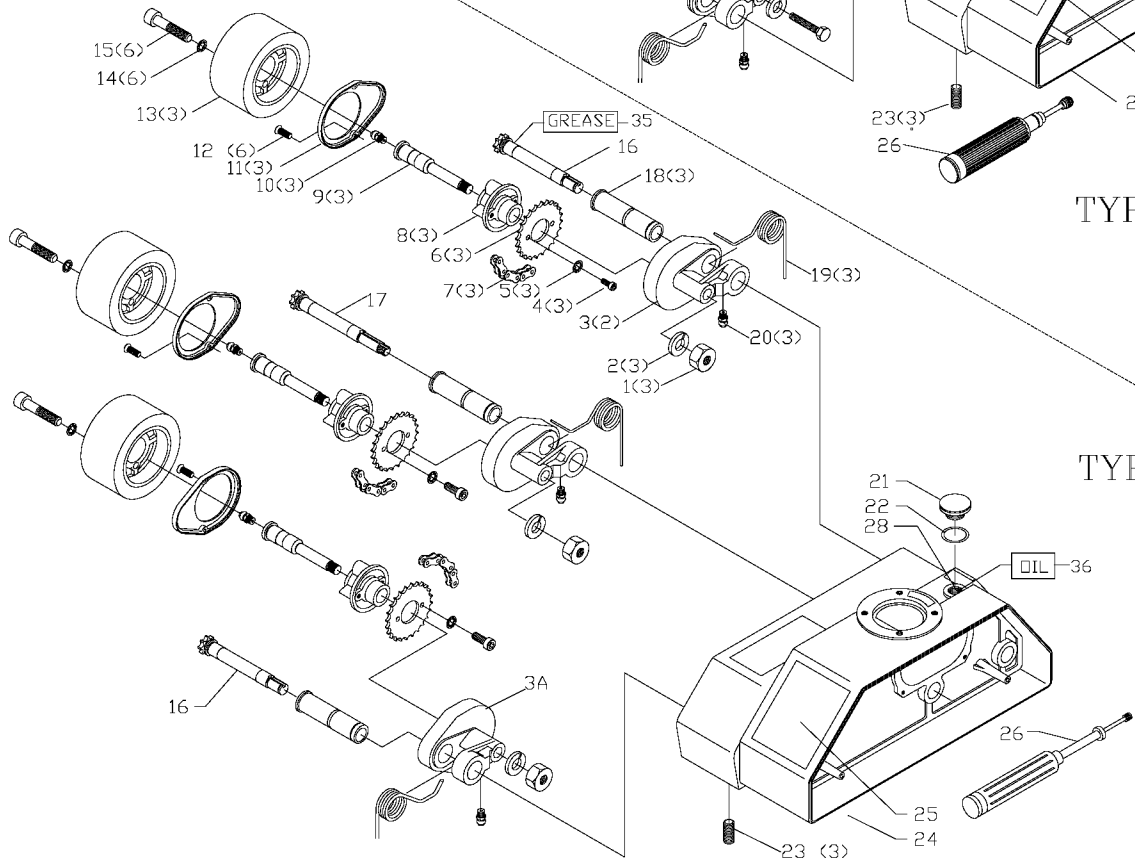
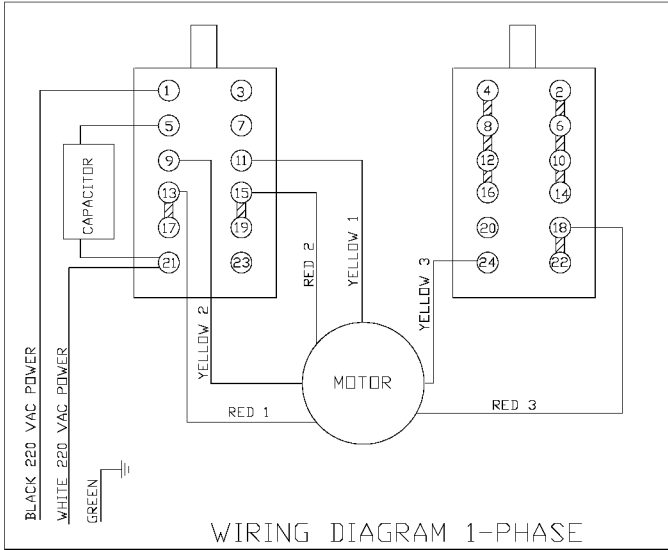


TYPE 2



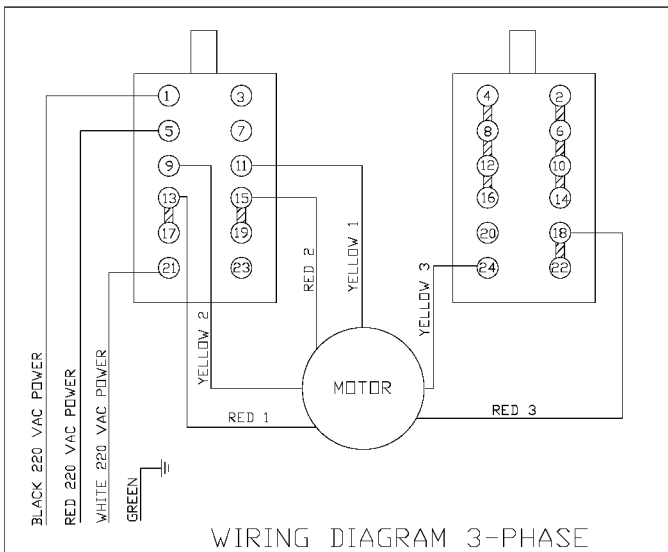
TYPE 1



SERVICE NOTES:
 DO NOT REMOVE THE SWITCH WIRES BEFORE POSITIVE IDENTIFICATION OF THE CONNECTIONS CAN BE MADE FOR YOUR UNIT. THE WIRING DIAGRAMS SHOWN MAY NOT AGREE WITH THE WIRING ON YOUR UNIT. IF THE WIRES DO NOT HAVE ANY MARKINGS THAT CORRESPOND TO THE TERMINAL MARKINGS ON THE SWITCH, THEY MUST BE MARKED BEFORE REMOVAL.

SWITCHES USED FOR SERVICE MAY COME WITH EXTERNAL JUMPERS IN DIFFERENT POSITIONS THAN THOSE SHOWN ON THE WIRING DIAGRAMS, OR ON YOUR UNIT. THEY CAN BE EASILY MOVED TO AGREE WITH THE POSITIONS ON YOUR UNIT OR TO AGREE WITH THE WIRING DIAGRAMS.

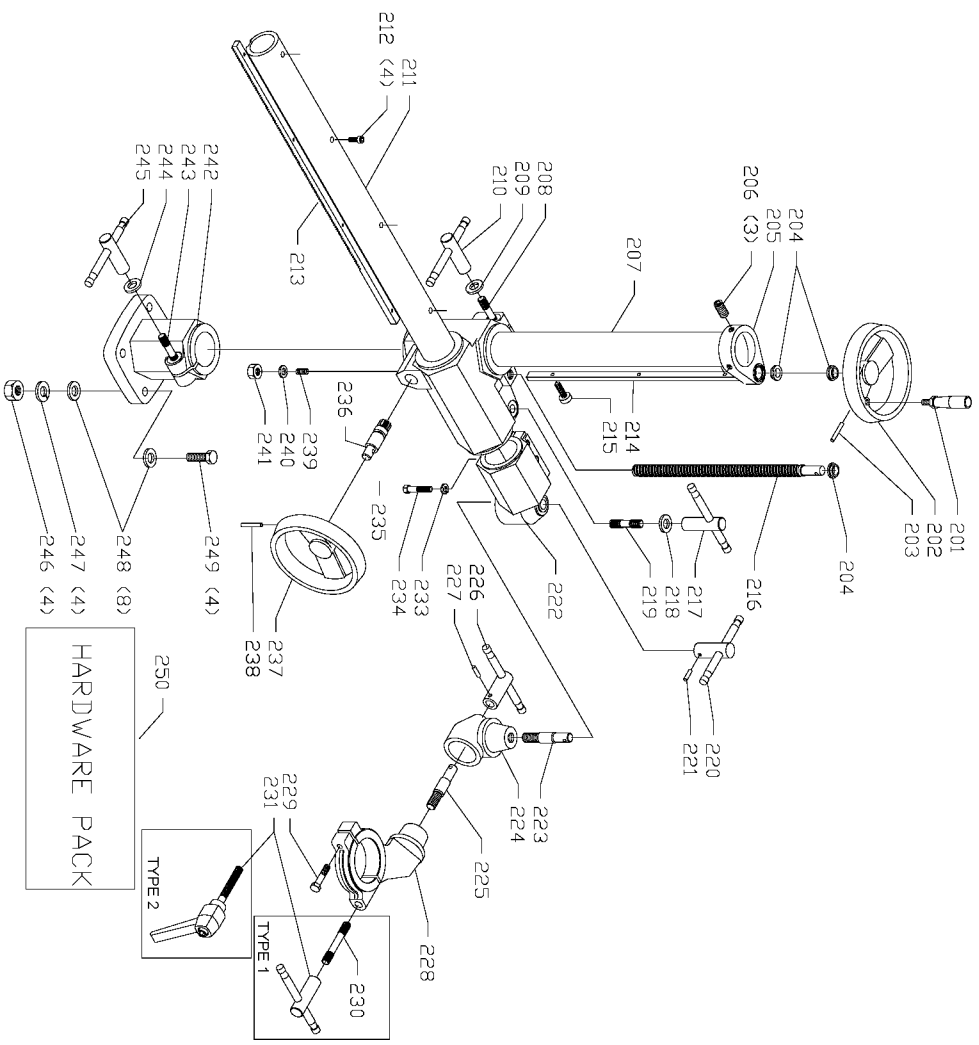
EXTERNAL JUMPER BETWEEN TERMINALS

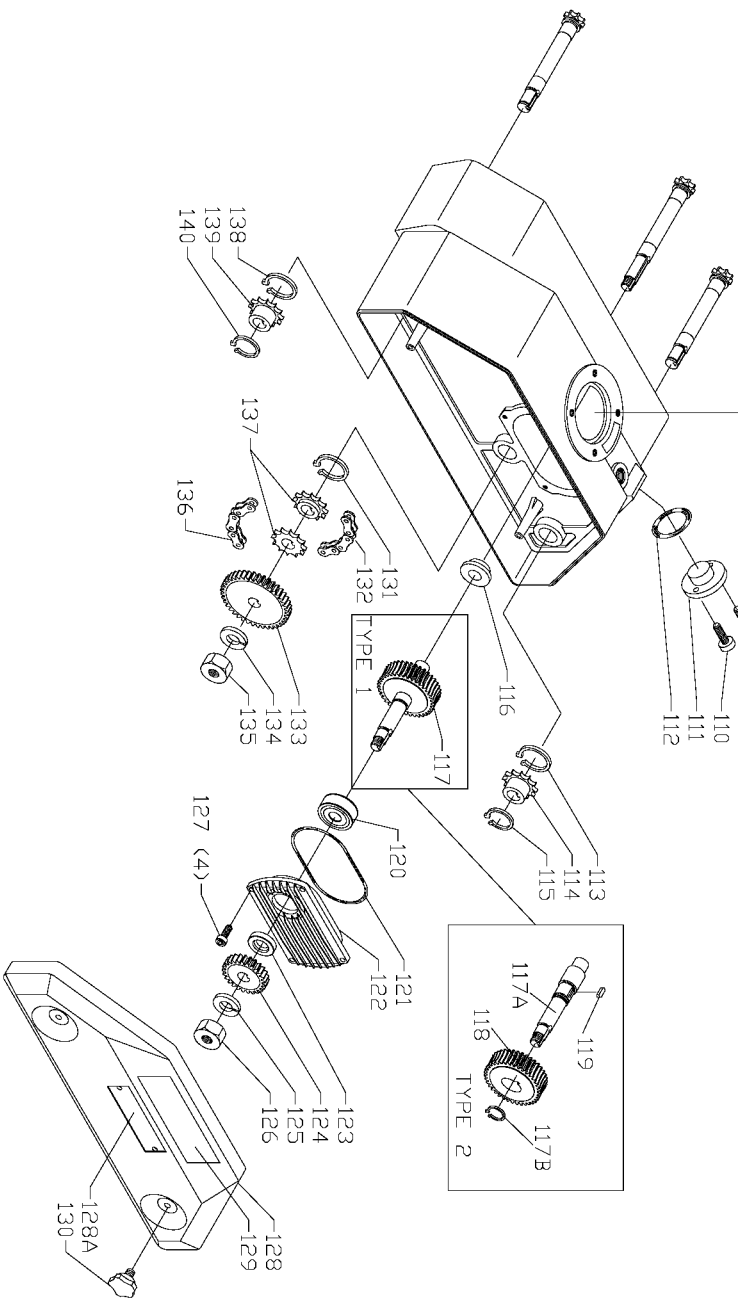
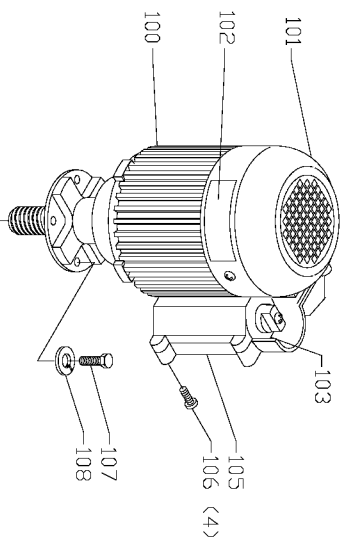


SERVICE NOTES:
 DO NOT REMOVE THE SWITCH WIRES BEFORE POSITIVE IDENTIFICATION OF THE CONNECTIONS CAN BE MADE FOR YOUR UNIT. THE WIRING DIAGRAMS SHOWN MAY NOT AGREE WITH THE WIRING ON YOUR UNIT. IF THE WIRES DO NOT HAVE ANY MARKINGS THAT CORRESPOND TO THE TERMINAL MARKINGS ON THE SWITCH, THEY MUST BE MARKED BEFORE REMOVAL.

SWITCHES USED FOR SERVICE MAY COME WITH EXTERNAL JUMPERS IN DIFFERENT POSITIONS THAN THOSE SHOWN ON THE WIRING DIAGRAMS, OR ON YOUR UNIT. THEY CAN BE EASILY MOVED TO AGREE WITH THE POSITIONS ON YOUR UNIT OR TO AGREE WITH THE WIRING DIAGRAMS.

EXTERNAL JUMPER BETWEEN TERMINALS





Parts List for 36-852 Type 2

Item Number	Part Number	Description	Qty Required
1	A08819	SCREW	3
2	1246065	LOCKWASHER	3
3	A08820	RH SUPPORT	2
3	A08821	LH SUPPORT	1
4	1246004	CAP SCREW	3
5	904030201667	WASHER	3
6	1348072	SPROCKET 22 TOOTH	3
7	1348073	CHAIN 26 LINKS	3
8	A08822	HUB	3
9	A08823	SHAFT	3
9	1330075	RETAINING RING	3
10	1347864	GREASE FITTING	3
11	A08824	COVER	3
12	1330398	SCREW	6
16	1348075	SHAFT	3
17	1348078	SHAFT W/THREAD	3
18	1348071	BUSHING	3
19	1348069	SPRING	3
20	1347864	GREASE FITTING	3
21	1348063	OIL PLUG	1
22	1348064	SEAL	1
23	1243321	SCREW	3
24	A12100	CASE	1
25	A08327	WARNING LABEL	1
26	1347915	LUBE GUN	1
28	5140057-78	WHEEL	3
29	A12102	TIRE	3

Parts List for 36-852 Type 2

Item Number	Part Number	Description	Qty Required
30	5140057-78	WHEEL	3
31	904030201750	LOCK WASHER	6
32	1349916	SCREW	6
33	904030201750	LOCK WASHER	6
34	1246054	CAP SCREW	6
35	328771-02	GREASE	1
36	999010131210	OIL - 1PT	2
100	1348109	MOTOR 3 PHASE	1
101	1348133	FAN COVER	1
102	A08317	MOTOR PLATE	1
103	1348054	SWITCH ASSY	1
103	1348056	SWITCH PLATE	1
103	1348054	SWITCH ASSY	1
103	1348111	POWER CORD	1
103	1348059	STRAIN RELIEF	1
103	1348057	CAPACITOR 35UF	1
105	1348060	SWITCH BOX ASSY	1
106	1348061	SCREW	4
107	1246034	CAP SCREW	1
108	488813-00	LOCK WASHER	1
109	1348062	O-RING	1
110	1346203	SCREW	1
111	1348066	COVER	1
112	1348065	SEAL	1
113	1246181	RET RING	1
114	1347877	SPROCKET LONG	1
115	1246196	EXT RET RING	1

Parts List for 36-852 Type 2

Item Number	Part Number	Description	Qty Required
116	1347879	BUSHING	1
117	A12105	SHAFT	1
117	1246180	RET RING	1
118	A12106	GEAR	1
119	1340469	KEY	1
120	920040205384	BEARING	1
121	1348134	O-RING	1
122	A08825	COVER	1
123	1347884	SEAL	1
124	1348082	GEAR 25 TOOTH	1
125	1243556	FLAT WASHER	1
126	1340478	NUT	1
127	1344933	SCREW	4
128	A12107	COVER	1
128	A08337	NAMEPLATE	1
129	1348087	SPEED CHART	1
130	1348088	KNOB ASSY	1
131	1246181	RET RING	1
132	1348080	CHAIN 62 LINKS	1
133	1348081	GEAR 40 TOOTH	1
134	1243556	FLAT WASHER	1
135	1340478	NUT	1
136	1348079	CHAIN 40 LINKS	1
137	1347874	SPROCKET SHORT	1
138	1246181	RET RING	1
139	1347877	SPROCKET LONG	1
140	1246196	EXT RET RING	1

Parts List for 36-852 Type 2

Item Number	Part Number	Description	Qty Required
200	36-857	STAND	1
201	1348136	KNOB	1
202	1348089	HANDWHEEL	1
203	1246062	ROLL PIN	1
204	1348090	BUSHING	3
205	A12108	BRACKET	1
206	1340435	SCREW	3
207	1348095	COLUMN VERT	1
208	1348096	STUD	1
209	1243556	FLAT WASHER	1
210	1348093	HANDLE ASSY	1
211	1348097	COLUMN HORZ	1
212	1246051	CAP SCREW	4
213	1348105	RACK HORZ	1
214	1348094	GUIDE VERT	1
215	1344933	SCREW	1
216	1348092	SCREW VERT	1
217	1348093	HANDLE ASSY	1
218	1243556	FLAT WASHER	1
219	1348096	STUD	1
220	1348098	HANDLE ASSY	1
221	1246024	ROLL PIN	1
222	A12109	PIVOT JOINT	1
223	1348102	STUD	1
224	A12110	PIVOT JOINT CENTER	1
225	1348102	STUD	1
226	1348098	HANDLE ASSY	1

Parts List for 36-852 Type 2

Item Number	Part Number	Description	Qty Required
227	1246024	ROLL PIN	1
228	A12111	PIVOT JOINT LOWER	1
229	1246032	CAP SCREW	1
231	A08830	HANDLE ASSY	1
233	1243360	LOCKWASHER	1
234	1341229	SCREW	1
235	A12112	BRACKET	1
236	1348104	SHAFT	1
237	1348106	HANDLE	1
238	1246062	ROLL PIN	1
239	A08828	SCREW	1
240	488813-00	LOCK WASHER	1
241	491964-00	NUT	1
242	A12113	BASE	1
243	1348096	STUD	1
244	1243556	FLAT WASHER	1
245	A08829	HANDLE ASSY	1
246	1243476	NUT	4
247	1246065	LOCKWASHER	4
248	904010315734	SPEC WSHR	8
249	1340563	SCREW	4
250	A12114	HARDWARE PACK	1