

Saw Table - F 012 370 000 - 3700

Item	Part Number	Description	Illustration	Price	Quantity	Price Group
1	2 610 358 924	Motor Housing	1	-,-	1	29
2	2 610 909 424	Field 120V	1	-,-	1	37
3	2 610 905 924	Armature 120V	1	-,-	1	47
4	2 610 912 921	Switch	1	-,-	1	27
5	2 610 912 922	Cord	1	-,-	1	-
6	2 610 358 840	Grommet	1	-,-	1	12
7	2 610 358 842	Clamp	1	-,-	1	11
8	2 610 924 568	Nameplate	1	-,-	1	-
13	2 610 015 747	Ball Bearing	1	-,-	1	26
14	2 610 017 349	Deep-Groove Ball Bearing	1	-,-	1	31
19	2 610 358 841	Hex Screw	1	-,-	2	11
20	2 610 912 925	Warning Label	1	-,-	1	-
22	2 610 358 803	Spacer	2	-,-	2	12
23	2 610 358 801	Washer	2	-,-	1	11
24	2 610 358 802	Washer	1	-,-	4	11
25	2 610 304 772	Nut	1	-,-	2	11
26	2 610 358 804	Backing Pad	2	-,-	1	11
27	2 610 905 900	Bracket Holder	2	-,-	1	18
28	2 610 358 806	Pivot Pin	2	-,-	2	11
29	2 610 358 807	Nut	2	-,-	4	11
30	2 610 358 800	Pivoting Blade Guard	2	-,-	1	27
31	2 610 358 811	Pin	2	-,-	1	-
32	2 610 358 808	Holding Plate	2	-,-	2	12
33	2 610 358 809	Spacer	2	-,-	2	11
34	2 610 912 939	Riving Knife	2	-,-	1	-
35	2 610 358 810	Spring	2	-,-	1	11
36	2 610 358 812	Bolt	2	-,-	1	11
37	2 610 358 813	Nut	2	-,-	2	11
38	2 610 947 316	Screw	1	-,-	1	-
39	2 610 910 013	Washer	1	-,-	1	12
40	2 610 912 936	Connecting Block	1	-,-	1	-
41	2 610 358 819	Screw	2	-,-	2	12
42	2 610 912 937	Bracket	1	-,-	1	-

Item	Part Number	Description	Illustration	Price	Quantity	Price Group
43	2 610 912 938	Clamping Plate	1	-,-	1	-
44	2 610 912 941	Screw	1	-,-	3	-
45	2 610 998 580	Screw	1	-,-	1	10
46	2 610 924 975	Handle	2	-,-	1	-
47	2 610 044 563	Nut	2	-,-	1	11
48	2 610 358 895	Bolt	2	-,-	1	13
49	2 610 358 896	Pin	2	-,-	1	13
50	2 610 358 894	Bolt	2	-,-	1	-
51	2 610 910 017	Clamping Piece	2	-,-	1	20
52	2 610 358 890	Lever	2	-,-	1	16
53	2 610 358 891	Clamp	2	-,-	1	15
54	2 610 358 892	Cover	2	-,-	2	12
55	2 610 947 814	Screw	2	-,-	1	-
56	2 610 358 899	Spring	2	-,-	1	11
57	2 610 913 862	Screw	2	-,-	1	10
58	2 610 912 927	Pointer	2	-,-	1	-
59	2 610 924 595	Housing	2	-,-	1	-
60	2 610 358 888	Housing	2	-,-	1	29
61	2 610 358 887	Sliding Piece	2	-,-	1	13
62	2 610 358 886	Spring	2	-,-	1	-
63	2 610 358 885	Clamp	2	-,-	1	15
64	2 610 358 884	Rod	2	-,-	1	16
65	2 610 912 929	Handle	2	-,-	1	-
66	2 610 358 907	Washer	2	-,-	1	11
67	2 610 358 910	Gear Housing	2	-,-	1	27
68	2 610 358 911	Pin	2	-,-	1	11
69	2 610 358 913	Sliding Piece	2	-,-	1	14
70	2 610 358 832	Screw	1	-,-	9	11
71	2 610 990 539	Cyl Head tapping screw	2	-,-	1	11
72	2 610 913 860	Pointer	2	-,-	1	-
73	2 610 912 930	Guide Bar	2	-,-	1	22
74	2 610 358 858	Nut	1	-,-	1	13
75	2 610 358 857	Washer	1	-,-	1	17
76	2 610 912 924	Base	1	-,-	1	42
77	2 610 358 914	Shaft	1	-,-	1	29
78	2 610 358 915	Key	1	-,-	1	13
79	2 610 015 361	Deep-Groove Ball Bearing	1	-,-	1	28
80	2 610 358 916	Spring retaining ring	1	-,-	1	11
81	2 610 358 920	Screw	1	-,-	6	11
82	2 610 358 917	Bearing Housing	1	-,-	1	15
83	2 610 358 918	Bearing Housing	1	-,-	1	22
84	2 610 358 919	Conversion Gear	1	-,-	1	27
85	2 610 358 922	Needle-Roller Bearing	1	-,-	1	24
86	2 610 908 278	Gear Housing	1	-,-	1	33
87	2 610 358 926	Collar bolt	1	-,-	2	-
88	2 610 358 936	Washer	1	-,-	2	11
89	2 610 358 927	Washer	1	-,-	1	11
90	2 610 358 928	Screw	1	-,-	3	11
91	2 610 351 107	Nut	1	-,-	2	11
92	2 610 358 937	Rubber Buffer	1	-,-	2	11
93	2 610 358 935	Housing	1	-,-	1	16
94	2 610 358 932	Connector	1	-,-	1	11
95	2 610 909 438	Cord	1	-,-	1	16

Item	Part Number	Description	Illustration	Price	Quantity	Price Group
96	2 610 998 567	Clamp Bushing	1	-,-	1	10
97	2 610 358 822	Insert	1	-,-	1	19
98	2 610 358 823	Screw	1	-,-	2	11
99	2 610 358 824	Nut	1	-,-	2	11
100	2 610 358 826	Cross Recessed-Head Screw	1	-,-	6	11
101	2 610 358 827	Screw	1	-,-	1	11
102	2 610 358 828	Screw	1	-,-	1	11
103	2 610 924 570	Table	1	-,-	1	-
105	2 610 358 876	Nut	1	-,-	15	11
106	2 610 358 867	Strap	1	-,-	4	12
107	2 610 912 935	Rod	1	-,-	1	-
108	2 610 903 744	Strap	1	-,-	2	11
109	2 610 905 904	Bracket Holder	1	-,-	1	18
110	2 610 358 863	Hex Screw	1	-,-	1	11
111	2 610 358 865	Block	1	-,-	1	12
112	2 610 905 908	Cross Recessed-Head Screw	1	-,-	3	11
113	2 610 358 882	Bolt	1	-,-	2	11
114	2 610 908 268	Screw	1	-,-	2	11
115	2 610 908 270	Washer	1	-,-	2	11
116	2 610 908 271	Tapping Screw	1	-,-	2	11
117	2 610 908 269	Support	1	-,-	1	14
118	2 610 990 544	Motor Bracket	1	-,-	1	21
119	2 610 910 044	Pan head screw	1	-,-	1	13
120	2 610 358 860	Hex Screw	1	-,-	3	11
121	2 610 908 272	Nut	1	-,-	2	10
122	2 610 358 861	Hex Screw	1	-,-	2	11
123	2 610 358 862	Spacer	1	-,-	2	12
124	2 610 358 869	Retaining snap ring	1	-,-	1	11
125	2 610 901 978	Spacer	1	-,-	1	11
126	2 610 358 874	Pivot Pin	1	-,-	1	17
127	2 610 358 877	Hex Nut	1	-,-	2	11
128	2 610 358 878	Washer	1	-,-	1	11
129	2 610 358 879	Washer	1	-,-	1	11
130	2 610 358 868	Spring Pin	1	-,-	1	15
131	2 610 990 545	Mounting Plate	1	-,-	1	35
132	2 610 903 733	Spring	1	-,-	1	12
133	2 610 912 932	Handwheel	1	-,-	1	-
134	2 610 912 933	Knob	1	-,-	1	-
135	2 610 990 547	Pan head screw	1	-,-	1	11
136	2 610 358 833	Washer	1	-,-	2	11
137	2 610 990 548	Handle	1	-,-	1	42
138	2 610 358 844	Screw	1	-,-	3	11
139	2 610 910 018	Switch Cover	1	-,-	1	-
140	2 610 358 831	Clamping Plate	1	-,-	1	11
141	2 610 358 846	Rubber Bushing	1	-,-	4	11
142	2 610 702 414	Screw	2	-,-	1	11
143	2 610 912 934	Warning Label	4	-,-	1	-
144	2 610 358 830	Hex Screw	1	-,-	4	11
145	2 610 306 005	Cross Recessed-Head Screw	1	-,-	3	12
146	2 610 026 248	Washer	1	-,-	3	11
147	2 610 358 881	Pointer	1	-,-	1	14
148	2 610 990 549	Deflector Plate	1	-,-	1	12
149	2 610 994 251	Spacer	1	-,-	1	11

Item	Part Number	Description	Illustration	Price	Quantity	Price Group
150	2 610 994 252	Carrying Bolt	1	-,-	1	12
152	2 610 924 593	Cover	1	-,-	2	-
153	2 610 905 909	Screw	1	-,-	4	11
154	2 610 358 904	Spacer	1	-,-	4	13
155	2 610 911 896	Nut	1	-,-	1	10
156	2 610 912 945	Post	1	-,-	1	-
157	2 610 998 574	Screw	1	-,-	1	10
158	2 610 997 243	Spring retaining ring	1	-,-	1	-
159	2 610 912 946	Label	1	-,-	2	-
164	2 610 924 571	Scale	1	-,-	1	-
165	2 610 925 055	Scale	1	-,-	1	-
166	2 610 924 572	Guide	1	-,-	1	-
167	2 610 924 590	Guide	1	-,-	1	-
168	2 610 924 973	Connector	1	-,-	1	-
169	2 610 924 582	Trunnion	2	-,-	10	-
170	2 610 924 573	Lcd-Display	1	-,-	1	-
171	2 610 924 966	Sticker	1	-,-	2	-
172	2 610 925 185	Table top	2	-,-	1	-
173	2 610 924 576	Bracket	2	-,-	2	-
174	2 610 924 577	Lever	2	-,-	2	-
175	2 610 924 578	Spring	2	-,-	2	-
176	2 610 924 579	Bolt	2	-,-	2	-
177	2 610 921 481	Screw	2	-,-	4	10
179	2 610 925 376	Table top	2	-,-	1	-
180	2 610 924 951	Guide	3	-,-	1	-
181	2 610 924 584	Wing Nut	3	-,-	4	-
182	2 610 924 958	Trunnion	3	-,-	8	-
183	2 610 924 959	Washer	3	-,-	8	-
184	2 610 924 585	Dust Chamber	3	-,-	1	-
185	2 610 924 960	Screw	3	-,-	2	-
186	2 610 924 961	Nut	3	-,-	2	10
187	2 610 924 963	Washer	3	-,-	2	-
188	2 610 925 000	Label	3	-,-	1	-
189	2 610 925 001	Label	3	-,-	1	-
190	2 610 925 162	Label	3	-,-	1	-
191	2 610 925 163	Base Plate	3	-,-	2	-
192	2 610 924 946	Work Board	3	-,-	1	-
193	2 610 925 197	Knob	3	-,-	4	-
194	2 610 925 198	Knurled Screw	2	-,-	6	-
195	2 610 924 587	Safety Cover	3	-,-	1	-
196	2 610 924 962	Parts Set	3	-,-	1	-
197	2 610 924 948	Insert	3	-,-	1	-
198	2 610 924 969	Parts Set	3	-,-	1	-
199	2 610 924 949	Insert	3	-,-	1	-
200	2 610 924 970	Parts Set	3	-,-	2	-
201	2 610 924 601	Insert	3	-,-	2	-
202	2 610 924 971	Parts Set	3	-,-	1	-
203	2 610 924 596	Insert	3	-,-	1	-
204	2 610 924 594	Reducing Ring	3	-,-	5	-
205	2 610 924 950	Label	3	-,-	2	-
206	2 610 924 972	Switch Unit	2	-,-	1	39
207	2 610 924 955	Nut	2	-,-	2	-
209	2 610 925 002	Cabinet	4	-,-	1	-

Item	Part Number	Description	Illustration	Price	Quantity	Price Group
210	2 610 925 003	Cabinet	4	-,-	1	-
211	2 610 925 036	Plate	4	-,-	1	-
212	2 610 925 004	Dust Chamber	4	-,-	1	-
213	2 610 925 005	Door	4	-,-	1	-
214	2 610 925 006	Supporting foot	4	-,-	1	-
215	2 610 925 007	Support Rail	4	-,-	1	-
217	2 610 925 009	Parts Set	4	-,-	1	-
218	2 610 925 010	Cover	4	-,-	1	-
220	2 610 925 038	Parts Set	4	-,-	1	-
221	2 610 925 039	Handle	4	-,-	1	-
224	2 610 925 164	Label	4	-,-	1	-
225	2 610 925 165	Label	4	-,-	1	-
226	2 610 925 033	Parts Set	4	-,-	1	-
229	2 610 925 186	Screw	2	-,-	2	-
230	2 610 925 187	Nut	2	-,-	2	10
231	2 610 925 188	Washer	2	-,-	4	-
232	2 610 925 294	Washer	3	-,-	1	-
233	2 610 925 281	Label	3	-,-	1	-
234	2 610 925 292	Label	3	-,-	1	-
235	2 610 925 203	Label	3	-,-	1	-
236	2 610 925 204	Label	3	-,-	1	-
240	2 610 925 437	Trunnion	1	-,-	1	-
241	2 610 925 439	Washer	1	-,-	1	-
242	2 610 911 901	Self-locking nut	1	-,-	1	11
243	2 610 925 438	Washer	1	-,-	2	10
650	2 610 912 940	Adjusting Wrench	2	-,-	1	-
651	2 610 996 880	Key	2	-,-	1	17
653	2 610 998 551	Hexagon Socket Screw Key	2	-,-	1	13
655	2 610 924 967	Dust Bag	2	-,-	1	-
662	2 610 924 947	Sander Plate	3	-,-	1	-
810	2 610 909 439	Carbon-Brush Set	1	-,-	1	25
830	2 610 912 944	Pivoting Blade Guard	2	-,-	1	-
860	2 610 924 965	Guide	2	-,-	1	-
867	2 610 912 943	Mitre Gauge	2	-,-	1	-

Illustration - Type E

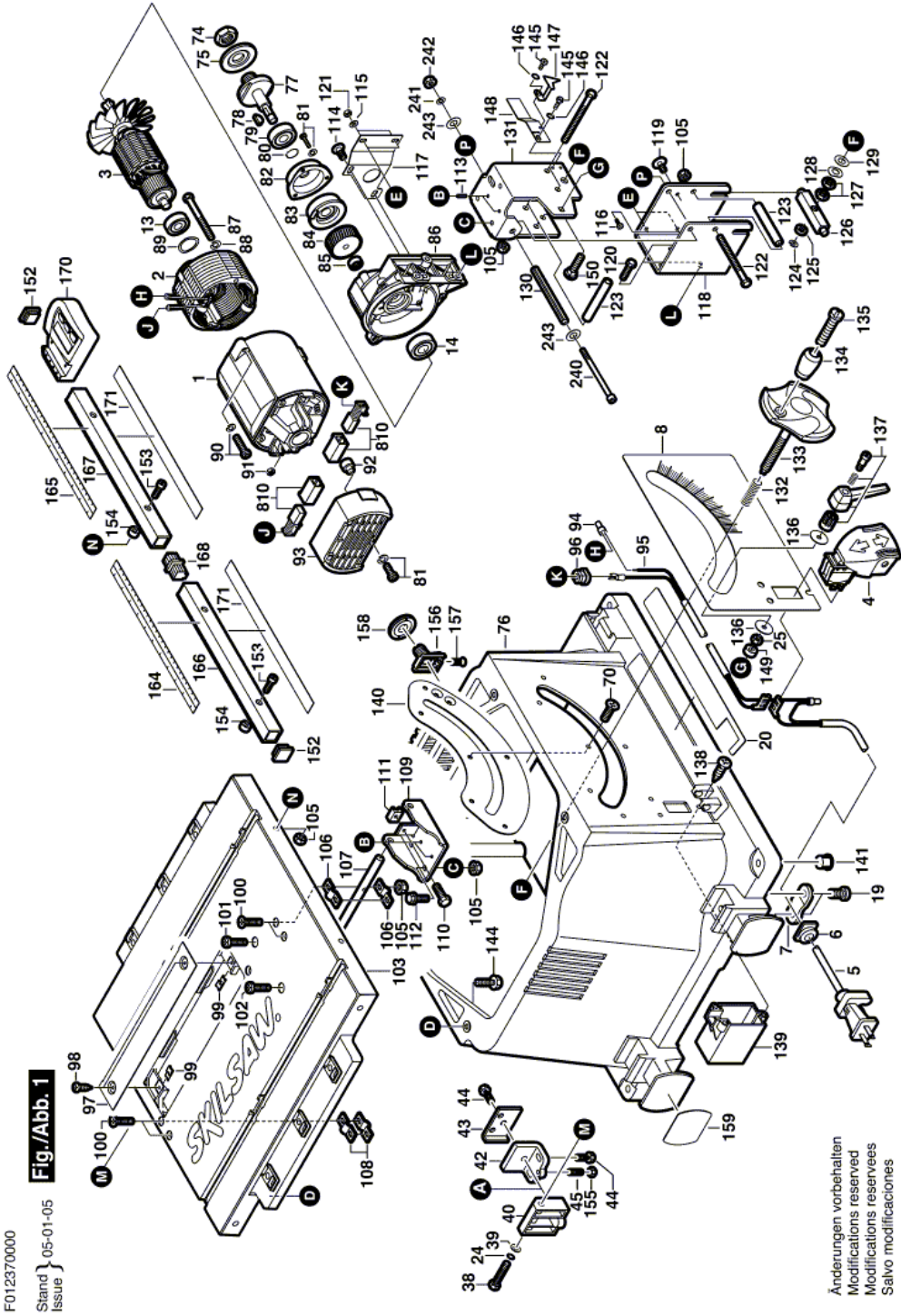


Illustration - Type E

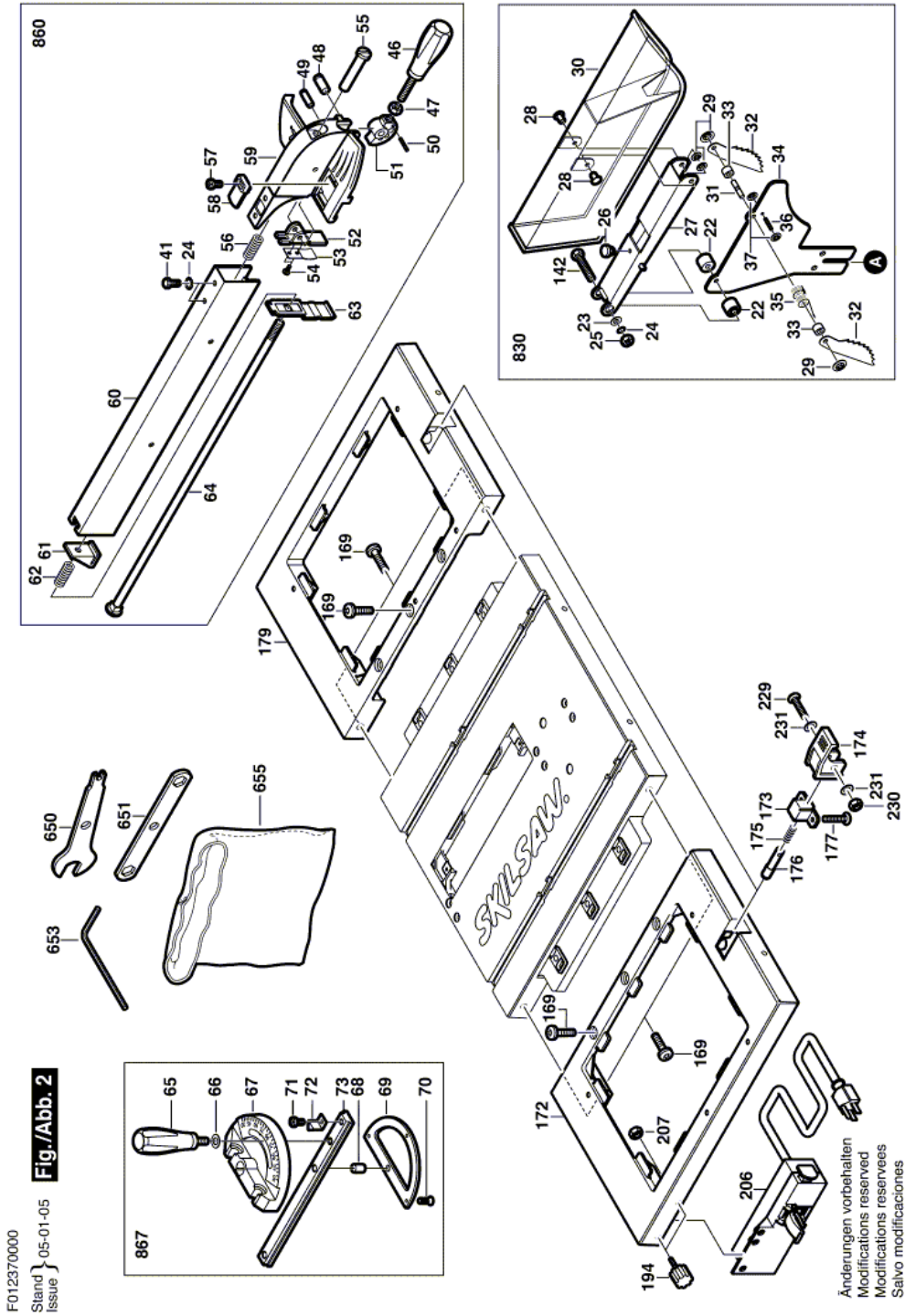


Fig./Abb. 2

F012370000
Stand } 05-01-05
Issue }

Illustration - Type E

