

Cordless Drill Driver - 3 601 H61 S10 - 37618

www.powertools-aftersaleservice.com



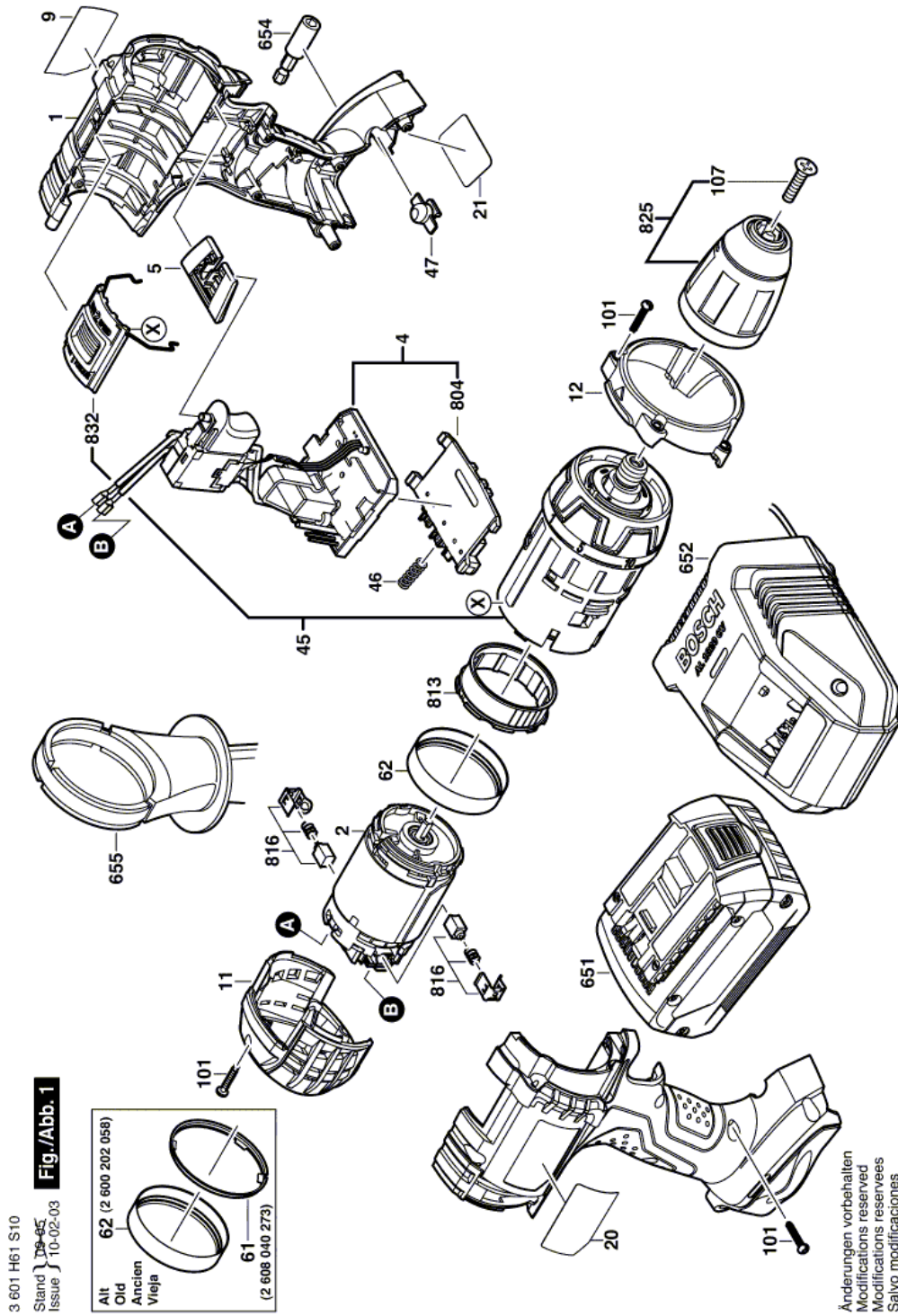
BOSCH

Item	Part Number	Description	Illustration	Price	Quantity	Price Group
	1 2 605 105 140	Housing Section BLUE	1	-,-	1	33
	2 2 607 022 320	DC motor 18V	1	-,-	1	43
	4 1 607 233 332	Electronics Module	1	-,-	1	47
	5 2 601 099 196	Adjusting lever RED	1	-,-	1	11
	9 2 601 115 641	Manufacturer's nameplate	1	-,-	1	14
	11 2 600 508 066	End cap BLACK	1	-,-	1	20
	12 2 600 510 011	Front Cap	1	-,-	1	19
	20 2 601 115 735	Warning Plate	1	-,-	1	15
	21 2 601 115 732	Nameplate USA	1	-,-	1	13
	45 2 606 200 256	Planetary Gear Train	1	-,-	1	48
	46 1 609 280 477	Compression Spring	1	-,-	1	11
	47 2 605 190 895	Lens	1	-,-	1	11
	62 2 600 202 067	Retaining snap ring	1	-,-	1	23
	101 2 603 490 018	Torx Oval-Head Screw 3x18	1	-,-	13	10
	107 2 603 421 229	Countersunk-Head Screw M6x23	1	-,-	1	11
	651 2 607 336 093	Battery Set 18V, 2,6Ah, LI, MS	1	-,-	1	52
	652 2 607 225 327	Charger USA 120/10,8-18V, 30 MIN	1	-,-	1	49
	654 2 610 917 319	Holder	1	-,-	1	-
	655 2 602 025 158	Auxiliary Handle	1	-,-	1	27
	804 1 609 280 478	Contact retainer	1	-,-	1	26
	813 2 600 510 012	Locating ring	1	-,-	1	19
	816 2 607 034 904	Carbon-Brush Set	1	-,-	1	23
	825 2 608 572 902	Keyless Chuck	1	-,-	1	41
	832 2 601 099 213	Adjusting lever	1	-,-	1	19

Product information Cordless Drill Driver - 3 601 H61 S10 - 37618

Product No	3 601 H61 S10
Description	251.119; Cordless Drill Driver
DIN-Text	
ID_Text_Ext	0
Trading_Description	37618
Voltage_1	18 V
ID_Country_Product	USA

Illustration - Type E



Information subject to change without further notice.