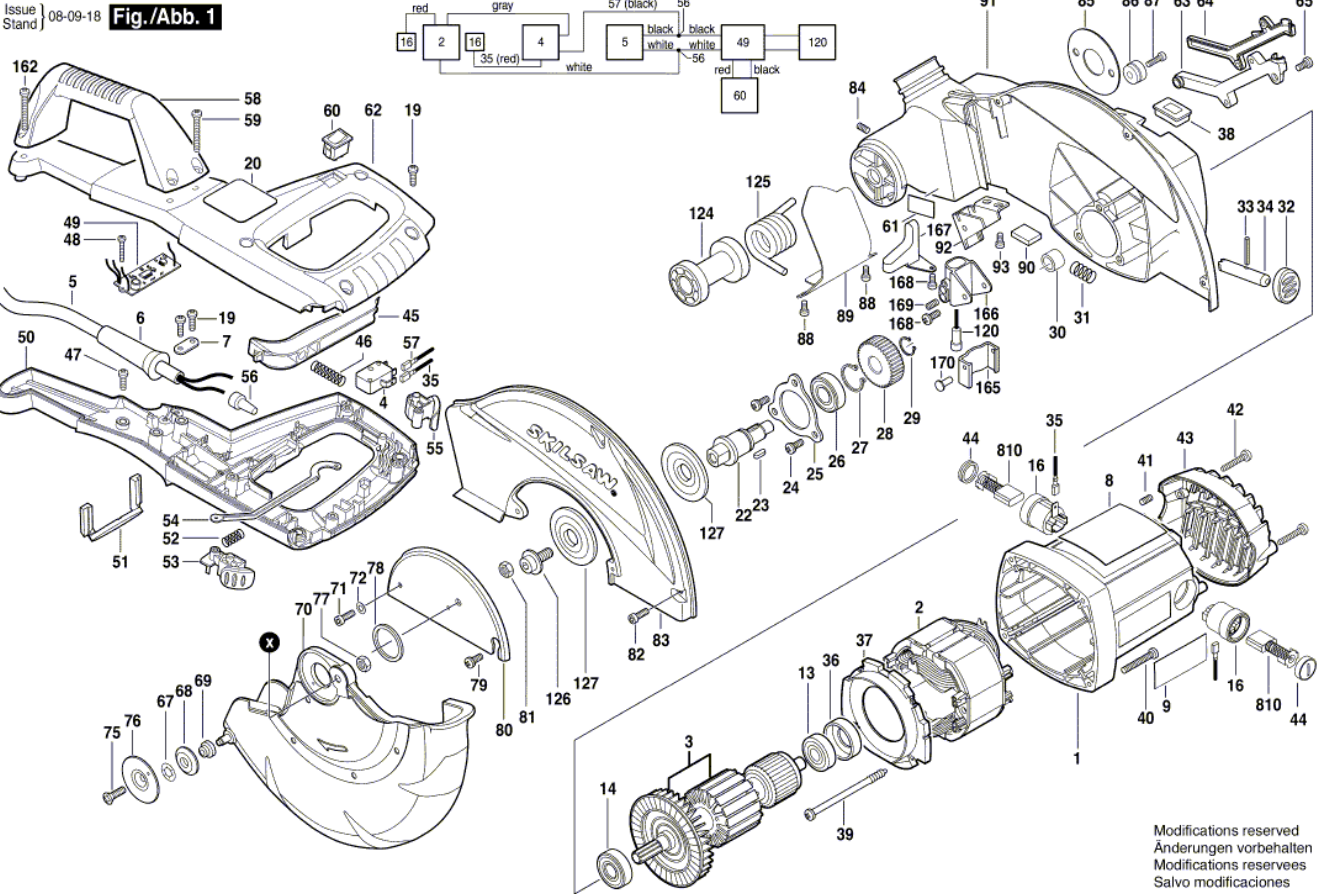


F012 380 002

Issue 08-09-18  
Stand

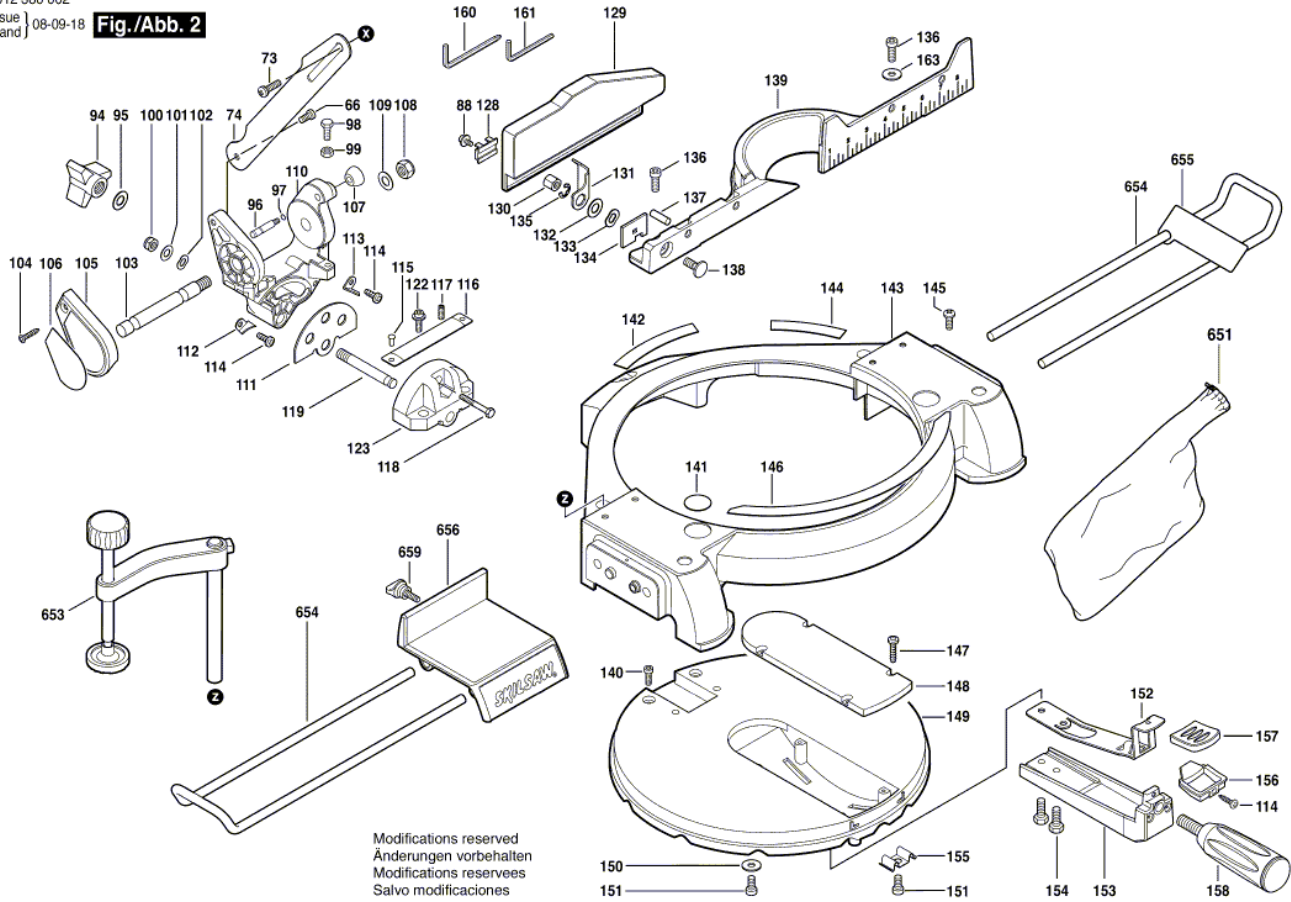
Fig./Abb. 1



Modifications reserved  
Änderungen vorbehalten  
Modifications reserves  
Salvo modificaciones

F012 380 002  
 Issue | 08-09-18  
 Stand |

**Fig./Abb. 2**



Modifications reserved  
 Änderungen vorbehalten  
 Modifications reserves  
 Salvo modificaciones

Pos.	Part Number	Description	Pos.	Part Number	Description
1	2 610 946 115	Motor Housing	66	2 610 946 166	Screw
2	2 610 946 116	Field	67	2 610 990 521	Spring retaining ring
3	2 610 946 117	Armature	68	2 610 990 518	Roller
4	2 610 946 118	Mains switch	69	2 610 990 522	Bearing
5	2 610 946 119	Cord	70	2 610 946 167	Protection
6	2 610 946 120	Grommet	71	2 610 946 168	Screw
7	2 610 946 121	Clamp	72	2 610 946 169	Spring Washer
8	2 610 956 202		73	2 610 946 170	Screw
9	2 610 946 123	Label	74	2 610 946 171	Lever
13	2 615 302 979	Ball Bearing	75	2 610 946 172	Screw
14	2 610 946 125	Ball Bearing	76	2 610 946 173	Collar
16	2 610 946 126	Brush Holder	77	2 610 355 332	Square Nut
19	2 610 946 127	Screw	78	2 610 946 174	Spring
20	2 610 946 128	Warning Label	79	2 610 355 278	Screw
22	2 610 946 129	Shaft	80	2 610 946 175	Cover
23	2 610 946 130	Pin	81	2 615 303 042	Nut
24	2 610 922 625	Screw	82	2 610 946 176	Screw
25	2 610 946 131	Plate	83	2 610 946 177	Cover
26	2 610 946 132	Ball Bearing	84	2 610 946 178	Screw
27	2 610 946 133	Retaining clip	85	2 610 946 179	Shim
28	2 610 946 134	Conversion Gear	86	2 610 946 180	Bushing
29	2 610 946 135	Retaining clip	87	2 610 946 181	Trunnion
30	2 610 946 136	Needle-Roller Bearing	88	2 610 946 182	Screw
31	2 610 910 770	Spring	89	2 610 946 183	Cover
32	2 610 946 137	Cover	90	2 610 946 184	Pad
33	2 610 946 138	Pin	91	2 610 946 185	Pivoting Blade Guard
34	2 610 946 139	Locking Pin	92	2 610 001 550	
35	2 610 946 140	Lead Wire	93	2 615 303 040	Screw
36	2 610 946 141	Rubber Bushing	94	2 610 001 551	
37	2 610 946 142	Baffle	95	2 610 946 189	Washer
38	2 610 946 143	Grommet	96	2 610 946 190	Pin
39	2 610 946 144	Screw	97	2 610 946 191	O-Ring
40	2 610 946 145	Screw	98	2 610 946 192	Trunnion
41	2 610 355 295	Screw	99	2 610 912 549	Hex Nut
42	2 610 912 552	Screw	100	2 610 946 193	Nut
43	2 610 946 146	Housing Cover	101	2 610 946 194	Washer
44	2 610 911 487	Cover	102	2 610 355 264	Washer
45	2 610 946 147	Trigger	103	2 610 946 195	Shaft
46	2 610 910 758	Spring	104	2 610 946 196	Screw
47	2 610 946 148	Screw	105	2 610 946 197	Cover
48	2 610 946 149	Screw	106	2 610 956 203	
49	2 610 001 742		107	2 610 946 199	Knob
50	2 610 946 151	Handle	108	2 610 946 200	Nut
51	2 610 001 549		109	2 610 946 201	Washer
52	2 610 946 153	Compression Spring	110	2 610 946 202	Support bracket
53	2 610 946 154	Button	111	2 610 946 203	Slide Plate
54	2 610 946 155	Lever	112	2 610 946 204	Pointer
55	2 610 946 156	Button	113	2 610 946 205	Pointer
56	2 610 946 157	Terminal	114	2 610 911 466	Screw
57	2 610 946 158	Lead Wire	115	2 610 355 300	Screw
58	2 610 946 159	Handle	116	2 610 946 206	Scale
59	2 610 946 160	Screw	117	2 610 946 207	Screw
60	2 610 946 161	Mains switch	118	2 610 946 208	Trunnion
61	2 610 946 162	Warning Label	119	2 610 946 209	Pivot Shaft
62	2 610 946 163	Handle	120	2 610 956 204	
63	2 610 946 164	Housing Half	122	2 610 946 212	Screw
64	2 610 946 165	Housing Half	123	2 610 946 213	Support
65	2 610 946 187	Screw	124	2 610 946 214	Sleeve

Pos.	Part Number	Description	Pos.	Part Number	Description
125	2 610 001 552				
126	2 610 946 216	Trunnion			
127	2 610 946 217	Flange			
128	2 610 946 218	Holder			
129	2 610 946 219	Sliding Plate			
130	2 610 967 439	Nut			
131	2 610 946 220	Lever			
132	2 610 946 221	Washer			
133	2 610 358 439	Plain Washer			
134	2 610 946 222	Plate			
135	2 610 967 438	Spring retaining ring			
136	2 610 946 223	Trunnion			
137	2 610 946 224	Pin			
138	2 610 992 372	Stud bolt			
139	2 610 946 225	Mitre Fence			
140	2 610 946 226	Screw			
141	2 610 946 227	Warning Label			
142	2 610 946 228	Warning Label			
143	2 610 946 229	Base			
144	2 610 946 230	Warning Label			
145	2 610 946 231	Screw			
146	2 610 946 232	Scale			
147	2 610 946 233	Screw			
148	2 610 946 234	Insert			
149	2 610 946 235	Table			
150	2 610 946 236	Washer			
151	2 610 946 237	Screw			
152	2 610 946 238	Spring			
153	2 610 946 239	Arm Bracket			
154	2 610 922 091	Screw			
155	2 610 946 240	Plate			
156	2 610 946 241	Indicator			
157	2 610 946 242	Sleeve			
158	2 610 946 243	Handle			
160	2 610 946 245	Hexagon Socket Wrench			
161	2 615 303 046	Hexagon Socket Wrench			
162	2 610 946 246	Screw			
163	2 610 302 311	Washer			
165	2 610 001 553				
166	2 610 001 554				
167	2 610 001 555				
168	2 610 001 652				
169	2 610 001 653				
170	2 610 001 741				
651	2 610 944 564	Dust Bag			
653	2 610 944 566	Clamp			
654	2 610 944 567	Extension Shaft			
655	2 610 944 568	Stop Block			
656	2 610 944 569	Table			
659	2 610 944 572	Knob			
810	2 610 993 231	Carbon-Brush Set			