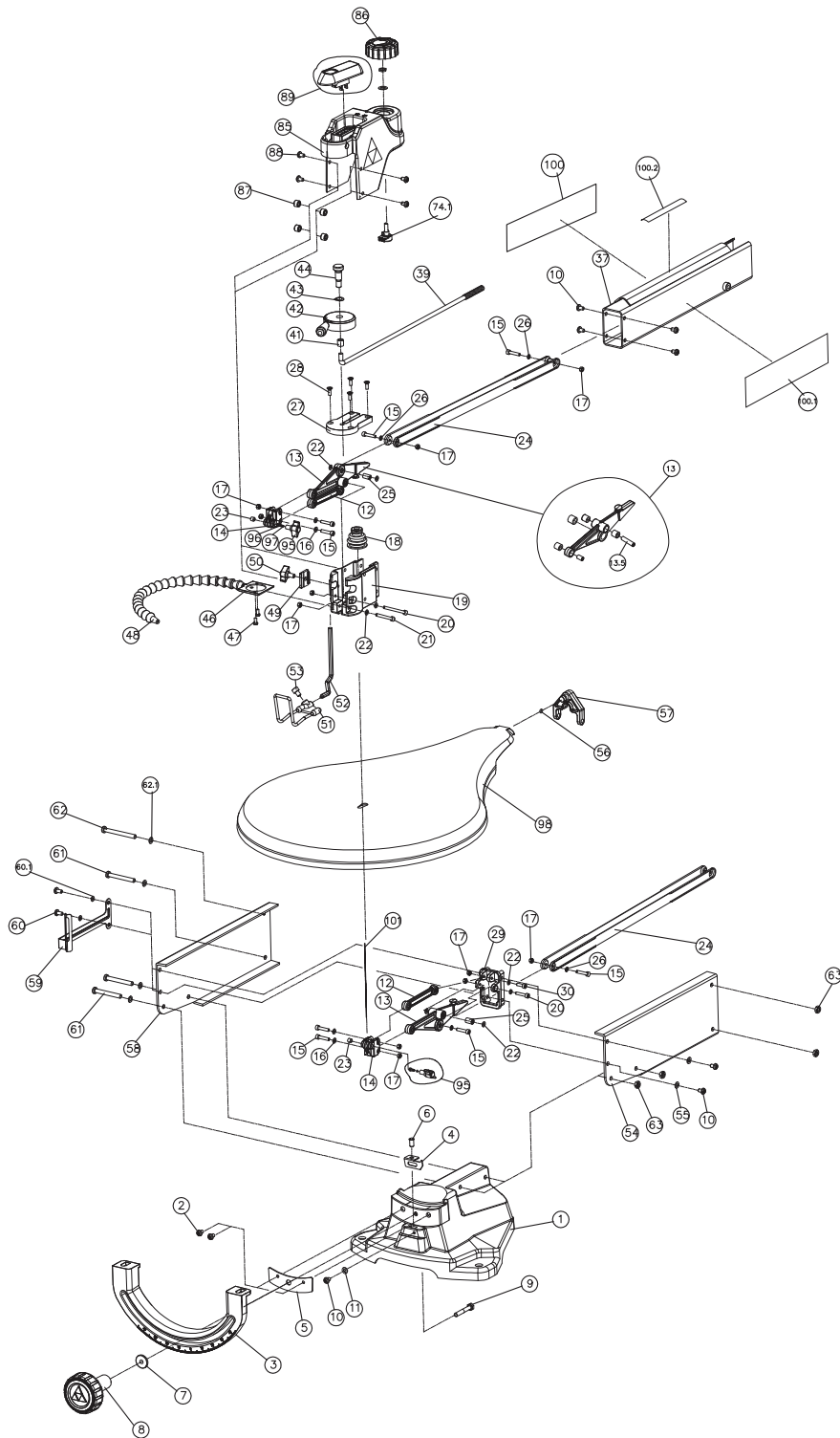




POWER EQUIPMENT CORPORATION

SS-15  
PART # DPEC002272  
DATE: 9-11-13

# 20 IN. VARIABLE SPEED SCROLL SAW

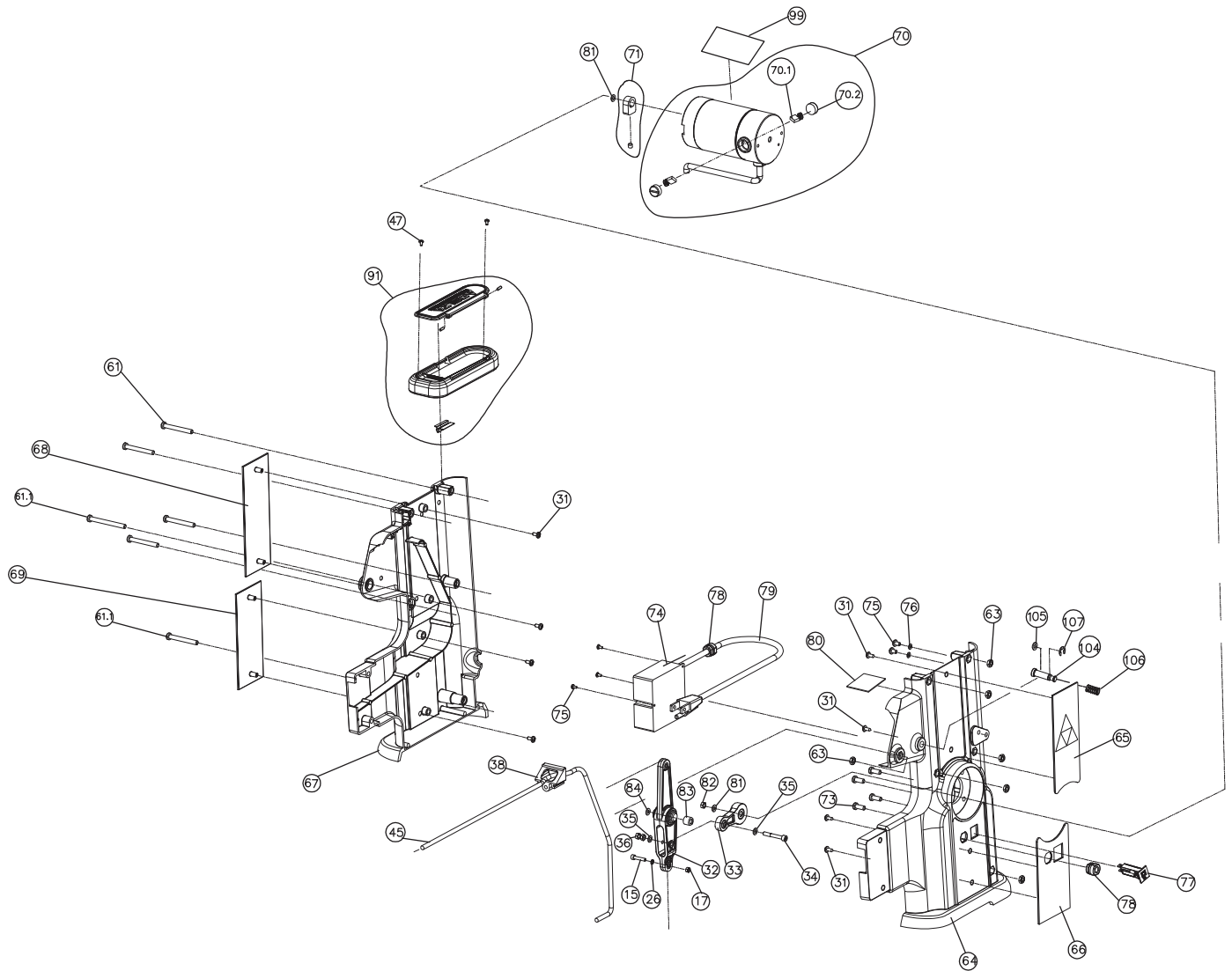




POWER EQUIPMENT CORPORATION

SS-15  
PART # DPEC002272  
DATE: 9-11-13

# 20 IN. VARIABLE SPEED SCROLL SAW



## REPLACEMENT PARTS

ITEM NO.	ILUST NO.	DELTA PART NO.	DESCRIPTION	QTY	ITEM NO.	ILUST NO.	DELTA PART NO.	DESCRIPTION	QTY
1	1	DPEC002105	FRONT BASE	1	31	2	DPEC002137	SCREW M4 X 8L	8
2	1	DPEC002106	SCREW M4 X 10 L	2	32	2	DPEC002138	VERTICAL ROCKER ASSM. (INCL. 19, 38, 2)	1
3	1	DPEC002107	TRUNNION	1	33	2	DPEC002139	CONNECTING ROD ASSY (INCL 27, 28, 82, 120)	1
4	1	DPEC002108	ZERO INDICATOR ASSEMBLY	1					
5	1	DPEC002109	PAD SUS 1.5 T	1	33.3	2	DPEC002140	SLEEVE	1
6	1	DPEC002110	POSITIONING BALL	1	34	2	DPEC002141	SCREW M5 X 35 L	1
7	1	DPEC002111	SPACER	1	35	2	DPEC002142	THRUST WASHER M5	2
8	1	DPEC002112	KNOB	1	36	2	DPEC002143	NUT M5	2
9	1	DPEC002113	BOLT M6 X 40 L	1	37	1	DPEC002144	TOP ARM	1
10	1	DPEC002114	SCREW M5 X 8L	7	38	2	DPEC002145	TENSION WEDGE	1
11	1	DPEC002115	FLAT WASHER M5	1	39	1	DPEC002146	DRAW ROD	1
12	1	DPEC002116	STRUT ASSEMBLY (INCL. 38 X 2)	2	41	1	DPEC002147	SLEEVE BEARING	1
12.3	1	DPEC002117	SLEEVE (SHORT)	8	42	1	DPEC002148	TENSION CAM	1
13	1	DPEC002118	FRONT ROCKER ASSM. (INCL 38, 38, 122)	2	43	1	DPEC002149	WAVY WASHER 10 ID X 15 OD X 3T1	
					44	1	DPEC002150	SCREW	1
13.5	1	DPEC002119	SLEEVE (LONG)	2	45	2	DPEC002151	WIRE HARNESS	1
14	1	DPEC002120	BLADE CHUCK	2	46	1	DPEC002152	AIR PUMP CAMP	1
15	1	DPEC002121	SCREW M4 X 20 L	8	47	1 & 2	DPEC002153	SCREW M4 X 8 L	4
16	1	DPEC002122	FLAT WASHER M8	4	48	1	DPEC002154	AIR NOZZLE	1
17	1	DPEC002123	LOCK NUT M4	12	49	1	DPEC002155	CLAMP	1
18	1	DPEC002124	BELLOWS	1	50	1	DPEC002156	THUMP SCREW	1
19	1	DPEC002125	TOP ROCKER MOUNT	1	51	1	DPEC002157	FOOT	1
20	1	DPEC002126	SCREW M4 X 40 L	2	52	1	DPEC002158	BAR	1
21	1	DPEC002127	SCREW M4 X 30 L	1	53	1	DPEC002159	SCREW M6 X 8L	1
22	1	DPEC002128	FLAT WASHER M4	8	54	1	DPEC002160	BOTTOM ARM	1
23	1	DPEC002129	SET SCREW M6 X 6 L	2	55	1	DPEC002161	FLAT WASHER M5	2
24	1	DPEC002130	DRIVE LINK	2	56	1	DPEC002162	O-RING P6	1
25	1	DPEC002131	SLEEVE	2	57	1	DPEC002163	REAR TABLE MOUNT (INCL. 104)	1
26	1	DPEC002132	THRUST WASHER M4	4	58	1	DPEC002164	BOTTOM ARM (LEFT)	1
27	1	DPEC002133	LID	1	59	1	DPEC002165	LOWER GUARD	1
28	1	DPEC002134	SCREW M4 X 12 L	4	60	1	DPEC002166	SCREW M5 X 10 L	2
29	1	DPEC002135	BOTTOM ROCKER MOUNT	1	60.1	1	DPEC002167	EXTERNAL TOOTH WASHER M5	2
30	1	DPEC002136	SCREW M4 X 25 L	1	61	1 & 2	DPEC002168	SCREW M6 X 50 L	7

## REPLACEMENT PARTS

ITEM NO.	ILUST NO.	DELTA PART NO.	DESCRIPTION	QTY	ITEM NO.	ILUST NO.	DELTA PART NO.	DESCRIPTION	QTY
61.1	1 & 2	DPEC002169	SCREW M6 X 63 L	2	89	1	DPEC002201	ON / OFF SWITCH	1
62	1	DPEC002170	SCREW M6 X 60 L	1	91	2	DPEC002202	BLADE BOX ASSY	1
62.1	1	DPEC002171	EXTERNAL TOOTH WASHER M6	4	95	1	DPEC002203	BLADECLAMPKNOBASSY (INCLUDES ITEMS 96 AND 97)	2
63	1 & 2	DPEC002172	LOCK NUT M6	10	98	1	DPEC002204	TABLE	1
64	2	DPEC002173	HOUSING (RIGHT)	1	99	2	DPEC002205	NAME PLATE	1
65	2	DPEC002174	LABEL UPPER RIGHT	1	100	1	DPEC002206	IDENTIFICATION PLATE	1
66	2	DPEC002175	LABEL LOWER RIGHT	1	100.1	1	DPEC002207	WARNING LABEL	1
67	2	DPEC002176	HOUSING (LEFT)	1	100.2	1	DPEC002208	WARNING LABEL	1
68	2	DPEC002177	LABEL UPPER LEFT	1	101	1	DPEC002209	BLADE ASSY	1
69	2	DPEC002178	LABEL LOWER LEFT	1	104	2	DPEC002213	PIN,LOCKING	1
70	2	DPEC002179	MOTOR ASSEMBLY	1	105	2	DPEC002214	FLAT WASHER 9.5 OD X 16 ID X 1 T	1
70.1	2	DPEC002180	BRUSH	2	106	2	DPEC002215	SPRING 10 DIA	1
70.2	2	DPEC002181	BRUSH CAP	2	107	2	DPEC002216	E-RING E7	1
71	2	DPEC002183	COUNTERWEIGHT (INCL. 97)	1					
72	2	DPEC002184	SET SCREW M6 X 8 L	1					
73	2	DPEC002185	SCREW M6 X 15L	4					
74	1	DPEC002186	CIRCUIT BOARD & POTENTIOMETER	1					
75	2	DPEC002187	SCREW M4 X 6 L	5					
76	2	DPEC002188	EXTERNAL TOOTH WASHER M4	3					
77	2	DPEC002189	CIRCUIT BREAKER 3A 250V. ROHS	1					
78	2	DPEC002190	STRAIN RELIEF	2					
79	2	DPEC002191	CORD & PLUG 18-3SJ	1					
80	2	DPEC002192	RAMP INSERT	1					
81	2	DPEC002193	FLAT WASHER SUS M8	2					
82	2	DPEC002194	NUT M8	1					
83	2	DPEC002195	PIVOT ROD	1					
84	2	DPEC002196	WAVY WASHER 14 ID X 20 OD X 0.3 T	1					
85	1	DPEC002197	HOUSING	1					
86	1	DPEC002198	SPEED CONTROL KNOB	1					
87	1	DPEC002199	SPACER	4					
88	1	DPEC002200	SCREW M5 X 15 L	4					